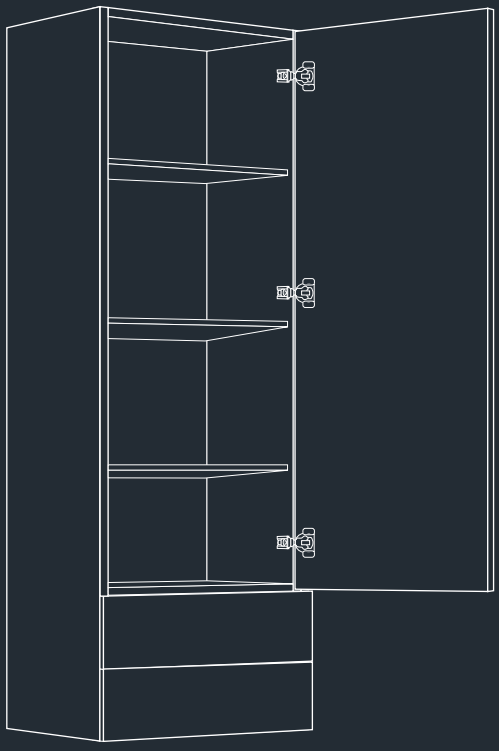




May  
**2026**



# Product Spec Book

America's Best Value In Cabinetry®

---

# Dear CNC Value Partner,

CNC was founded on the idea of making kitchen cabinets more accessible to all, by offering the ultimate value in design, quality and price.

For over three decades now, we at CNC have been providing kitchen and bath dealers and the customers they serve throughout the United States with the ultimate value in kitchen cabinets, countertops, and bathroom vanities. Rather than tossing about meaningless boardroom phrases, we set out to define just what exactly value means.

For us, value means ordering high-quality products at affordable prices. Value means being able to offer a vast, ever-expanding selection of progressively designed door styles. Value means providing lightning-quick turnaround times. Value means giving someone the ability to talk to a real person who understands your needs.

Our motto, "America's Best Value in Cabinetry", reflects our commitment to you, our customer. We provide this value nationally through our many locations across the country. This strategy not only ensures efficiency in delivery but also emphasizes our nationwide accessibility.

This is the core of CNC - a company built on providing our customers with the ultimate value in design, quality, and service. Our cabinets create a comfortable and personalized living space, transforming your house into a home. Please pursue the accompanying material to get to know us, and how we can service you.

Thank you for choosing CNC Cabinetry.



**Nathan Indig**

CEO, CNC Cabinetry

# New Additions

## Price Codes:

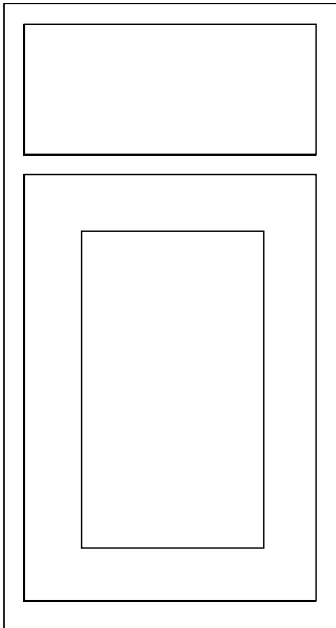
\*Please note following updated price codes

Luxor	Bedford	Concord	Classic	Alvic	Vanguard
L / T / Z	R / S	A / B / C / D / M / N / O / P	E / F / G / H / I	J / K	V

## New Door Styles

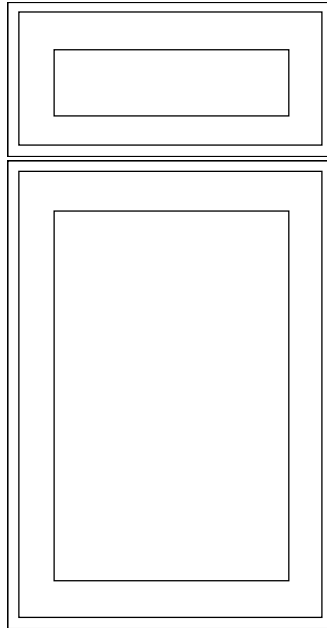
### BEDFORD

BY CNC CABINETRY



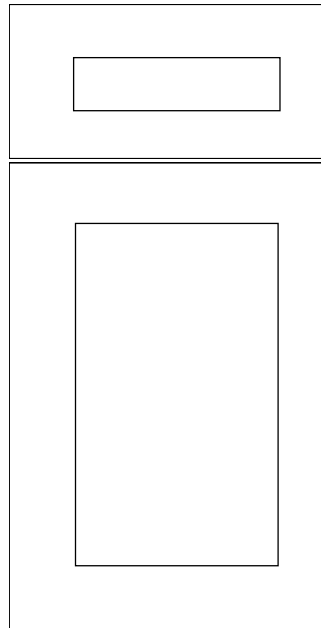
### LUXOR

BY CNC CABINETRY

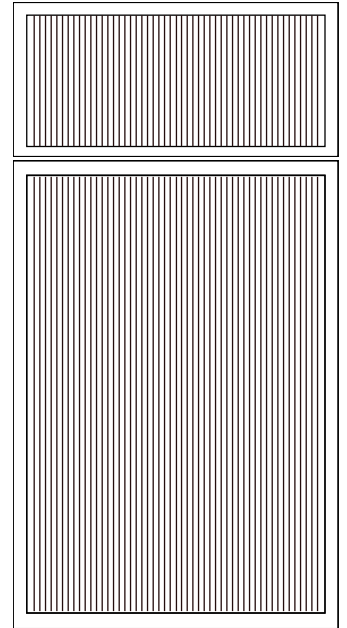


### Classic

BY CNC CABINETRY



### Upgrades



### Dover

Door Style: Shaker

Overlay: Standard Overlay

Price Code: S

### Glencove

Door Style: Shaker

Overlay: Full Overlay

Price Code: T

### Woodbourne

Door Style: Shaker

Overlay: Frameless

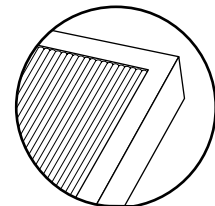
Price Code: G, H, I

\* Available with extended lead time

### Reeded Panel

Door/Drawer Insert

Available as an upgrade in  
Newport & Versailles



# New Finishes:

Color Name	Finish	Collection(s)
07 - Saddle	Stain	Bedford (Dover), Luxor (Glencove)
202 - Wheat	Stain	Concord (Sydney, Newport), Classic (Versailles, Woodbourne)

# New Display Items:

Item	SKU
Full set of 6x6 color chips	DISP-CB6-SET
Full set of Alvic Luxe samples	DISP-ALL-CB3x5
Full set of Alvic Synchron samples	DISP-ALS-CB3x5
Full set of Alvic Zenit samples	DISP-ALZ-CB3x5
Display Center	DISP-CENTER-CON-LUX
Display Center	DISP-CENTER-MIX
Display Center	DISP-CENTER-CLS
Bedford Collection Catalog	DISP-BEDCAT
Luxor Collection Catalog	DISP-LUXCAT
Concord Collection Catalog	DISP-CONCAT
Classic Collection Catalog	DISP-CLASCAT
Vibe Brochure	DISP-VIBEB
Wire Rack Door Display	DISP-RACK

# Plus Program

Color Name	Finish	Collection(s)
101 - Sleek White*	Paint	Concord, Classic
102 - Linen*	Paint	Concord, Classic
103 - Sahara*	Paint	Concord, Classic
104 - Mountain Stream*	Paint	Concord, Classic
105 - Adirondack Blue*	Paint	Concord, Classic
106 - Sage*	Paint	Concord, Classic
107 - Evergreen*	Paint	Concord, Classic
108 - Rumors*	Paint	Concord, Classic
109- Cracked Pepper*	Paint	Concord, Classic
110 - Jet Black*	Paint	Concord, Classic
200 - Ale	Stain	Concord (Sydney, Newport), Classic (Versailles, Woodbourne)
201 - Bourbon	Stain	Concord (Sydney, Newport), Classic (Versailles, Woodbourne)
202 - Wheat	Stain	Concord (Sydney, Newport), Classic (Versailles, Woodbourne)

\*Finishes not available in the Park Ave, Milano or Broadway doors.

# New Items

Item	SKU	Collection(s)
Wall Countertop Cabinet	CT1848	Concord, Classic
Wall Countertop Cabinet	CT1854	Concord, Classic
Wall Countertop Cabinet	CT1860	Concord, Classic
4-Drawer Base Cabinet	DB12-4	Concord, Classic
4-Drawer Base Cabinet	DB15-4	Concord, Classic
4-Drawer Base Cabinet	DB18-4	Concord, Classic
4-Drawer Base Cabinet	DB21-4	Concord, Classic
4-Drawer Base Cabinet	DB24-4	Concord, Classic
Wall Cabinet	2715	Concord, Classic
Wall Cabinet	2718	Concord, Classic
Square Corner Wall Cabinet	WSQ2415	Concord, Classic
Square Corner Wall Cabinet	WSQ2418	Concord, Classic
Wall Open Cabinet	WOC1830	Concord, Classic
Wall Open Cabinet	WOC1836	Concord, Classic
Wall Open Cabinet	WOC1842	Concord, Classic
Wall Open Cabinet	WOC3030	Concord, Classic
Wall Open Cabinet	WOC3036	Concord, Classic
Wall Open Cabinet	WOC3042	Concord, Classic
Bookcase Cabinet	BCC1854	Concord, Classic
Bookcase Cabinet	BCC1860	Concord, Classic
Bookcase Cabinet	BCC3054	Concord, Classic
Bookcase Cabinet	BCC3060	Concord, Classic
Light Rail Molding 2	LTRM2	Luxor, Concord, Classic
Light Rail Molding 3	LTRM3	Luxor, Concord, Classic
Modern Wood Hood	WHM30	Concord, Classic
Modern Wood Hood	WHM36	Concord, Classic
Base Cabinet With A Single Df	B30-SDF	Concord, Classic
Base Cabinet With A Single Df	B30-SDF-POS1	Concord, Classic
Base Cabinet With A Single Df	B30-SDF-POS2	Concord, Classic
Base Cabinet With A Single Df	B33-SDF	Concord, Classic
Base Cabinet With A Single Df	B33-SDF-POS1	Concord, Classic
Base Cabinet With A Single Df	B33-SDF-POS2	Concord, Classic
Base Cabinet With A Single Df	B36-SDF	Concord, Classic
Base Cabinet With A Single Df	B36-SDF-POS1	Concord, Classic
Base Cabinet With A Single Df	B36-SDF-POS2	Concord, Classic
Sink Base Cabinet With A Single Df	SB30-SDF	Concord, Classic
Pocket Door	PD3648	Classic (Broadway & Milano)
Pocket Door	PD3654	Classic (Broadway & Milano)
Pocket Door	PD3660	Classic (Broadway & Milano)
Pocket Door	PDB3648L	Classic (Broadway & Milano)
Pocket Door	PDB3648R	Classic (Broadway & Milano)
Pocket Door	PDB3654L	Classic (Broadway & Milano)
Pocket Door	PDB3654R	Classic (Broadway & Milano)
Pocket Door	PDB3660L	Classic (Broadway & Milano)
Pocket Door	PDB3660R	Classic (Broadway & Milano)

Item	SKU	Collection(s)
Sink Base Cabinet With A Single Df	SB30-SDF-HR	Concord, Classic
Sink Base Cabinet With A Single Df	SB30-SDF-TOT	Concord, Classic
Sink Base Cabinet With A Single Df	SB33-SDF	Concord, Classic
Sink Base Cabinet With A Single Df	SB33-SDF-HR	Concord, Classic
Sink Base Cabinet With A Single Df	SB33-SDF-TOT	Concord, Classic
Sink Base Cabinet With A Single Df	SB36-SDF	Concord, Classic
Sink Base Cabinet With A Single Df	SB36-SDF-HR	Concord, Classic
Sink Base Cabinet With A Single Df	SB36-SDF-TOT	Concord, Classic
Full Height Base Cabinet With Drawer	B12-FH,POD	Concord, Classic
Full Height Base Cabinet With Drawer	B12-FH-POS1,POD	Concord, Classic
Full Height Base Cabinet With Drawer	B12-FH-POS2,POD	Concord, Classic
Full Height Base Cabinet With Drawer	B15-FH,POD	Concord, Classic
Full Height Base Cabinet With Drawer	B15-FH-POS1,POD	Concord, Classic
Full Height Base Cabinet With Drawer	B15-FH-POS2,POD	Concord, Classic
Full Height Base Cabinet With Drawer	B18-FH,POD	Concord, Classic
Full Height Base Cabinet With Drawer	B18-FH-POS1,POD	Concord, Classic
Full Height Base Cabinet With Drawer	B18-FH-POS2,POD	Concord, Classic
Full Height Base Cabinet With Drawer	B21-FH,POD	Concord, Classic
Full Height Base Cabinet With Drawer	B21-FH-POS1,POD	Concord, Classic
Full Height Base Cabinet With Drawer	B21-FH-POS2,POD	Concord, Classic
Full Height Base Cabinet With Drawer	B24-FH,POD	Concord, Classic
Full Height Base Cabinet With Drawer	B24-FH-POS1,POD	Concord, Classic
Full Height Base Cabinet With Drawer	B24-FH-POS2,POD	Concord, Classic
Full Height Base Cabinet With Drawer	B27-FH,POD	Concord, Classic
Full Height Base Cabinet With Drawer	B27-FH-POS1,POD	Concord, Classic
Full Height Base Cabinet With Drawer	B27-FH-POS2,POD	Concord, Classic
Full Height Base Cabinet With Drawer	B30-FH,POD	Concord, Classic
Full Height Base Cabinet With Drawer	B30-FH-POS1,POD	Concord, Classic
Full Height Base Cabinet With Drawer	B30-FH-POS2,POD	Concord, Classic
Full Height Base Cabinet With Drawer	B33-FH,POD	Concord, Classic
Full Height Base Cabinet With Drawer	B33-FH-POS1,POD	Concord, Classic
Pantry Cabinet	PC1524x84	Classic (Broadway & Milano)
Pantry Cabinet	PC1524X90	Classic (Broadway & Milano)
Pantry Cabinet	PC1524X96*	Classic (Broadway & Milano)
Pantry Cabinet	PC1824X84	Classic (Broadway & Milano)
Pantry Cabinet	PC1824X90	Classic (Broadway & Milano)
Pantry Cabinet	PC1824X96	Classic (Broadway & Milano)
Pantry Cabinet	PC2424X84	Classic (Broadway & Milano)
Pantry Cabinet	PC2424X90	Classic (Broadway & Milano)
Pantry Cabinet	PC2424X96	Classic (Broadway & Milano)
Pantry Cabinet	PC3024X84	Classic (Broadway & Milano)
Pantry Cabinet	PC3024X90	Classic (Broadway & Milano)
Pantry Cabinet	PC3024X96	Classic (Broadway & Milano)

# New Items

Item	SKU	Collection(s)
Full Height Base Cabinet With Drawer	B33-FH-POS2,POD	Concord, Classic
Full Height Base Cabinet With Drawer	B36-FH,POD	Concord, Classic
Full Height Base Cabinet With Drawer	B36-FH-POS1,POD	Concord, Classic
Full Height Base Cabinet With Drawer	B36-FH-POS2,POD	Concord, Classic
Full Height Base Cabinet With Drawer	B42-FH,POD	Concord, Classic
Full Height Base Cabinet With Drawer	B42-FH-POS1,POD	Concord, Classic
Full Height Base Cabinet With Drawer	B42-FH-POS2,POD	Concord, Classic
Full Height Base Cabinet With Drawer	B48-FH,POD	Concord, Classic
Full Height Base Cabinet With Drawer	B48-FH-POS2,POD	Concord, Classic
Full Height Base Cabinet With Drawer	B48-FH-POS4,POD	Concord, Classic
Full Height Base Cabinet With Drawer	B9L-FH,POD	Concord, Classic
Full Height Base Cabinet With Drawer	B9R-FH,POD	Concord, Classic
Glass Shelves 3pcs With Clips For A 12" Cabinet	PRT-GLS-SHELF-12	Concord, Classic
Glass Shelves 3pcs With Clips For A 15" Cabinet	PRT-GLS-SHELF-15	Concord, Classic
Glass Shelves 3pcs With Clips For A 18" Cabinet	PRT-GLS-SHELF-18	Concord, Classic
Glass Shelves 3pcs With Clips For A 24" Cabinet	PRT-GLS-SHELF-24	Concord, Classic
Glass Shelves 3pcs With Clips For A 30" Cabinet	PRT-GLS-SHELF-30	Concord, Classic
Glass Shelves 3pcs With Clips For A 36" Cabinet	PRT-GLS-SHELF-36	Concord, Classic
Tall Filler 10 Foot	F3120	Luxor, Concord, Classic
Tall Filler 10 Foot	F6120	Luxor, Concord, Classic
Toe Kick End Cap	TKS-CAP	Luxor, Concord, Classic
3/4" Toe Kick	TKS.75	Luxor, Concord, Classic
2-Drawer Base Cabinet, Pull Out Drawer	DB24-2-POD	Concord, Classic
2-Drawer Base Cabinet, Pull Out Drawer	DB30-2-POD	Concord, Classic
2-Drawer Base Cabinet, Pull Out Drawer	DB33-2-POD	Concord, Classic
2-Drawer Base Cabinet, Pull Out Drawer	DB36-2-POD	Concord, Classic

# Custom Items

Item	SKU	Collection(s)
Custom Aluminum Frame Glass Doors	DR-CUS	Classic
Custom Door	DR-CUS	Concord, Classic
Custom Base Cabinet	CAB-CUS-BASE	Concord, Classic
Custom Wall Cabinet	CAB-CUS-WALL	Concord, Classic
Custom Tall Cabinet	CAB-CUS-TALL	Concord, Classic
Custom Hood	CAB-CUS-HOOD	Concord, Classic

# New Modifications

Item	SKU	Collection(s)
Broom Divider	CT-BROOM-DIVIDER	Concord, Classic
Remove Cabinet Floor	CT-CUT-FLOOR	Concord, Classic

# Discontinuations:

Item	SKU	Collection(s)
All Concord RTA	N/A	Concord
Post	POST-P	Concord
Post	POST-F	Concord
Post	POST-P-CR	Concord
Post	POST-F-CR	Concord
Spindle	SPIN-P-30	Concord
Spindle	SPIN-P-36	Concord
Spindle	SPIN-P-42	Concord
Spindle	SPIN-F-30	Concord
Spindle	SPIN-F-36	Concord
Spindle	SPIN-F-42	Concord
Corbel	CBO6	Concord
Corbel	CBO9	Concord
Corbel	CBO13	Concord
Corbel	CBM6	Concord
Corbel	CBM9	Concord
Corbel	CBM13	Concord
Vanguard Indigo	VG26	Vanguard
Vanguard Dove	VG22	Vanguard
Vanguard Espresso	VG11	Vanguard
Surelle Bianca	SL30	Surelle
Surelle Grigio	SL31	Surelle
Surelle Cemento	SL32	Surelle
Surelle Noce	SL33	Surelle

# Contents

## Introduction

---

Policies & Procedures	12
Cabinet Code Key	16
Collections & Styles	20
Displays & Samples	28
Cabinet Height Comparison Guide	32

## BEDFORD

BY CNC CABINETS

---

Door Styles & Specifications	36
Wall Cabinets	40
Base Cabinets	46
Tall Cabinets	52
Vanities & Medicine Cabinets	54
Fillers, Panels & Moldings	59
Modifications & Upgrades	64

## LUXOR

BY CNC CABINETS

---

Door Styles & Specifications	68
Wall Cabinets	72
Base Cabinets	82
ADA Cabinets	94
Tall Cabinets	98
Accessories	102
Vanities & Medicine Cabinets	104
Fillers, Panels & Moldings	110
Modifications & Upgrades	118

\*Please see the digital spec book located at [www.cnccabinetry.com/resources](http://www.cnccabinetry.com/resources) for the most updated information.

# Concord

BY CNC CABINETRY

---

Door Styles & Specifications	124
Wall Cabinets	130
Base Cabinets	144
Tall Cabinets	162
Accessories	166
Vanities & Medicine Cabinets	170
Fillers, Panels & Moldings	173
Decorative Accessories	180
Modifications & Upgrades	186
Rev-a-shelf	193

# Classic

BY CNC CABINETRY

---

Door Styles & Specifications	204
Wall Cabinets	212
Custom Glass Doors	226
Base Cabinets	232
ADA Cabinets	247
Tall Cabinets	251
Accessories	256
Vanities & Medicine Cabinets	259
Fillers, Panels & Moldings	262
Modifications & Upgrades	274
Rev-a-shelf	282

## Additional Information

---

Marble & Granite Countertop	292
Vanguard Vanity Collection	295
Cabinet Care	300
Warranty Information	302



# General Information

---

Policies & Procedures

### Design & Pricing Software

CNC Cabinetry provides a product catalog compatible with 2020 Design & ProKitchen Design Software. These are downloadable via our website at [www.cnccabinetry.com](http://www.cnccabinetry.com). CNC Cabinetry does not take responsibility for discrepancies between design software and CNC Cabinetry pricing.

### Terms & Conditions Standards

All prices and specifications are subject to change. Payments may be made by ACH, Check, Debit/Credit Card, or Account Credit. To apply for credit, visit <http://cnccabinetry.com/creditapp/>.

### Placing Orders

Placing orders can be done through our CABNET program, using the excel order form found on our website or directly from ProKitchen or 2020 SKU lists. Orders will not be accepted over the phone. It is the dealers responsibility to review all quotes for accuracy and confirm before any order goes into production. If you would like the order to ship available, please note that on quote and approval. If not indicated, order will ship complete.

Once an order is placed and sent into production, NO CHANGES can be made including a change in ship date Concord and Classic orders may be changed up to 48 hours (2 business days) after an order is placed. Canceled items/orders after approval, will have a 20% restocking fee (if the order has not yet been shipped). If the cabinets have been shipped or are already palletized, customer is responsible for freight costs back to CNC Cabinetry, if applicable, and a 25% restocking fee. Non modified Luxor and/or Bedford cabinets can be returned. Modified cabinets cannot be canceled or returned. Luxor/Bedford cabinets that have been assembled by the customer cannot be returned. To cancel items from an order, please reach out to your customer service representative.

### Delivery Options

- Pick-up.
- CNC truck.
- White-glove delivery available for an additional fee
- Common Carrier-Scheduled by CNC Cabinetry
  - If you have a preferred carrier please request it.
  - Please note that a per pallet fee will be applied to the order
- Common Carrier-Scheduled by Customer
  - If you need a residential liftgate, please make note of this with your carrier
  - Please note that a per pallet fee will be applied to the order

Orders are automatically scheduled for the next available delivery day to your area unless specified otherwise. A rescheduled delivery may result in a 20% fee.

Missed pick-up appointments after 48 hours will incur storage fees of \$25 per day. After 30 days, orders will be returned to stock and a restocking fee of 25% will be charged.

### **White Glove Delivery Service**

White Glove Delivery is available with CNC truck orders. Delivery service will cost \$200, which includes a job site delivery fee of \$125. This fee will cover up to the first 25 cabinets. Delivery will be to the ground floor only. Orders over 25 cabinets will incur an additional fee. White Glove Delivery is also available for common carrier orders. These orders are priced per order, please contact your customer service representative for more information.

Please note: In-Home Delivery will have an extended lead time of up to 5 days.

### **Returns**

There will be a 25% restocking fee for any returned cabinet. Shipping/Delivery charges will not be credited for any returns. It is the customer's responsibility to pay for shipping on return items. We will not accept returns on any assembled cabinets by the customer, installed cabinets, or cabinets without their original box. Non modified Luxor and/or Bedford cabinets can be returned. Non-stock cabinets, Concord, Classic, Alvic, parts including doors and drawers, custom modifications, wood hoods and countertops (post form and self-edge) are not returnable.

Once merchandise is received and inspected at our warehouse, a credit will be issued to your account for the returned merchandise less the 25% restocking fee. Please allow CNC 7-14 business days to process your credit. CNC will not accept returns after 30 days.

### **Damages**

If a cabinet or countertop arrives damaged, please scan the QR code on the packing slip or contact your customer service and a replacement order will be issued. Pictures of the damages and your CNC sales order or P.O. number must be provided. If you do not have pictures of the damages, we will send the replacement/s for the full price and credit will be applied once we receive the pictures. Do not install damaged cabinets. CNC will not credit damaged cabinets that have been installed. CNC will not credit damaged cabinets after 30 days of delivery.

### **Lead times**

Cut-off time is 5:00pm Eastern time (M-TH) 3:00 pm Eastern time (Friday) for assembled and unassembled cabinets in order to meet standard lead times. Extended lead times will occur for orders containing 75 cabinets or more. An extended lead time will also occur for any post-form or square-edge countertops with cut outs, cut-downs, or assembled miters and for stocked countertops over 12 pieces.

### Shipping

CNC offers delivery service with our own fleet of trucks that will deliver within the local New Jersey tri-state area and areas within a 3-hour driving radius of South Carolina, Florida, Texas and Nevada for a minimum charge. Local deliveries will be assessed for pricing based on gas rates. Rates will be reassessed every 90 days. Deliveries are curbside only. Jobsite deliveries are available upon request for a minimal fee. White-glove delivery service is available upon request. Please contact your Customer Service representative for pricing and details.

We ship via Common Carrier, where the best available pallet rate will be chosen. If a customer sends their own carrier to pick-up cabinets, CNC will not be responsible for filing damage claims. Please note that a per pallet fee will be applied to the order.

Floor load truckloads will be charged 250.00 per truckload.

Refused orders or missed pick-ups will be charged a fee to reschedule the delivery or pick-up.

Starting January 1st, 2026, no changes can be made after 48 hours including the ship date.

### Limited 5-Year Warranty

Please see our updated Limited 5-Year Warranty on our Bedford line (Country Oak & Dover) located in the back of the back on page 292.

### Limited Lifetime Warranty

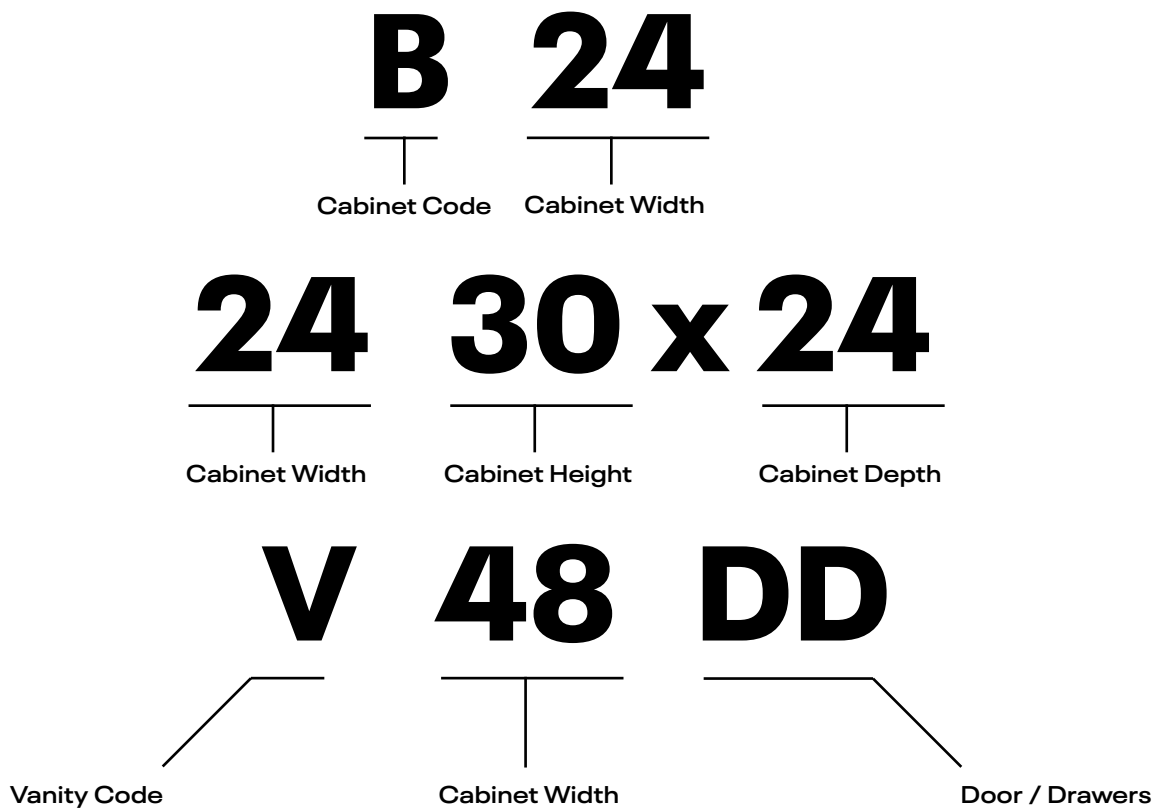
Please see our updated Limited Lifetime Warranty located in the back of the back on page 293.

Cabinet

Code Key

## Cabinet Code Key

---



**When looking at product codes it is important to note each element within the code in order to ensure you are ordering the correct cabinet piece. For example, the codes displayed above would translate to:**

Base Cabinet; 24" Wide x 34½" High

Wall Cabinet; 24" Wide x 30" High x 24" Deep

Vanity Cabinet; 48" Wide x 21" Deep; Double Drawers

**Specialty items and accessories can also have additional abbreviations included in a SKU such as:**

FH: Full Height

HA/HR: Handicap Accessible/Removable

POS: Pull out Shelf

FL/FR: Finished Left/Right Side

POD: Pull out Drawer

F2: Finished Two sides

L/R: Door Left/Right

5P: 5 Piece Drawer Front Upgrade

**Please note the following when selecting and ordering cabinets:**

## Wall Cabinets

- Standard Wall cabinets heights are 12", 15", 18", 24", 30", 36" & 42"
- Standard Wall cabinets are 12" or 24" deep

3030 - Wall Cabinet  
 CW - Corner Wall Cabinet  
 BLW - Blind Wall Cabinet  
 WSQ - Square Corner Wall Cabinet  
 WEC - Wall End Cabinet  
 MW - Microwave Cabinet  
 PD - Pocket Door  
 BCC - Bookcase  
 CT - Countertop Cabinet  
 WOC - Wall Open Cabinet  
 WSP - Wall Spice Rack

## Base Cabinets

- Standard Base cabinets are 34 1/2" high
- Standard Base cabinets are 24" deep

B - Base Cabinet  
 DB - Drawer Base Cabinet  
 BLB - Blind Base Cabinet  
 CSF/CSFFL - Diagonal Corner Sink Front/Floor  
 ER - Easy Reach  
 LS - Lazy Susan  
 CSB - Corner Sink Base  
 CAR - Lazy Susan Corner Base Cabinet  
 SB - Sink Base  
 SB-FS - Farm Sink Base  
 BWBK - Waste Basket Cabinet  
 BEC - Base End Cabinet  
 BSP - Base Spice Rack  
 MCB - Microwave Base

## Handicap Accessible/Removable

- Handicap Accessible/Removable cabinets are indicated with 'HA' or 'HR' at the end of a product code
- Handicap Accessible/Removable cabinets are 32.5" tall in Country and Luxor, and 34.5" tall in Concord and Classic.
- **Please note:** Handicap Removable cabinets may not meet ADA requirements

## Tall Cabinets

- Standard Tall cabinets heights are 84", 90" & 96"
- Standard Tall cabinets are 21" or 24" deep

PC - Pantry  
 UC - Utility Cabinet  
 OV - Oven Cabinet  
 OVD - Double Oven Cabinet

## Accessories

POS - Pullout Shelf  
 POD - Pullout Drawer  
 WCD - Wooden Cutlery Drawer  
 WH - Wood Hoods  
 F-SHELF - Floating Shelf

## Vanity Cabinets

- Standard Vanity Cabinets are 21" deep
- Vanity Cabinets are 32 1/2" high for Country and Classic cabinets
- Vanity Cabinets are 34 1/2" high for Dover, Luxor, Concord and Classic cabinets

VSD - Vanity Sink Base  
 VB - Vanity Base  
 VD - 1 Door and 2 Drawer Vanity Sink Base  
 VDD - 2 Door and 4 Drawer Vanity Sink Base  
 VDB - Vanity Drawer Base  
 VBD - Bottom Drawer Vanity  
 VDD - Double Drawer Vanity  
 VOB - Open Bottom Vanity  
 MC - Medicine Cabinet  
 DD - Desk Drawer



# Collections & Styles

# BEDFORD

BY CNC CABINETRY

The Bedford Collection is our standard overlay cabinet constructed from all plywood. The wall and base cabinets are equipped with 3/4" plywood adjustable shelves and adjustable hinges. Drawer boxes are made with plywood and have side mount glides.

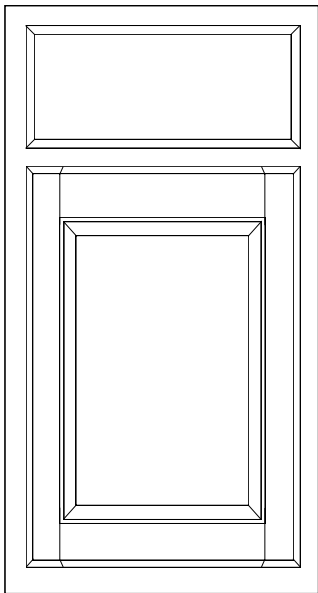
\*Please note, cabinet door and box dimensions may vary by 1/8"

## Country Oak

Price Code  
R

A standard overlay, 1" reveal, 5 piece solid wood with a raised MDF veneer center panel Mortise and Tenon construction, slab drawer front. Solid wood in a Honey finish.

\*Can be cut for glass



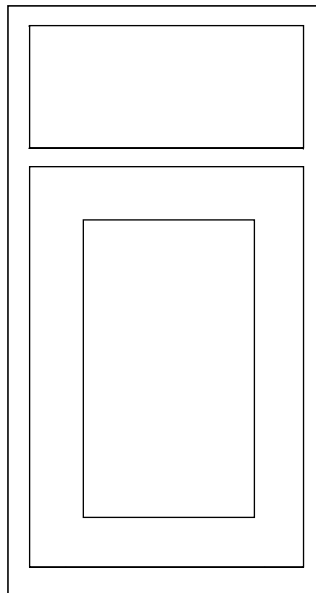
C4 - Oak

## Dover

Price Code  
S

A standard overlay, 1" reveal, 2" wide shaker style door with a flat center panel, and a slab drawer front. Includes soft-close hinges.

\*Five-piece upgrade not available  
\*No finished interior option  
\*Can be cut for glass



D07 - Saddle  
D10 - White

# LUXOR

BY CNC CABINETS

Versatile, stylish, and dependable, the Luxor Collection has served as the backbone of CNC's mission, and its trusted center. Made of all plywood, these cabinets are equipped with  $\frac{3}{4}$ " adjustable shelves and adjustable soft-close hinges. All drawer boxes are made with dovetail construction and six way adjustable soft-close undermount glides. Five-piece drawer front is available as an upgrade.

\*Please note, cabinet door and box dimensions may vary by 1/8"

## Luxor

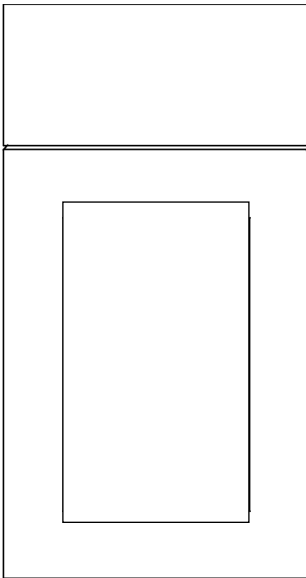
**Price Code**

Luxor: L

5 Piece Upgrade: Z

A semi-full overlay,  $\frac{1}{2}$ " reveal,  $2\frac{1}{2}$ " wide shaker style door with a flat center panel, Mortise and Tenon construction, and a slab drawer front.

\*All bottom drawers come with five-piece drawer fronts.



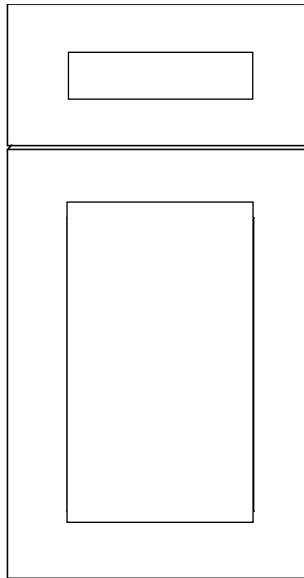
- L02 - Smoky Grey    L10 - White
- L03 - Misty Grey    L11 - Espresso
- L05 - Harvest

## Glencove

**Price Code**

T

A full overlay,  $\frac{1}{4}$ " reveal,  $2\frac{1}{2}$ " wide shaker style door with a flat center panel, Mortise and Tenon construction, and a shaker drawer front.



- G01 - Sleek White
- G07 - Saddle
- G10 - White

# Concord

BY CNC CABINETRY

The Concord Collection is our full-overlay all plywood cabinet, which comes with full 1/2" back panels, complete with solid wood dovetail drawer box and a 5-piece drawer front, enhanced by a soft-close feature and full extension under-mount glides to create a smooth glide. The cabinetry is equipped with 3/4" adjustable shelves with metal clips and six way, soft close, adjustable clip-on hinges. Natural wood finished interiors allow for practicality and ease of maintenance.

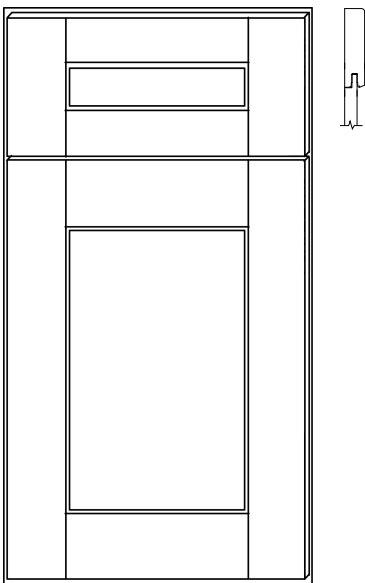
\*Please note, cabinet door and box dimensions may vary by 1/8"

## Elegant

**Price Code**  
White/Smoky Grey/Ocean: A  
Stone: B  
PLUS: M

A full overlay 5 piece solid wood, with solid MDF veneer flat center panel. Mortise and Tenon construction.

\*All bottom drawers come with a five-piece drawer fronts.



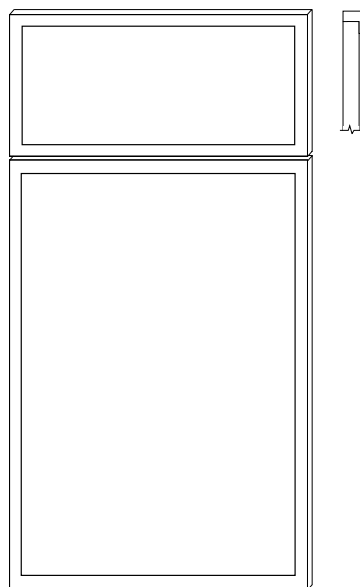
EB02 - Smoky Grey EB23 - Stone  
EB10 - White EB27 - Ocean

## Newport

**Price Code**  
White: A  
PLUS Paint: M  
PLUS Stain: D

A full overlay 5 piece solid wood, with solid MDF veneer flat center panel with a 3/4" frame.

\*Reeded door upgrade available

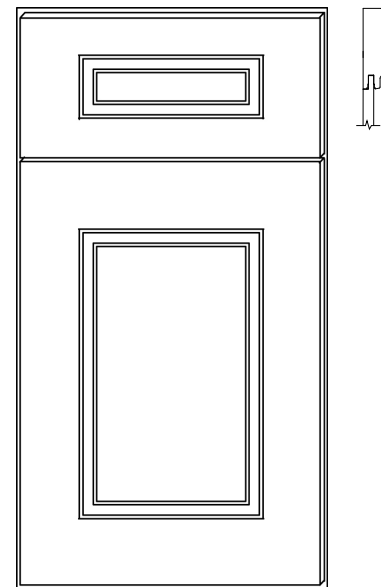


NB10 - White

## Fashion

**Price Code**  
White/Ocean: B  
PLUS: N

A full overlay 5 piece solid wood, with solid MDF veneer flat center panel. Mortise and Tenon construction.

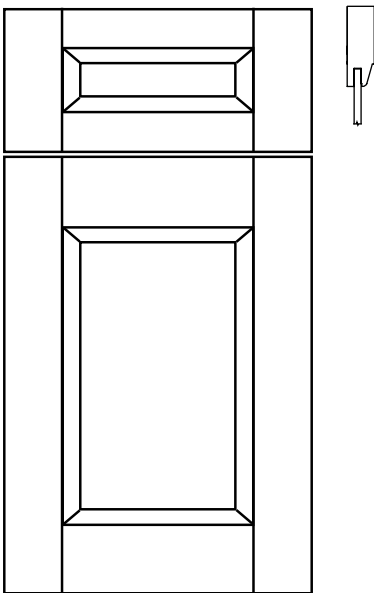


FB10 - White  
FB27 - Ocean

## Sydney

Price Code  
 White: C  
 PLUS Paint: O  
 PLUS Stain: P

A full overlay 5 piece solid wood, with solid MDF veneer flat center panel. French mitered construction.

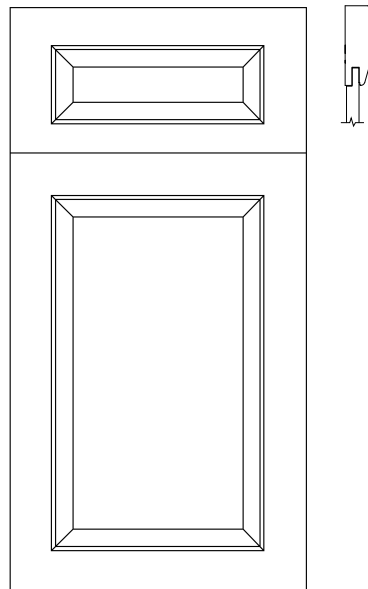


SB10 - White

## Richmond

Price Code  
 White/Stone: C  
 PLUS: O

A full overlay 5 piece solid wood, with solid MDF veneer flat center panel. Mitered construction.

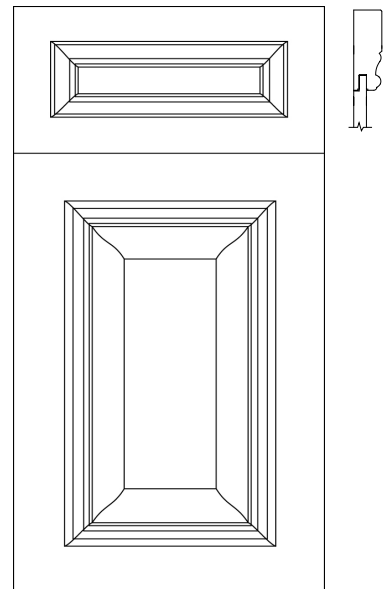


RB10 - White  
 RB23 - Stone

## Park Avenue

Price Code  
 C

A full overlay 5 piece solid wood, raised panel MDF veneer center. Mitered construction.



PB10 - White  
 PB27 - Ocean

# Classic

BY CNC CABINETRY

## White Laminate Box

Composed of a frame-less box construction, with double white wall metal drawer with 1/2" plywood bottom. Outfitted with full extension, under-mount drawer glides, as well as the soft-close feature. Features six way adjustable, clip-on soft close hinges, 3/4" adjustable full-depth plywood shelves, and dowel and glue-clamped assembly construction

## Maple Box

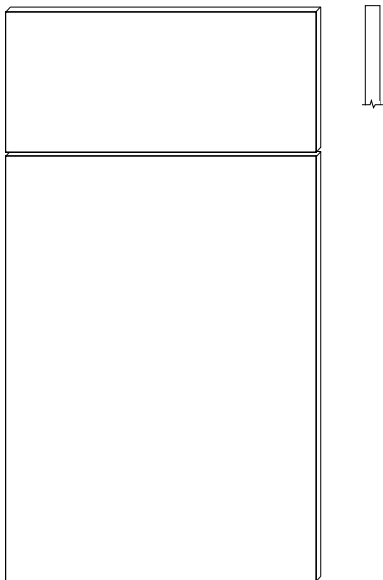
Composed of a frame-less box construction, complete with solid wood dovetail drawer box . Outfitted with full extension, under-mount drawer glides, as well as the soft-close feature. Features six way adjustable, clip-on soft close hinges, 3/4" adjustable full-depth plywood shelves, and dowel and glue-clamped assembly construction.

\*Please note, cabinet door and box dimensions may vary by 1/8"

## Broadway

Price Code  
E

A full overlay low pressure laminate flat panel MDF door.

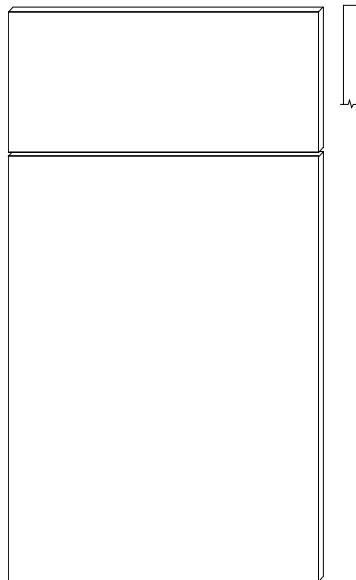


- BM600 - Cotton
- BM601 - Silk
- BM602 - Nimbus
- BM603 - Cobalt
- BM604 - Graphite
- BM650 - Almond
- BM651 - Chestnut
- BM652 - Walnut
- BM653 - Coastal
- BM654 - Driftwood
- BM655 - Beach
- BM656 - Silver Birch

## Milano

Price Code  
F

A full overlay slab door made from a MDF core, wrapped in PET with a matching edgeband and melamine back.



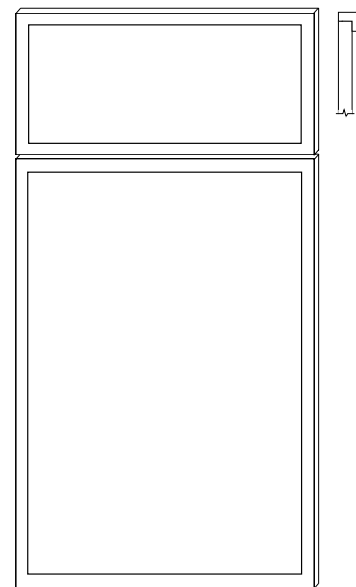
- MP400 - Polar White
- MP401 - Fossil Grey
- MP402 - Sand
- MP403 - Seaside
- MP404 - Pine
- MP405 - Snow
- MP406 - Sunset
- MP407 - Obsidian
- MP450 - Mirage
- MP451 - Dune
- MP452 - Autumn
- MP453 - Ash

## Versailles

Price Code  
White: G  
PLUS Paint: H  
PLUS Stain: I

A full overlay 5 piece solid wood, with solid MDF veneer flat center panel with a 3/4" frame.

\*Reeded door upgrade available

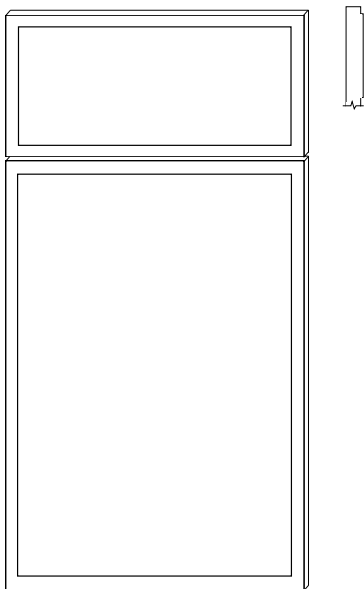


- VB10 - White

## Highland

**Price Code**  
 White: G  
 PLUS Paint: H

A full overlay reverse slim shaker door made from a MDF core, with a white melamine back and painted front.



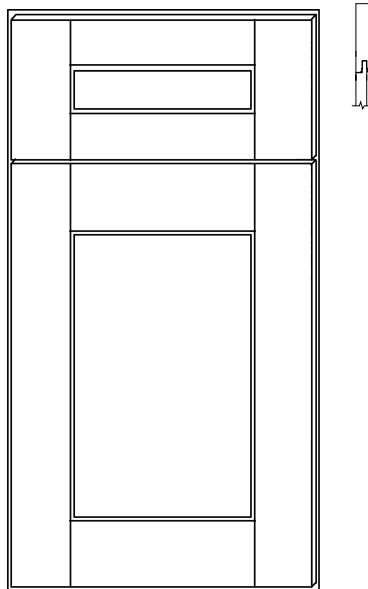
HB10 - White

## Woodbourne

**Price Code**  
 White: G  
 PLUS Paint: H  
 PLUS Stain: I

A 5 piece solid wood, with solid MDF veneer flat center panel. Mortise and Tenon construction.

\*Special Order Only



WBPO2 - Smoky Grey WBP23 - Stone  
 WBP10 - White WBP27 - Ocean

## Alvic

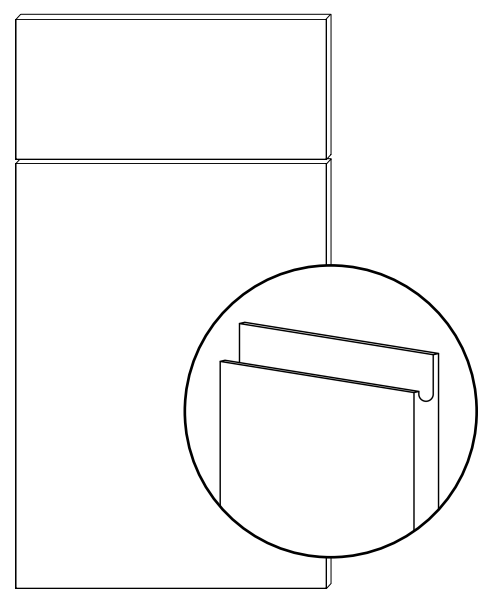
**Price Code**  
 Synchron: J  
 Luxe/Zenit: K

**Finger-Pull**  
 22mm / 7/8"

**Slab**  
 18mm / 3/4"

Alvic doors come with a color matching soft postforming edge band. Finger pull and slab doors are 22mm thick.

\*Full Color List Available On Our Website

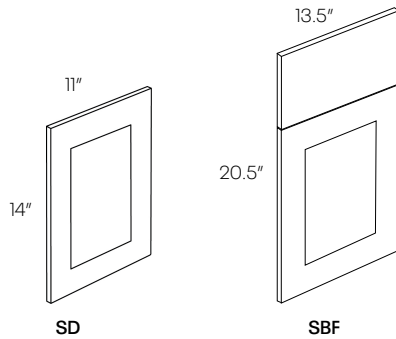




# Displays & Samples

## Displays & Samples

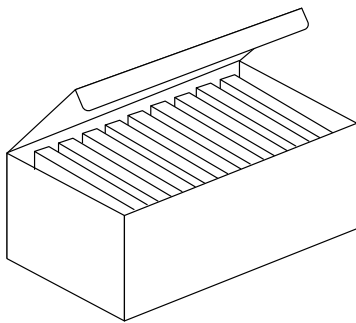
### Door Samples



Collection	SD	SBF
Bedford	20	25
Luxor	20	25
Concord	20	25
Concord Plus (Paint)	20	25
Concord Plus (Stain)	20	25
Concord (Reeded)	40	50
Classic	20	25
Classic Plus (Paint)	20	25
Classic Plus (Stain)	20	25
Classic (Reeded)	40	50

• Net Price

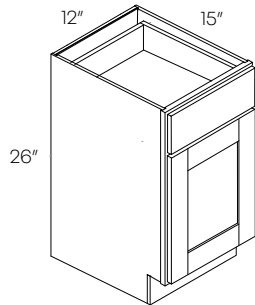
### Sample Kits



Item Number	Description	Price
<b>Door Sample Kits</b>		
DISP-WK-SD-SET	Includes 10 doors & full set of swatch books	250
DISP-B-SD-SET	12 Broadway doors	72
DISP-M-SD-SET	12 Milano doors	96
DISP-H-SD-SET	11 Highland doors	110
DISP-E-SD-SET	14 Elegant doors	110
DISP-F-SD-SET	12 Fashion doors	110
DISP-V-N-SD-SET	13 Newport/Versailles doors	125
DISP-R-SD-SET	12 Richmond doors	125
DISP-S-SD-SET	13 Sydney doors	125
DISP-P-SD-SET	2 Park Ave doors	125
DISP-L-SD-SET	5 Luxor Doors	72
<b>Sample Kits</b>		
DISP-CB6	Single Color Block Samples	2
DISP-CB6-SET	Full Color Sample Box (46 Chips)	90
DISP-PFCHIPS	Countertop Samples	0
DISP-MLDG	Molding Samples	47
DISP-GT6x6-SET	All Granite Samples	50
DISP-GAC-KIT	Custom Glass Door Sample Kit	45
<b>Alvic Sample Kits</b>		
DISP-ALL-CB3x5	Alvic Luxe Color Samples	18
DISP-ALS-CB3x5	Alvic Synchron Color Samples	18
DISP-ALZ-CB3x5	Alvic Zenit Color Samples	18

• Net Price

Mini Base Cabinets

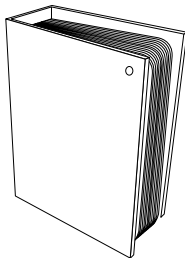


DISP-L10-B12M

Item Number	Description	Price
DISP-L10-B12M	Luxor	95
DISP-EB10-B12M	Concord (Elegant)	130
DISP-MPW400-B12M	Milano (Classic)	132
DISP-BMM600-B12M	Broadway (Classic)	132

\* Available in all styles in White  
• Net Price

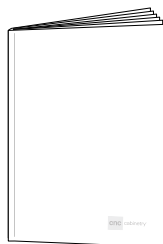
Swatch Books



Item Number	Description	Price
DISP-C-BOOK-M	Milano Swatch Book - 12 colors	25
DISP-C-BOOK-B	Broadway Swatch Book - 12 colors	25
DISP-C-BOOK-PLUS	Plus+ Swatch Book - 12 colors	25
DISP-C-BOOK-STOCK	Concord & Luxor Swatch Book - 7 colors	25
DISP-C-BOOK-SET	Full set of swatch books	100

• Net Price

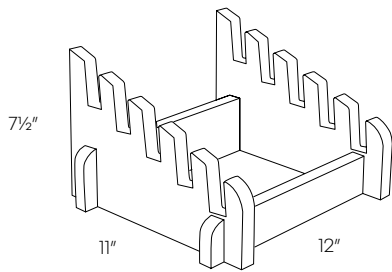
Literature



Item Number	Description	Price
DISP-SPEC	Spec Book	0
DISP-BEDCAT	Bedford Collection Catalog	0
DISP-LUXCAT	Luxor Collection Catalog	0
DISP-CONCAT	Concord Collection Catalog	0
DISP-CLASCAT	Classic Collection Catalog	0
DISP-VIBEB	Vibe Brochure	0
DISP-TRIFOLD	Door Guide	0
DISP-CNTP	Countertop Guide	0
DISP-LUXPRODUCT	Luxor Product Guide	0
DISP-DOVGUIDE	Dover Product Guide	0
DISP-VAN	Vanity Guide	0
DISP-SUMMARY	Collection Summary Guide	0
DISP-CATALOG-ALV	Alvic Guide	0
DISP-BINDKIT	Welcome Kit	0

## Displays & Samples

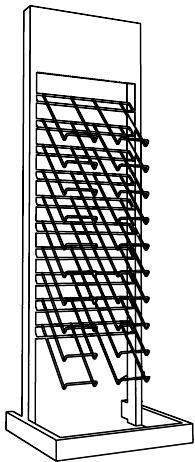
### Showroom Displays



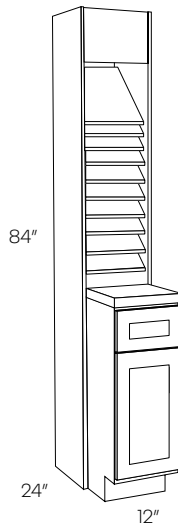
**DISP-STAND**  
\*Holds up to 5 doors

Item Number	Description	Price
<b>DISP-STAND</b>	Mini tabletop door stand	50
<b>DISP-RACK</b>	Standing Wire Rack Display	200
<b>DISP-MERCH-L05</b>	Luxor Harvest Merchandise Display	330
<b>DISP-MERCH-EB23</b>	Elegant Stone Merchandise Display	330
<b>DISP-CENTER-CON-LUX</b>	L02, L03, L05, L10, NBP110, EBP108, EBP109, NBP201, PB27, FBP106, SBP107, RB23, EBP101, RNP102, RBP103, RBP104, NBP105, SKP200	1400
<b>DISP-CENTER-MIX</b>	L05, L10-5P, NKP200, SKP201, MP450, MP400, BM650, BM655, RB23, EB02, MP451, FBP105, EBP103, NBP107, FBP101, EBP105, EBP110, SKP102	1400
<b>DISP-CENTER-CLS</b>	BM600, MP400, BM655, MP403, MP404, MP452, MP451, BM654, HB109, BM650, BM656, MP402, MP450, BM 652, MP452, VKP200, VKP201, MP405	1400
<b>DISP-KIOSK</b>	Display Kiosk	1800

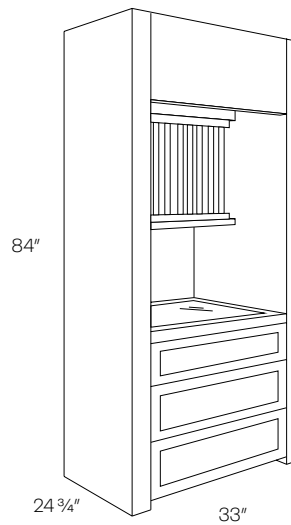
• Net Price



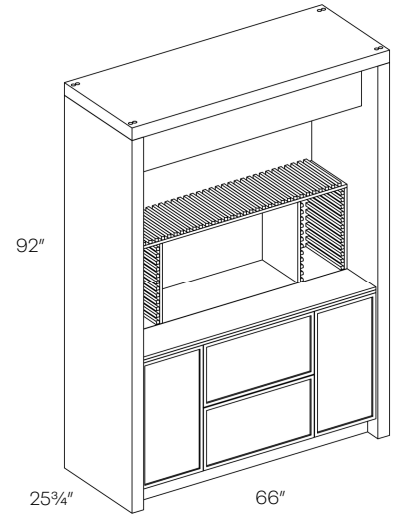
**DISP-RACK**  
\*Holds 20 doors; order separately



**DISP-MERCH**  
\*Holds 10 doors; order separately  
\*Available in L05 (Luxor White) and EB23 (Elegant Stone)



**DISP-CENTER-CON-LUX**  
**DISP-CENTER-MIX**  
**DISP-CENTER-CLS**  
\*Doors included  
\*Available in EB23 (Elegant Stone)



**DISP-KIOSK**  
\* Doors included  
\*Harvest Stain frame paired with Versailles White Cabinets  
\*Two mini base cabinets included

# Cabinet Height Comparison

## Cabinet Height Comparison Guide

Choosing the right kitchen cabinet height isn't just a design detail—it's a decision that impacts how people live in the space every day. For property managers and contractors working in multifamily housing, or for a designer planning a home renovation, getting it right means better functionality and a more polished end result. For kitchens with 8-foot ceilings, 30-inch upper cabinets are ideal, leaving enough room for crown molding or decorative trim. Ceilings taller than 8 feet benefit from extended or stacked cabinets, offering additional storage and a sophisticated aesthetic.

Whether you're outfitting a single-family kitchen or tackling large-scale renovations, understanding cabinet height standards and options can make a measurable difference. Here's a practical guide to help you select the ideal cabinet height for your next multifamily project.

### Wall Cabinets

- Standard Wall cabinets heights are 12", 15", 18", 24", 30", 36" & 42"
- Standard Wall cabinets are 12" or 24" deep

### Base Cabinets

- Standard Base cabinets are 34 1/2" high
- Standard Base cabinets are 24" deep

### Tall Cabinets

- Standard Tall cabinets heights are 84", 90" & 96"
- Standard Tall cabinets are 21" or 24" deep

### Vanity Cabinets

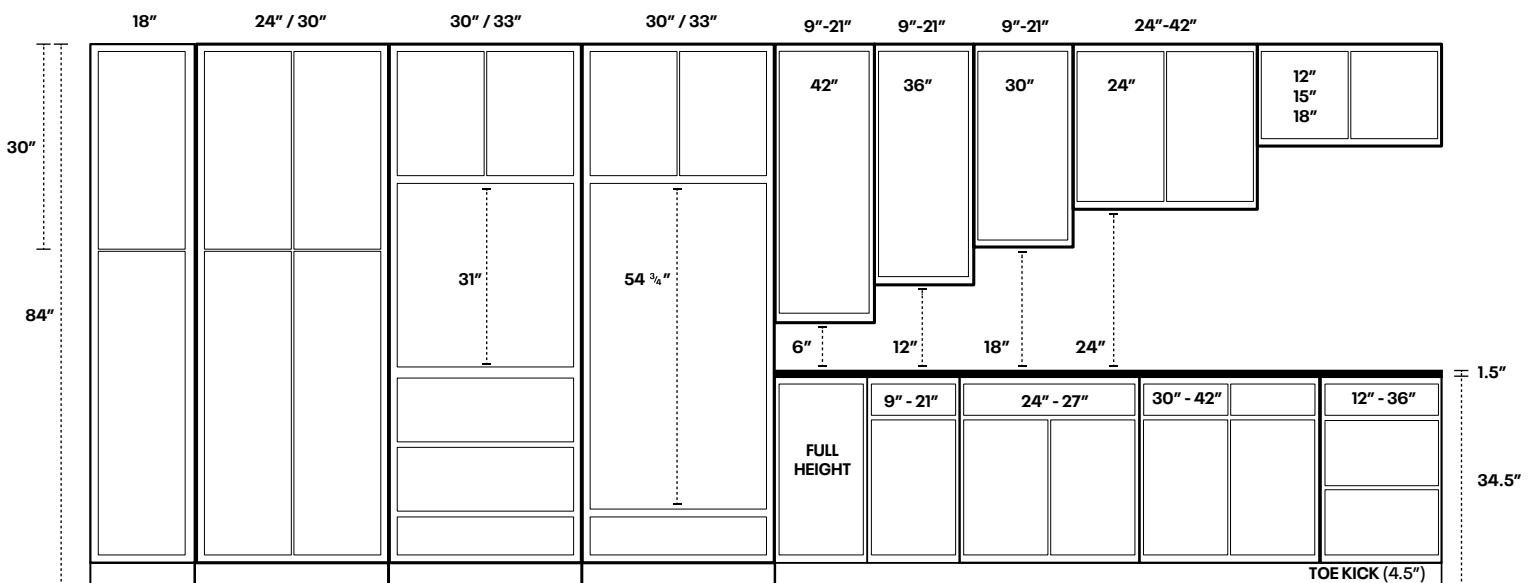
- Standard Vanity Cabinets are 21" deep
- Vanity Cabinets are 32 1/2" high for Country cabinets
- Vanity Cabinets are 34 1/2" high for Dover, Luxor, Concord and Classic cabinets

### Handicap Accessible/Removable

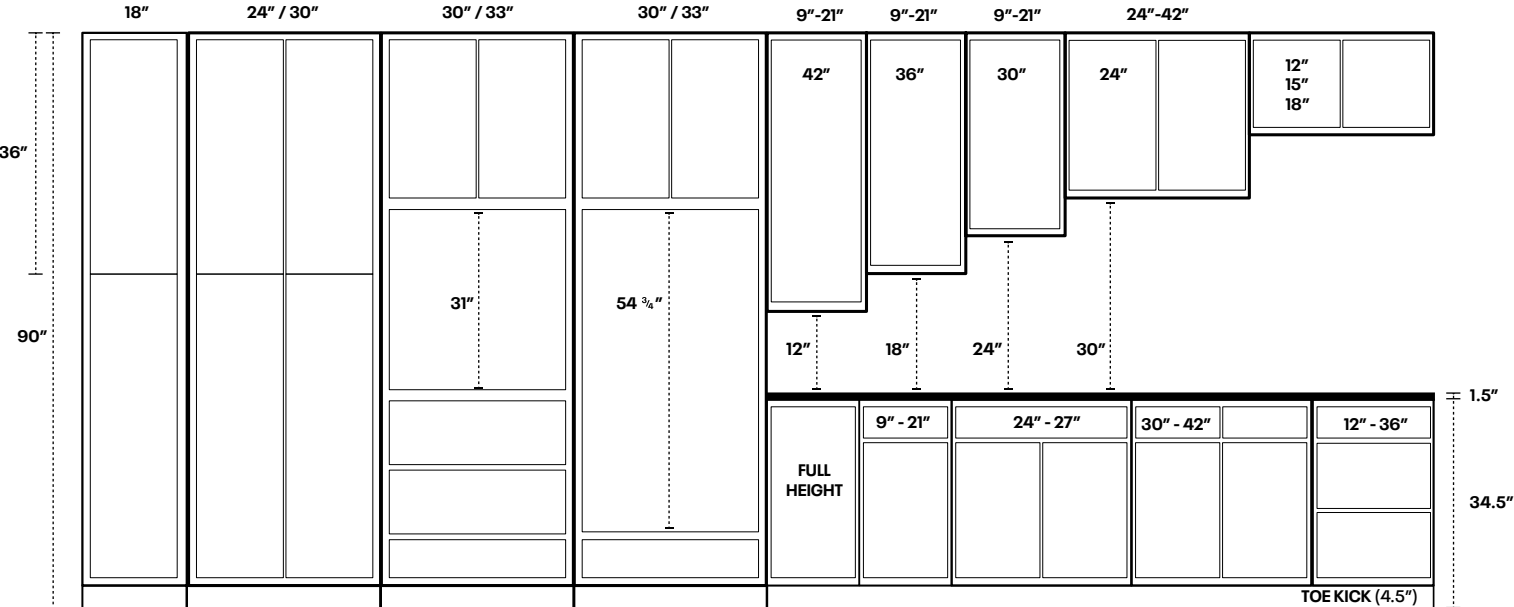
- Handicap Accessible/Removable cabinets are indicated with 'HA' or 'HR' at the end of a product code
- Handicap Accessible/Removable cabinets are 32.5" tall in Country and Luxor, and 34.5" tall in Concord and Classic.

\*Please note: Handicap Removable cabinets may not meet ADA requirements

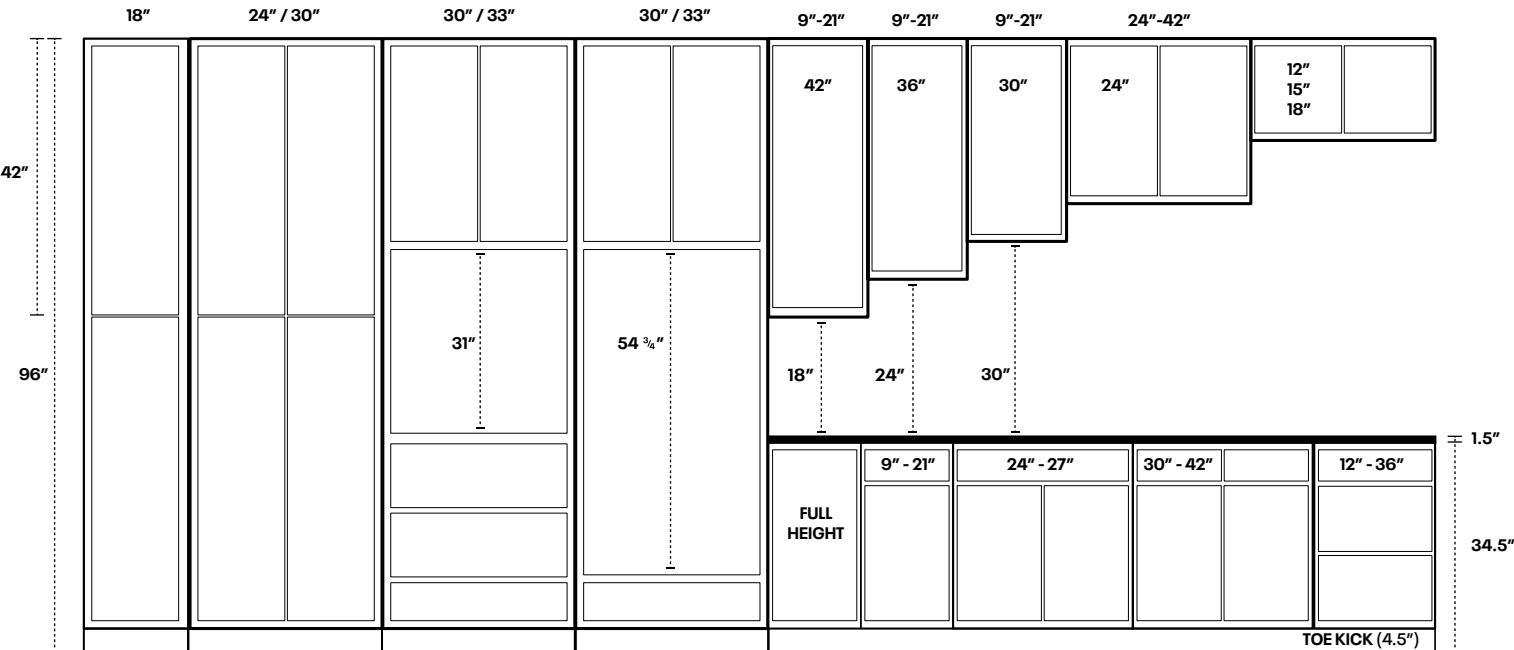
## 84" Tall Height Comparison Guide



### 90" Tall Height Comparison Guide



### 96" Tall Height Comparison Guide





# BEDFORD

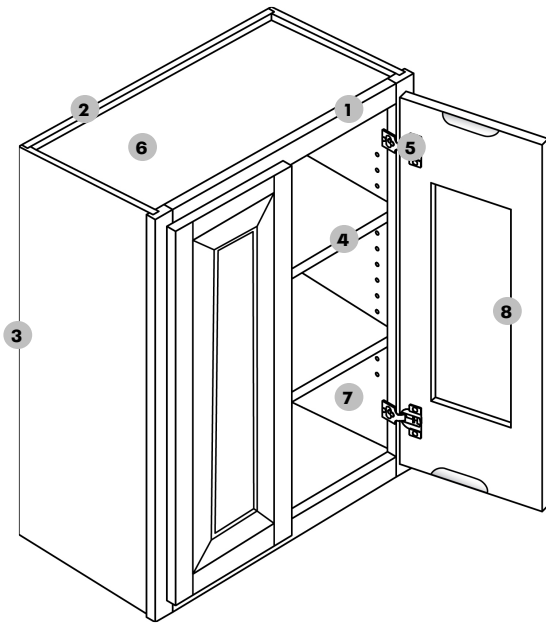
BY CNC CABINETS

Cabinet & Door Information

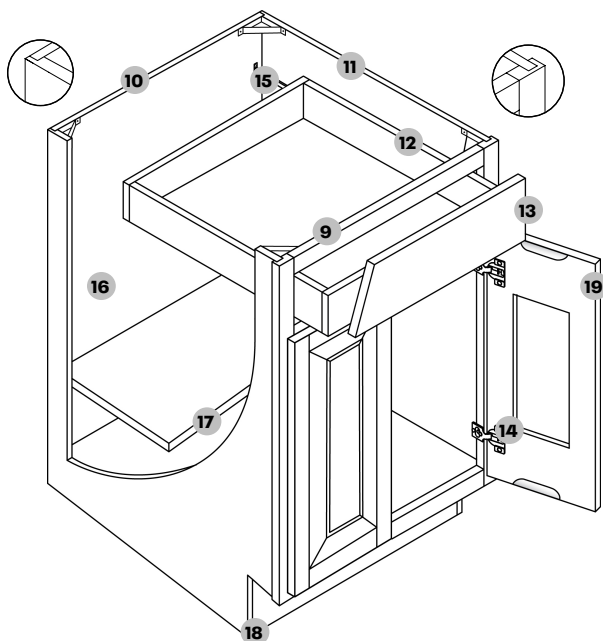
# Country Oak

Standard Overlay

1" Reveal



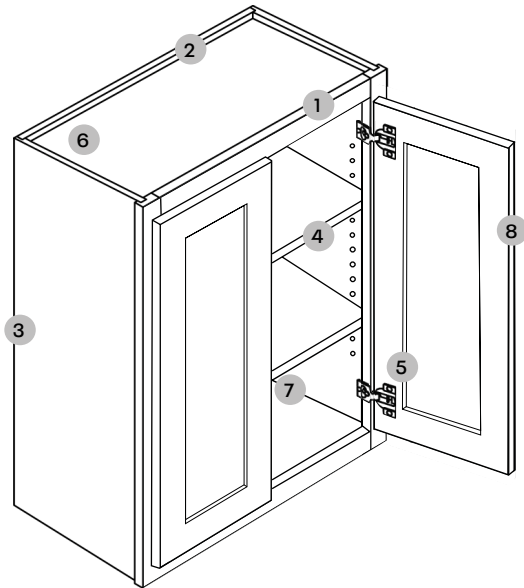
- 1 **Wall Frame** —  $\frac{3}{4}$ " thick,  $1\frac{1}{2}$ " wide, kiln-dried solid hardwood. Assembled with glue and nails, under clamp pressure, which ensures squareness.
- 2 **Back panel** —  $\frac{1}{2}$ " substrate, with 3" plywood surrounding frame, made of  $\frac{1}{2}$ " plywood. Rabbeted and stapled into cabinet sides, screwed into top and bottom. Includes  $1\frac{1}{2}$ " hanging rails.
- 3 **End panel** — Top and bottom  $\frac{1}{2}$ " plywood substrate, with light maple woodgrain laminate finish.
- 4 **Shelves** —  $\frac{3}{4}$ " thick, plywood; fully adjustable
- 5 **Hinges** — Heavy duty steel concealed adjustable hinge.
- 6 **Top/Bottom panel** —  $\frac{1}{2}$ " thick plywood with matching light maple woodgrain laminate interior. Exterior matches cabinets.
- 7 **Interior** — Woodgrain laminate interior.
- 8 **Doors** — Finger pull groove for easy access



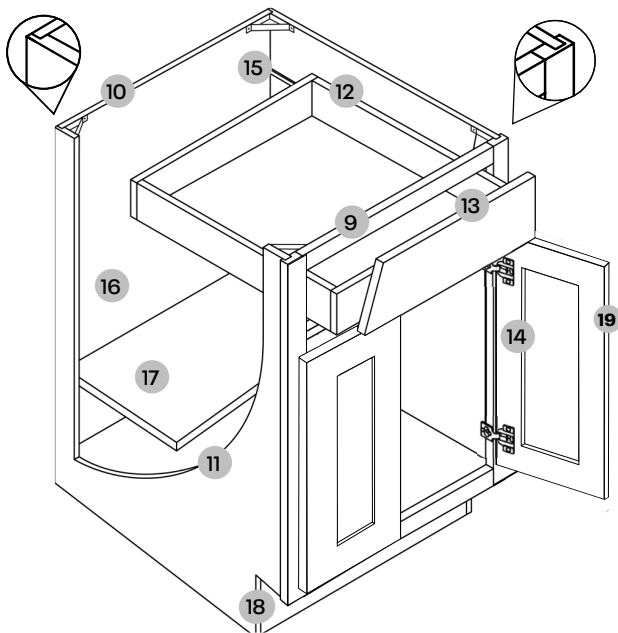
- 9 **Base frame** —  $\frac{3}{4}$ " thick,  $1\frac{1}{2}$ " wide, kiln-dried solid hardwood. Assembled with glue and nails, under clamp pressure, which ensures squareness.
- 10 **Back panel** —  $\frac{1}{2}$ " substrate plywood material. Rabbeted and stapled into cabinet sides, screwed into top and bottom.
- 11 **End panel** —  $\frac{1}{2}$ " plywood substrate, with light maple woodgrain laminate interior finish.
- 12 **Drawers** —  $\frac{1}{2}$ " Plywood sides with  $\frac{3}{8}$ " thick bottom fastened with screws. Finger pull groove for easy access.
- 13 **Drawer front** — MDF painted door/drawer. Slab drawer front.
- 14 **Hinges** — Heavy duty steel concealed adjustable hinge.
- 15 **Glides** — High quality epoxy coated steel side mounted glides.
- 16 **Interior** — Woodgrain laminate interior.
- 17 **Shelves** —  $\frac{3}{4}$ " thick, plywood; fully adjustable. (10" deep)
- 18 **Toe kick** —  $4\frac{1}{2}$ " Toe kick with  $2\frac{1}{2}$ " inset on all standard base and vanity cabinets.
- 19 **Doors** — Finger pull groove for easy access

# Dover

Standard Overlay  
1" Reveal

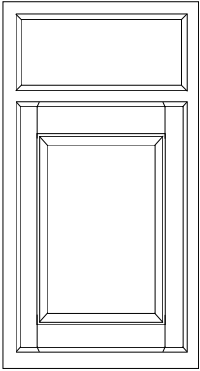


- 1 **Wall frame** — 1½" wide, kiln-dried solid hardwood. Assembled with glue and nails, under clamp pressure, which ensures squareness.
- 2 **Back panel** — Made of ½" thick plywood with matching laminate exterior.
- 3 **End panel** — Made of ½" thick plywood with matching laminate exterior.
- 4 **Shelves** — ¾" thick; fully adjustable.
- 5 **Hinges** — Soft-close, adjustable hinges.
- 6 **Top/Bottom panel** — ½" thick plywood with matching light maple woodgrain laminate interior. Exterior matches cabinets.
- 7 **Interior** — Woodgrain laminate interior.
- 8 **Doors** — 2" styles and rails shaker door with a flat center panel and 1" reveal.



- 9 **Base frame** — 1½" wide, kiln-dried solid hardwood. Assembled with glue and nails, under clamp pressure, which ensures squareness.
- 10 **Back panel** — Made of ½" thick plywood with matching laminate exterior.
- 11 **End panel** — Made of ½" thick plywood with matching laminate exterior.
- 12 **Drawers** — 4 sided box. ½" thick plywood.
- 13 **Drawer front** — MDF painted door/drawer. Slab drawer front.
- 14 **Hinges** — Soft-close, adjustable hinges.
- 15 **Glides** — Epoxy-coated side mount guides.
- 16 **Interior** — Woodgrain laminate interior.
- 17 **Shelves** — ¾" thick; fully adjustable. (10" deep)
- 18 **Toe kick** — 4½" Toe kick with 3" inset on all standard base and vanity cabinets.
- 19 **Doors** — 2" styles and rails shaker door with a flat center panel and 1" reveal.

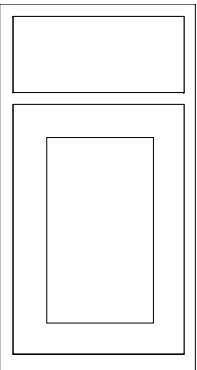
## Country Oak



A standard overlay, 1" reveal, 5 piece solid wood with a raised MDF veneer center panel Mortise and Tenon construction, slab drawer front. solid wood in a Honey finish.

Finish	Price Code (Slab)
C4 - Honey (Stain)	R

## Dover



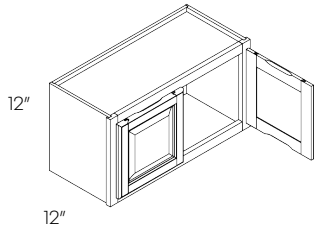
A standard door overlay, 1" reveal, 2" wide shaker style door with a flat center panel, Mortise and Tenon construction, and a slab drawer front. Includes soft-close hinges.

- \*Five-piece upgrade not available
- \*No finished interior option
- \*Can be cut for glass

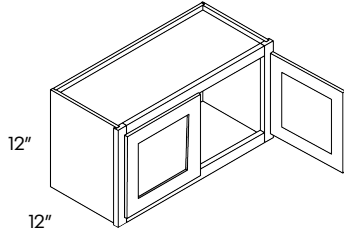
Finish	Price Code (Slab)
D07 - Saddle (Stain)	S
D10 - White (Paint)	S

# Specifications & Pricing

	Item Number	R	S
<b>12" High Wall Cabinet</b>	<b>3012</b>	370	343
	<b>3312</b>	384	N/A
	<b>3612</b>	417	387

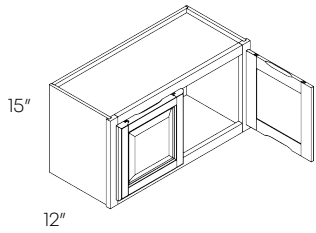


Country Oak

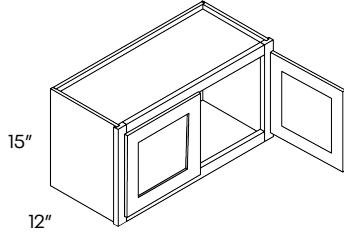


Dover

<b>15" High Wall Cabinet</b>	<b>2415</b>	365	N/A
	<b>3015</b>	376	349
	<b>3315</b>	392	364
	<b>3615</b>	417	387

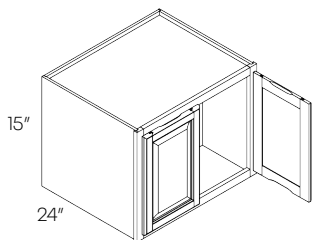


Country Oak

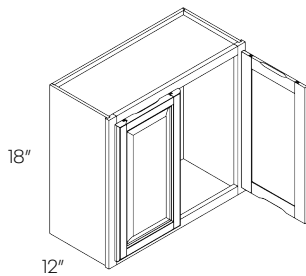


Dover

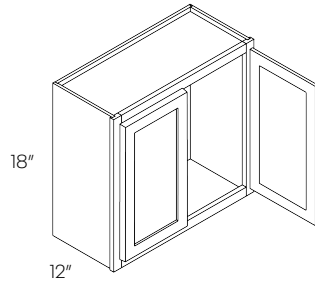
<b>15" High, 24" Deep Wall Cabinet</b>	<b>3015X24</b>	505	N/A
	<b>3615X24</b>	562	N/A



**18" High Wall Cabinet**



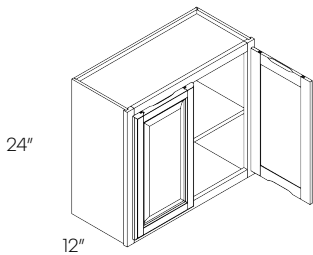
Country Oak



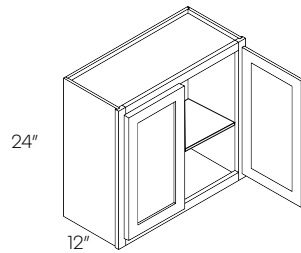
Dover

Item Number	R	S
<b>2118 (1Door)</b>	347	N/A
<b>2418</b>	365	339
<b>3018</b>	382	354
<b>3318</b>	414	N/A
<b>3618</b>	474	440

**24" High Wall Cabinet**

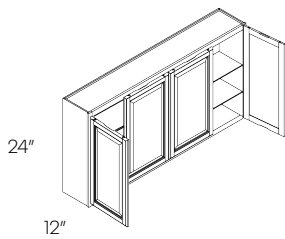


Country Oak



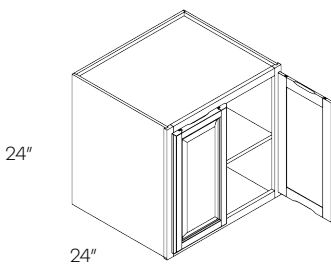
Dover

<b>1824 (1Door)</b>	389	N/A
<b>2424</b>	501	465
<b>2724</b>	514	477
<b>3024</b>	524	486
<b>3324</b>	558	N/A
<b>3624</b>	600	557
<b>4224</b>	713	N/A
<b>4824 (4 Doors)</b>	797	N/A

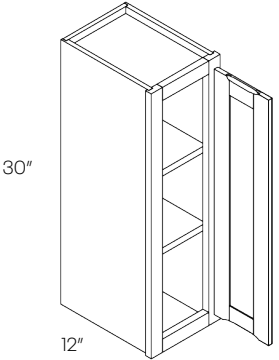
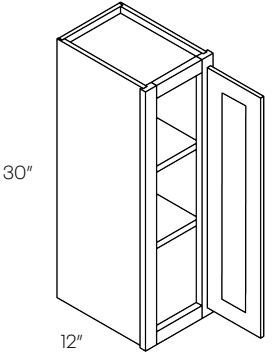


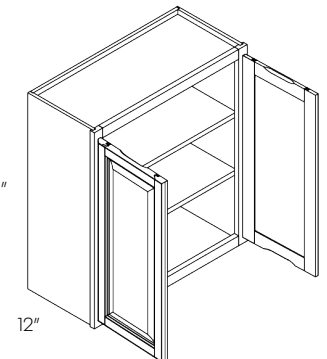
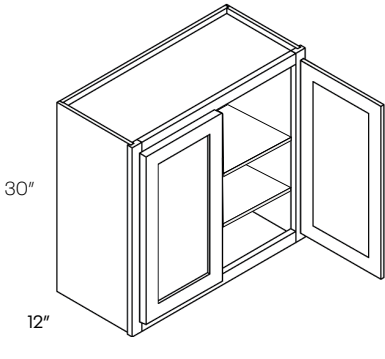
**4824**

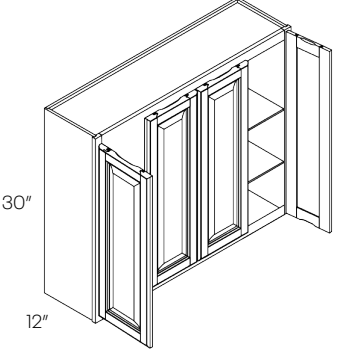
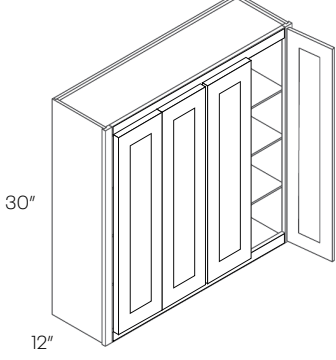
**24" High, 24" Deep Wall Cabinet**



<b>3024X24</b>	701	N/A
<b>3624X24</b>	809	N/A

		Item Number	R	S
<b>30" High 1 Door Wall Cabinet</b>		<b>930</b>	297	276
		<b>1230</b>	331	307
		<b>1530</b>	357	332
		<b>1830</b>	402	373
		<b>2130</b>	481	446

<b>30" High 2 Door Wall Cabinet</b>		<b>2430</b>	513	476
		<b>2730</b>	564	523
		<b>3030</b>	579	537
		<b>3330</b>	628	583
		<b>3630</b>	669	621
		<b>3930</b>	721	669
		<b>4230</b>	767	711

<b>30" High 4 Door Wall Cabinet</b>		<b>4830</b>	868	805
		<b>5430</b>	970	N/A
				

Item Number

R

S

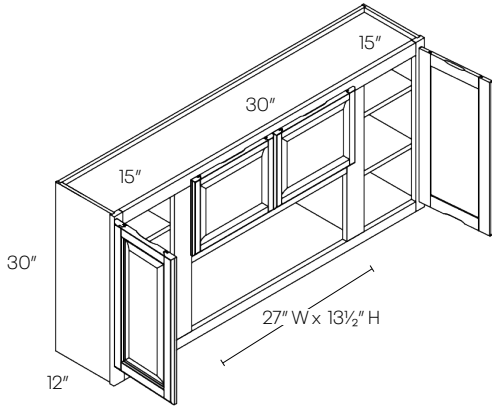
30" High Open Wall Cabinet

6030-O

991

N/A

- Opening Natural Interior Finish



30" High Blind Wall Cabinet

BLW27/3030

729

676

BLW36/3930

871

808

BLW39/4230

846

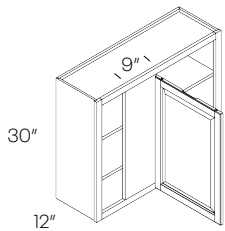
N/A

BLW42/4530

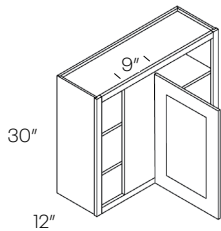
1044

N/A

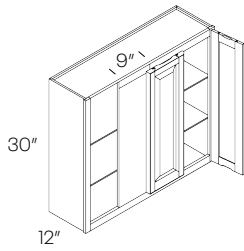
- Reversible L or R
- Can be installed at actual size



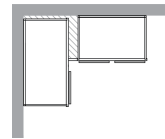
BLW27/BLW36



Dover



BLW39/BLW42



Cabinet	Min. Pull	Max. Pull	Actual Size	Door(s)	Door Opening
BLW27/3030	27"	30"	27"	1230	9" X 27"
BLW36/3930	36"	39"	36"	2130	18" X 27"
BLW39/4230	39"	42"	39"	2430	21" X 27"
BLW42/4530	42"	45"	42"	2730	24" X 27"

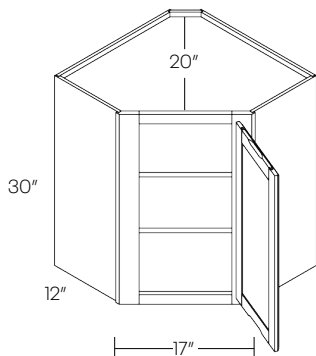
30" High Diagonal Corner Wall Cabinet

CW2430

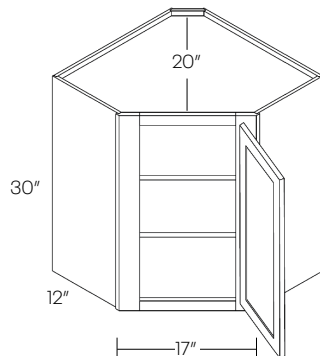
746

693

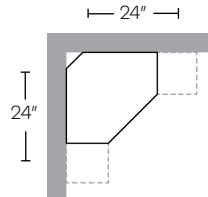
- Requires 24" x 24" wall space



Country Oak

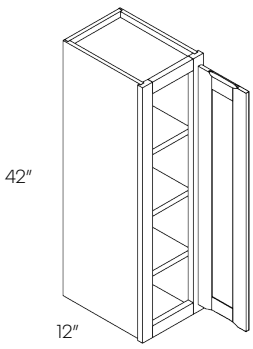
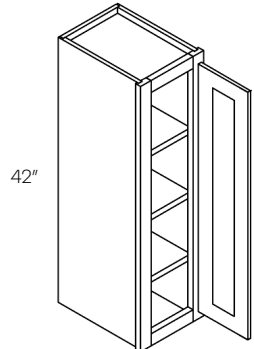


Dover



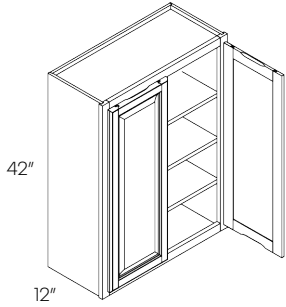
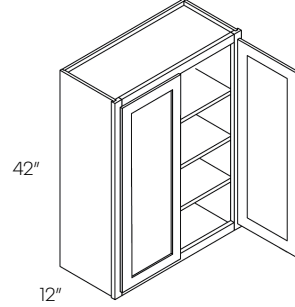
	Item Number	R	S
<b>42" High 1 Door Wall Cabinet</b>	942	400	371
	1242	433	402
	1542	479	444
	1842	532	494
	2142	634	588

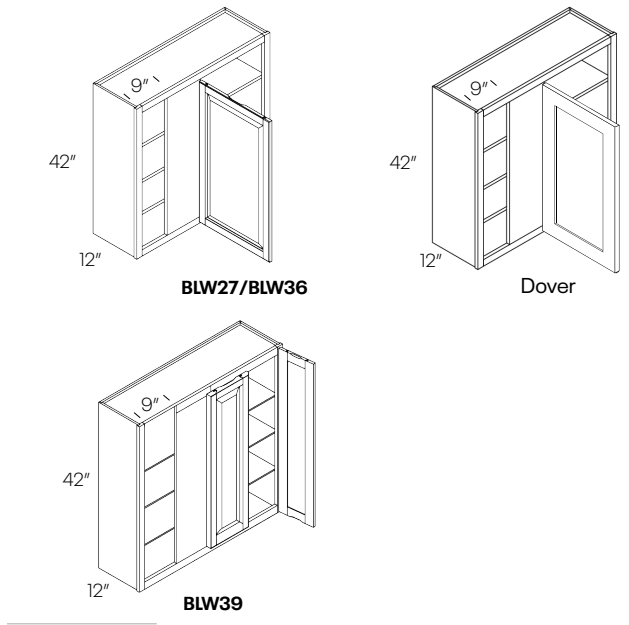
 <p>42" 12" Country Oak</p>	 <p>42" 12" Dover</p>
--	--

<b>42" High 2 Door Wall Cabinet</b>	2442	679	630
	2742	748	694
	3042	776	720
	3342	834	774
	3642	885	821
	4242	1027	953

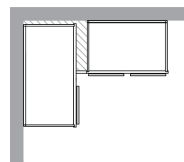
 <p>42" 12" Country Oak</p>	 <p>42" 12" Dover</p>
---	---

<b>42" High Blind Wall Cabinet</b>	BLW27/3042	940	873
	BLW36/3942	1131	1049
	BLW39/4242	1236	N/A



- Reversible L or R
- Can be installed at actual size

Cabinet	Min. Pull	Max. Pull	Actual Size	Door(s)	Door Opening
BLW27/3042	27"	30"	27"	1242	9" X 39"
BLW36/3942	36"	39"	36"	2142	18" X 39"
BLW39/4242	39"	42"	39"	2442	21" X 39"



Item Number

R

S

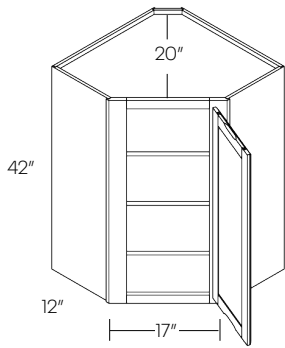
42" High Diagonal Corner Wall Cabinet

CW2442

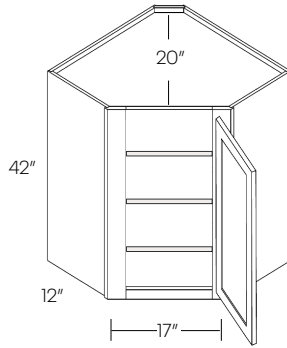
970

900

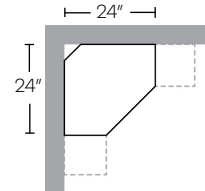
• Requires 24" x 24" wall space



Country Oak



Dover



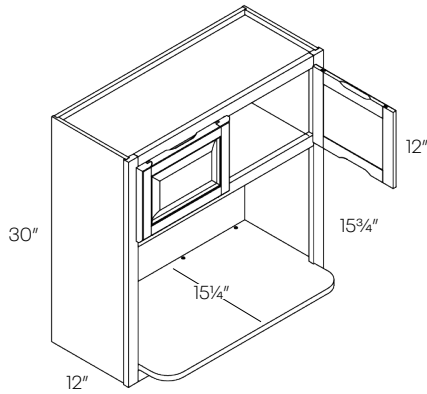
Microwave Cabinet

MW3030

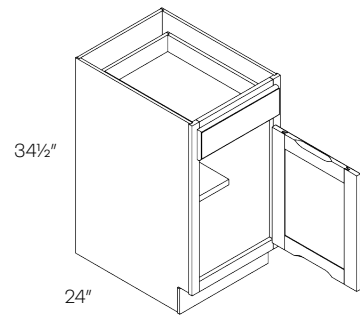
716

N/A

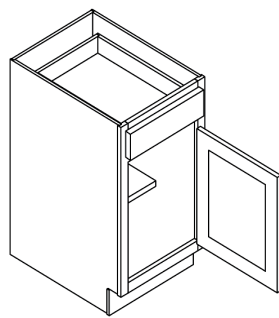
- Opening 27" x 15 3/4"
- Shelf is 15 3/4" deep
- Opening has natural finish
- Shelf ships loose



**1 Door Base Cabinet**



Country Oak

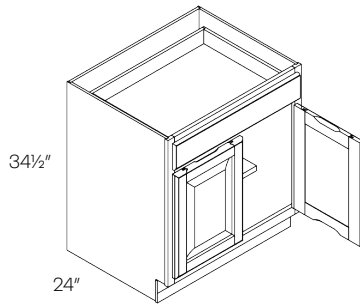


Dover

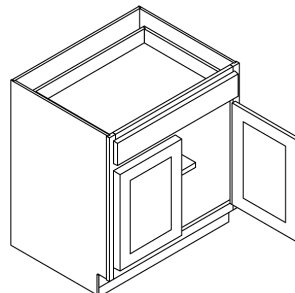
Item Number	R	S
<b>B9</b>	433	N/A
<b>B9-FH</b>	N/A	402
<b>B12</b>	498	462
<b>B15</b>	521	484
<b>B18</b>	548	508
<b>B21</b>	624	579

• 10" Deep Shelf

**1 Drawer 2 Door Base Cabinet**



Country Oak

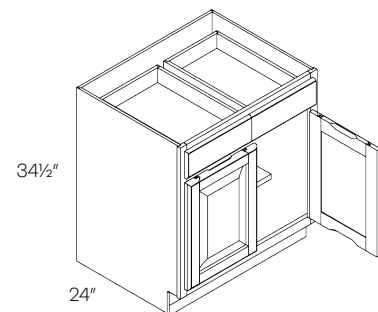


Dover

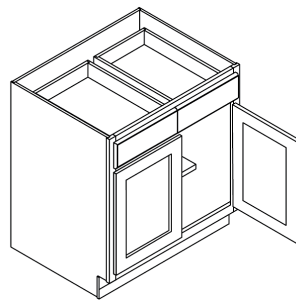
<b>B24</b>	698	648
<b>B27</b>	722	716

• 10" Deep Shelf

**2 Drawer 2 Door Base Cabinet**



Country Oak



Dover

<b>B30</b>	841	780
<b>B33</b>	897	832
<b>B36</b>	940	873
<b>B39</b>	1001	928
<b>B42</b>	1054	978

• 10" Deep Shelf

Item Number

R

S

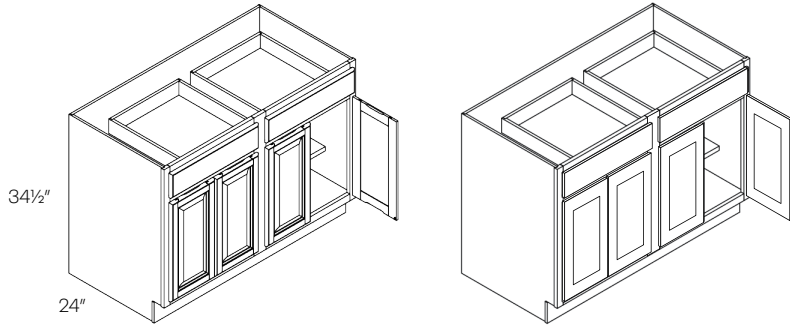
**2 Drawer 4 Door Base Cabinet**

**B48**

1168

1084

• 10" Deep Shelf



**3 Drawer Base Cabinet**

**DB12**

771

715

**DB15**

807

748

**DB18**

832

772

**DB21**

863

801

**DB24**

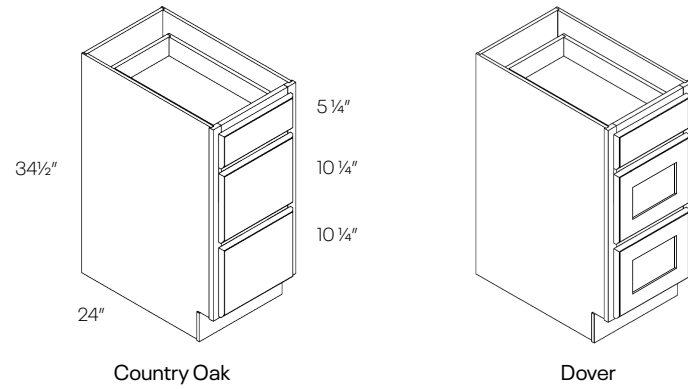
893

828

**DB30**

N/A

905



**Blind Base Cabinet**

**BLB36/39**

889

825

**BLB39/42**

917

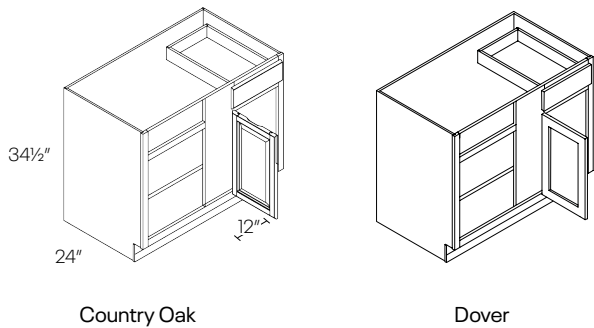
N/A

**BLB42/45**

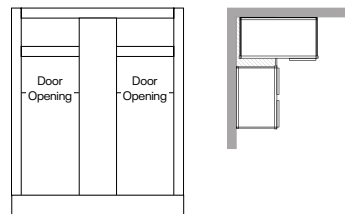
981

N/A

- Reversible Left or Right
- Must be pulled to the minimum position
- \*Left blind shown

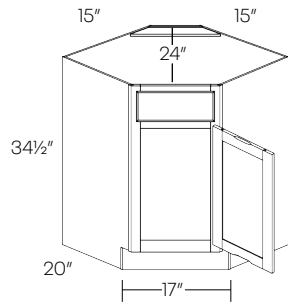


Cabinet	Min. Pull	Max. Pull	Actual Size	Door(s)	Door Opening
BLB36/39	36"	39"	30"	B12	9"
BLB39/42	39"	42"	36"	B15	12"
BLB42/45	42"	45"	42"	B18	15"

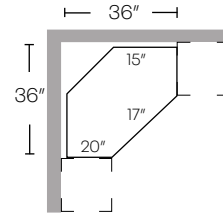


	Item Number	R	S
	<b>Diagonal Corner Sink Base Cabinet</b>	<b>CSB36</b>	1348

• Requires 36" x 36" wall space.



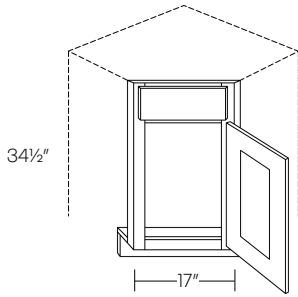
Country Oak



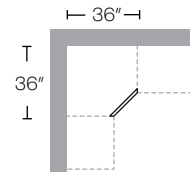
**Diagonal Corner Sink Front**

<b>CSF36*</b>	332	332
<b>CSFFL36 (Floor)</b>	168	168

\*Requires 36" x 36" wall space.  
\*Requires Floor (sold separately)



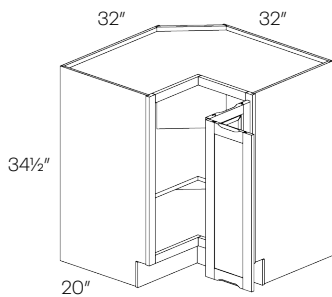
Country Oak



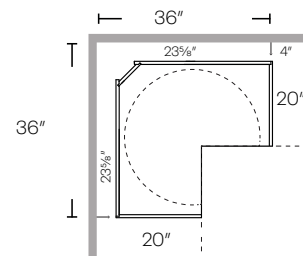
**Carousel Corner Base Cabinet**

<b>CAR36</b>	1444	N/A
--------------	------	-----

• Wood rotating shelf  
• Requires 36" x 36" wall space  
• Pie cut is 12"



Country Oak



Item Number

R

S

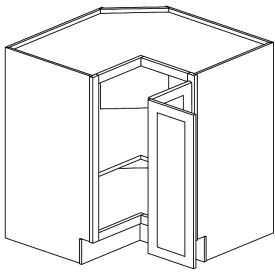
**Lazy Susan Corner Base Cabinet**

LS36

N/A

1340

• Dover only



Dover

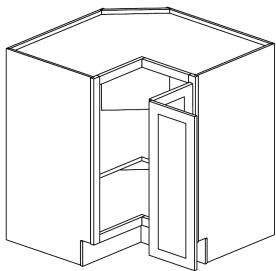
**Easy Reach Corner Base Cabinet**

ER36

N/A

1251

• Dover only



Dover

**1 Drawer Front 2 Door Sink Base**

SB24

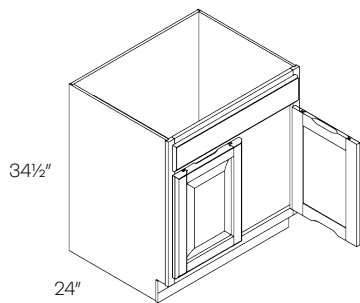
658

611

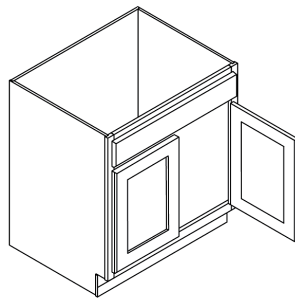
SB27

707

656



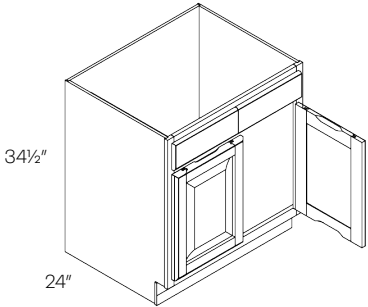
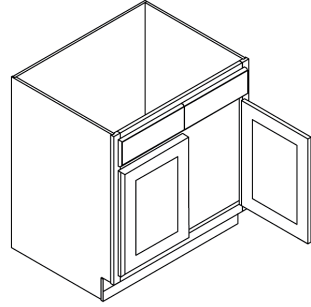
Country Oak



Dover

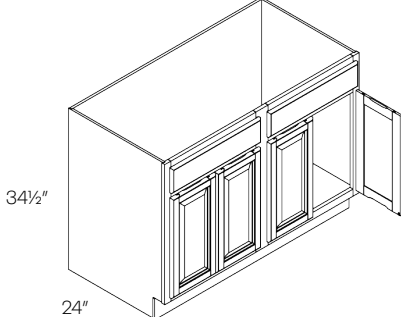
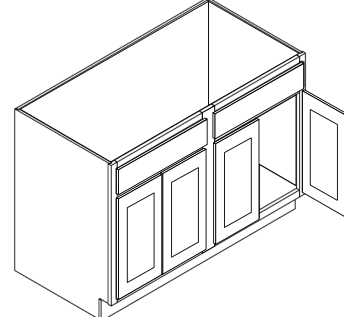
	Item Number	R	S
<b>2 Drawer Front 2 Door Sink Base</b>	SB30	748	694
	SB33	793	736
	SB36	812	754
	SB39	833	773
	SB42	851	790

 <p>34½" 24"</p> <p>Country Oak</p>	 <p>Dover</p>
---	--

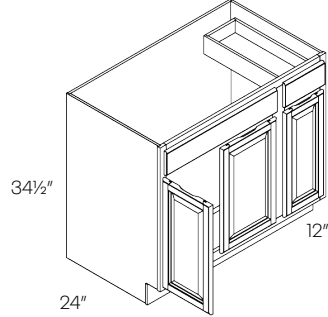
<b>2 Drawer 4 Door Base Cabinet</b>	SB48	957	888
-------------------------------------	------	-----	-----

 <p>34½" 24"</p> <p>Country Oak</p>	 <p>Dover</p>
--	---

<b>Combination Sink Base Cabinet</b>	SB42RD	862	N/A
	SB42LD	862	N/A

 <p>34½" 24" 12"</p> <p>Country Oak</p>	<ul style="list-style-type: none"> <li>• Drawer is 12" wide</li> <li>• Right Drawer (RD) shown</li> </ul>
---	---

Item Number

R

S

**Combination Sink Base Cabinet**

**SB54**

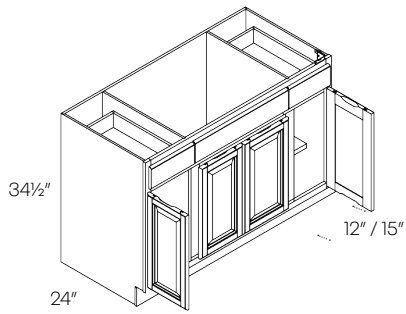
1067

N/A

**SB60**

1401

N/A

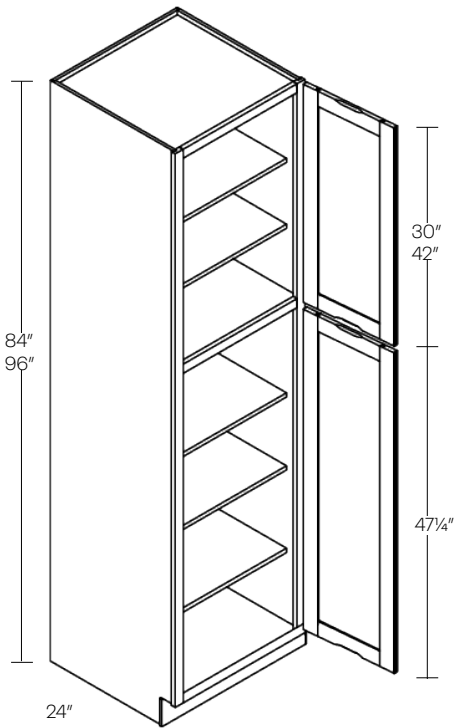


Country Oak

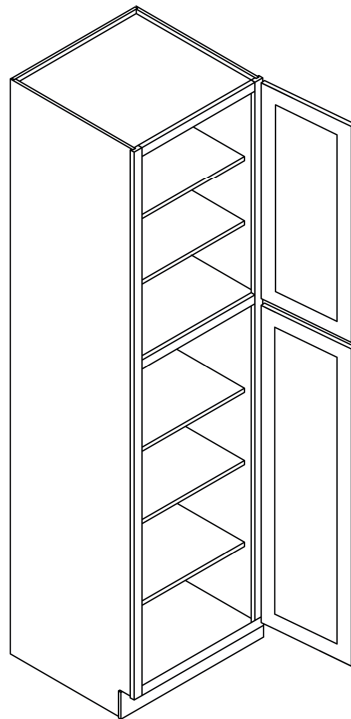
	Door	Sink	Door
SB54	12"	30"	12"
SB60	15"	30"	15"

Single Door Utility Cabinet

Item Number	R	S
<b>UC1824X84*</b>	1661	1541
<b>UC1824X96*</b>	2161	2005



Country Oak



Dover

- 3 bottom adjustable shelves
- 84" has 2 upper shelves
- 96" has 3 upper shelves

Item Number

R

S

Double Door Utility Cabinet

UC2424X84\*

1912

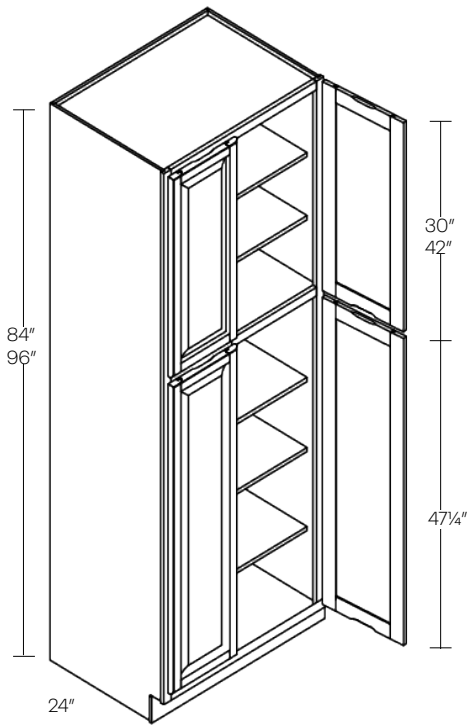
1774

UC2424X96\*

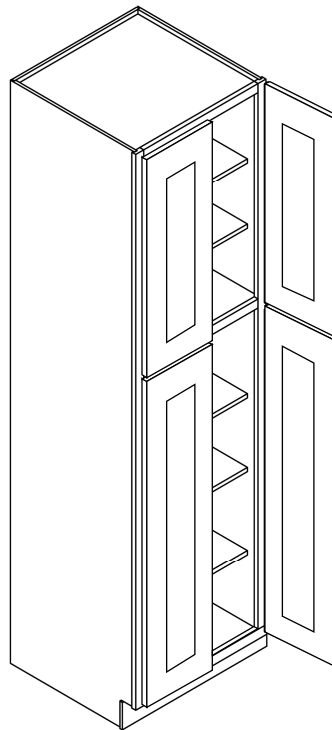
2415

2241

- 3 bottom adjustable shelves
- 84" has 2 upper shelves
- 96" has 3 upper shelves
- \*POS not available



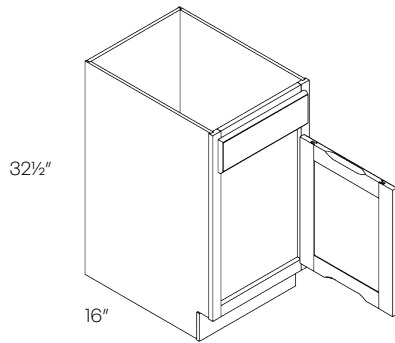
Country Oak



Dover

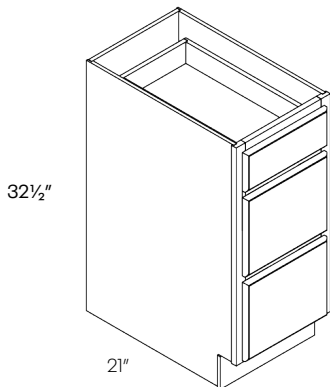
	Item Number	R	S
<b>1 Door Vanity Sink Base Cabinet</b>	<b>V1816-32.5</b>	146	N/A

• Country Oak only



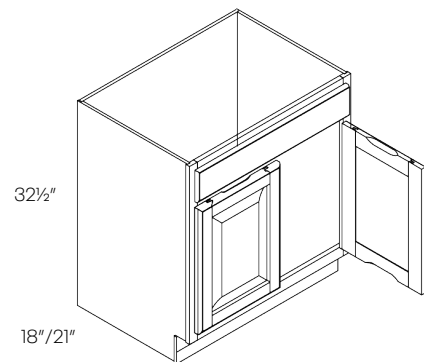
<b>Vanity Drawer Base Cabinet</b>	<b>VDB15-32.5</b>	713	N/A
	<b>VDB18-32.5</b>	730	N/A

• Country Oak only



<b>2 Door Vanity Sink Base Cabinet</b>	<b>V2418-32.5</b>	400	N/A
	<b>V3018-32.5</b>	509	N/A
	<b>V2421-32.5</b>	431	N/A
	<b>V3021-32.5</b>	539	N/A
	<b>V3621-32.5</b>	671	N/A

• Country Oak only



Item Number

R

S

**1 Door 2 Drawer Vanity Sink Base Cabinet**

V2421D-32.5

622

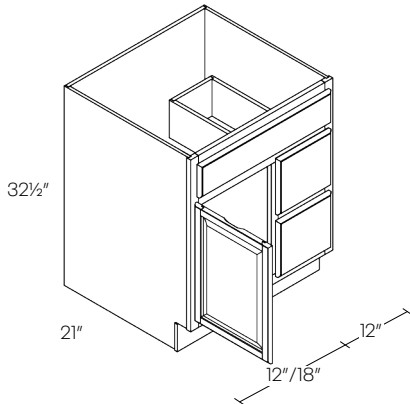
N/A

V3021D-32.5

852

N/A

- Drawers on right hand side only
- Country Oak only



**2 Door 2 Drawer Vanity Sink Base Cabinet**

V3621D-32.5

963

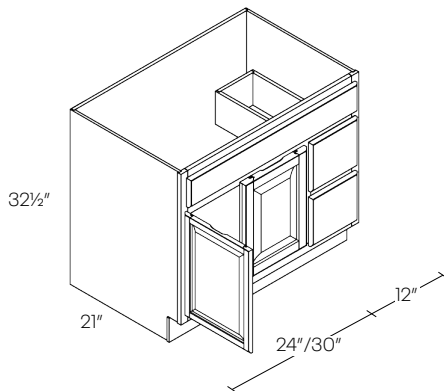
N/A

V4221D-32.5

976

N/A

- Drawers on right hand side only
- Country Oak only



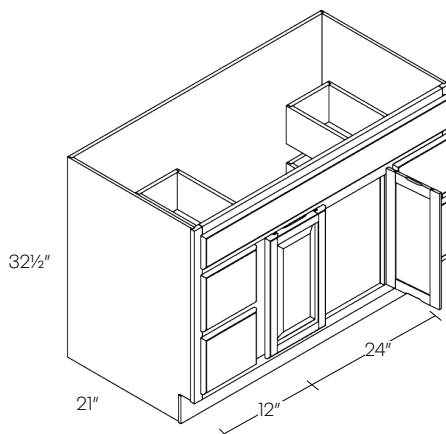
**2 Door 4 Drawer Vanity Sink Base Cabinet**

V4821DD-32.5

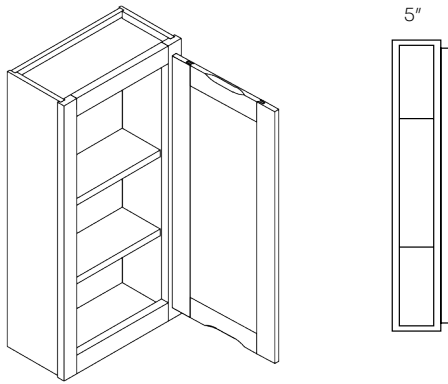
1017

N/A

- Country Oak only

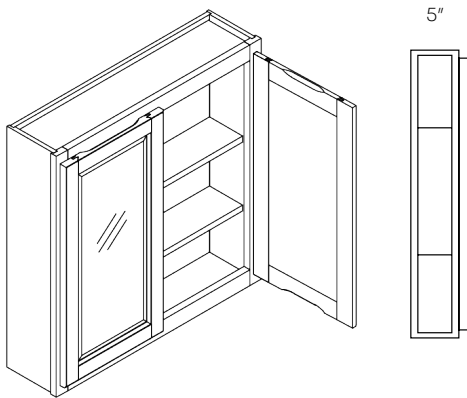


	Item Number	R	S
<b>Single Door Medicine Cabinet</b>	<b>MC1830</b>	285	N/A



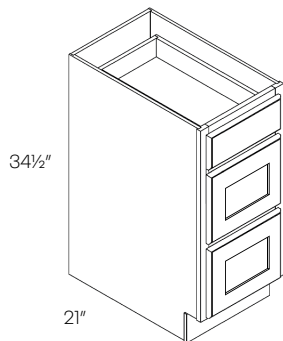
• Country Oak only

<b>Double Door Medicine Cabinet</b>	<b>MC2430</b>	508	N/A
	<b>MC3030</b>	567	N/A
	<b>MC3630</b>	638	N/A



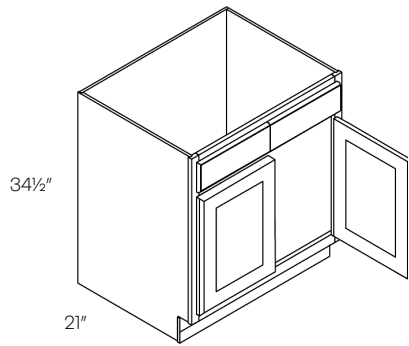
• Country Oak only

<b>Vanity Drawer Base Cabinet</b>	<b>VDB12</b>	N/A	709
	<b>VDB15</b>	N/A	751
	<b>VDB18</b>	N/A	769



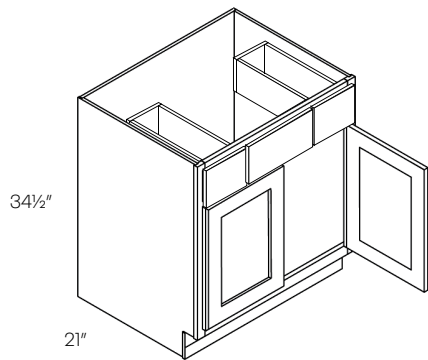
• Dover only

	Item Number	R	S
<b>2 Door Vanity Base Cabinet</b>	V24	N/A	433
	V24-HA	N/A	433
	V2418	N/A	400
	V30	N/A	540
	V30-HA	N/A	540
	V36	N/A	652
	V36-HA	N/A	652



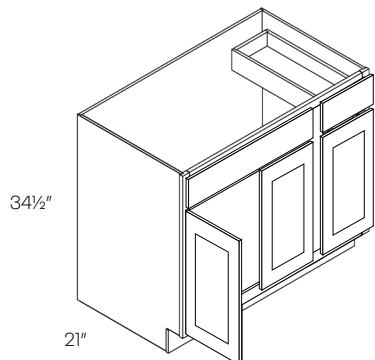
• Dover only

<b>2 Door 2 Drawer Vanity Base Cabinet</b>	VSB36	N/A	794
	VSB42	N/A	851



• Dover only

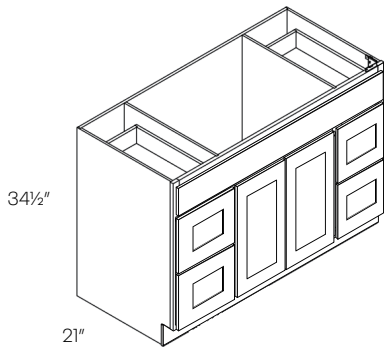
<b>Combination Vanity Sink Base Cabinet</b>	VB42	N/A	971
---	------	-----	-----



• Dover only

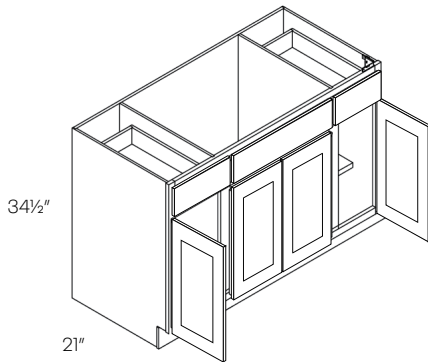
	Item Number	R	S
<b>2 Door 4 Drawer Vanity Sink Base Cabinet</b>	<b>V48DD</b>	N/A	1118

• Dover only



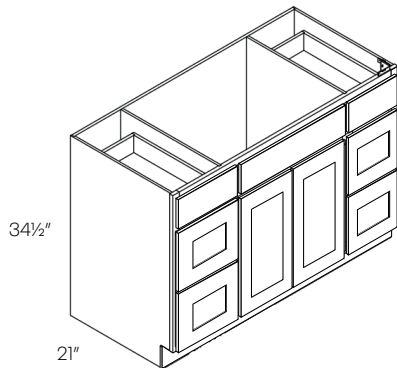
<b>4 Door 2 Drawer Vanity Sink Base Cabinet</b>	<b>VB48</b>	N/A	1107
	<b>VB60</b>	N/A	1219

• Dover only



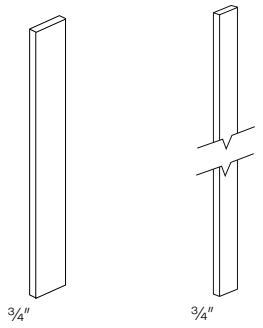
<b>2 Door 6 Drawer Vanity Base Cabinet</b>	<b>V60DD</b>	N/A	1358
--	--------------	-----	------

• Dover only



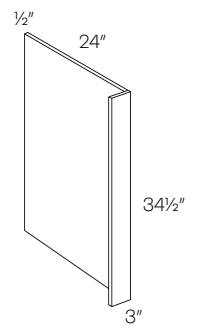
Filler	Item Number	R	S
		F330	58
F630	98	101	
F342	75	77	
F642	131	135	
F396	175	180	
F696	291	299	

• Fillers finished on all 4 sides



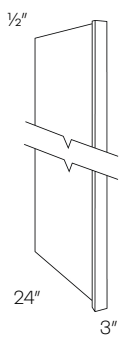
F330/F630/F342/F642      F396/F696

Base End Panel	DWR3	297	306
----------------	------	-----	-----



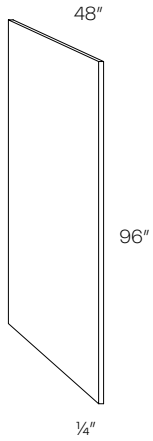
DWR

Refrigerator End Panel	REP384	514	529
	REP396	566	583

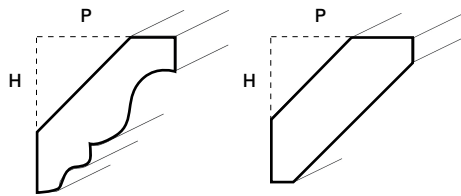


REP3

	Item Number	R	S
<b>Plywood Panel</b>	<b>PLY4X8</b>	449	460



<b>Crown Molding</b>	<b>CRM</b>	155	159
	<b>CRMS</b>	N/A	159

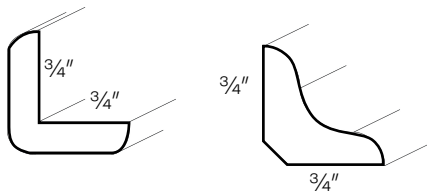


**CRM**  
Height: 2"  
Projection: 2"

**CRMS**  
Height: 2"  
Projection: 2"

• 8 feet long

<b>Corner Molding</b>	<b>OCM</b>	118	121
	<b>ICM</b>	118	121



**OCM**

**ICM**

• 8 feet long

Item Number

R

S

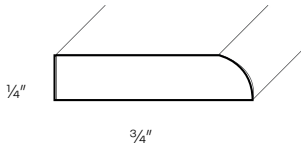
**Scribe Molding**

SCM

96

98

• 8 feet long



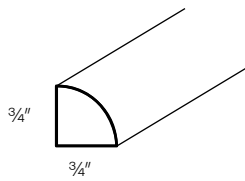
**Shoe Molding**

SHM

N/A

134

• 8 feet long



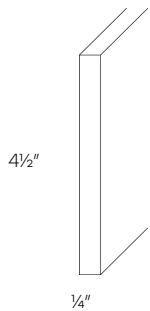
**Toe Kick**

TKS

98

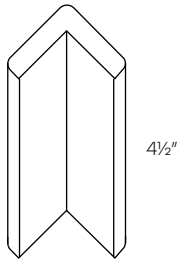
101

• 8 feet long

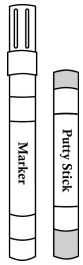


	Item Number	R	S
<b>Toe Kick End Cap</b>	<b>TKS-CAP</b>	57	57

• Top and bottom sides are finished



	TUP	110	113
<b>Touch Up Kit</b>			

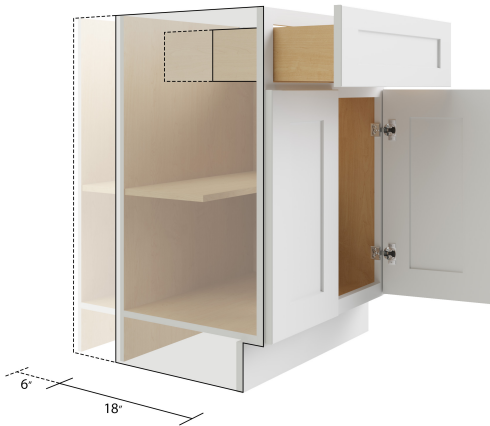


**TUP**

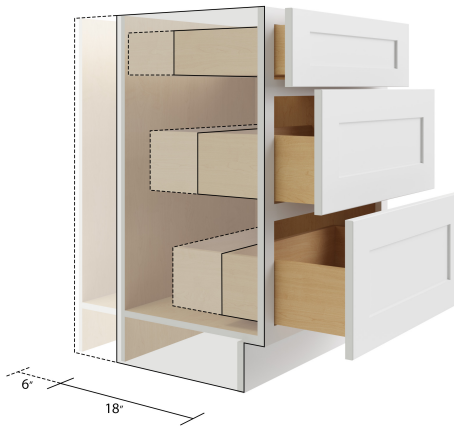
# Modifications & Upgrades



Wall Cabinet



Base Cabinet



Drawer Base Cabinet

\*Dovetail not in back



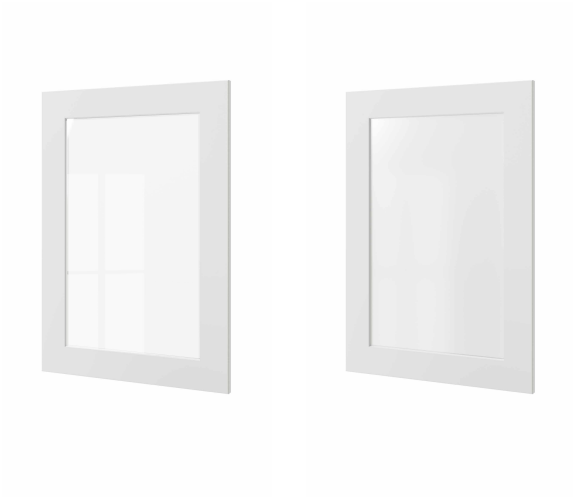
Tall Cabinet

Cut Down Depth	Description	List Price
CT-CUT-DEEP-B*	Base cabinet, cut down depth	400
CT-CUT-DEEP-DB*	Drawer base cabinet, cut down depth	500
CT-CUT-DEEP-T*	Tall cabinet, cut down depth	500
CT-CUT-DEEP-W**	Wall cabinet, cut down depth	400

\*Can be cut down to 9", 12", 15", 18" & 21" | \*\*Can be cut down to 6", 9" & 11"  
 \*All 9" Base Cabinets will have a dummy drawer front

Item	Description	List Price
<b>CT-DCG</b>	Door cut for glass	205
<b>CT-DCG-GLI</b>	Door cut and insert glass	381
<b>CT-DCG-GLI-F</b>	Door cut and insert frosted glass	381

**Door cut for glass**



- Only Wall Cabinets can be cut for glass
- Loose glass not for sale
- \*Per door cost shown above



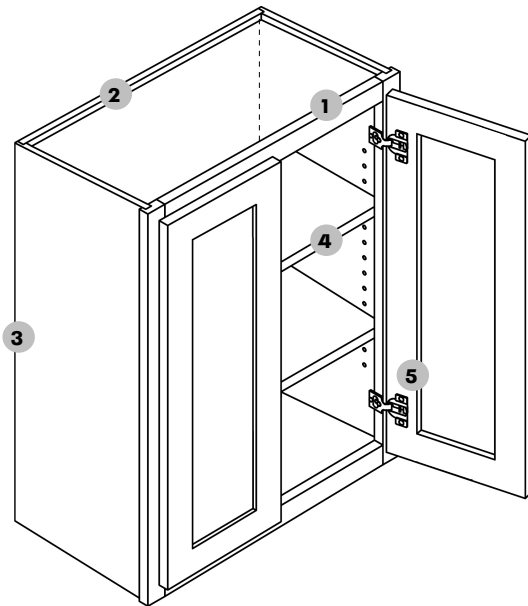
# LUXOR

BY CNC CABINETRY

Cabinet & Door Information

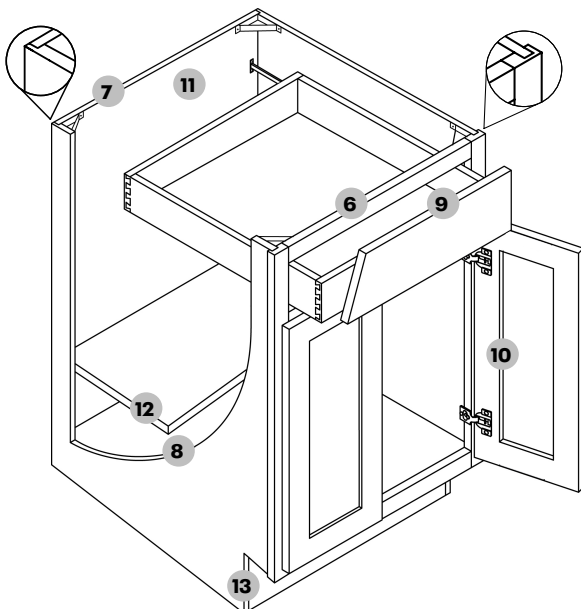
## Luxor

Semi-full Overlay  
1/2" Reveal



- 1 **Frame** — 3/4" thick Solid Wood, 1½" wide, kiln-dried solid hardwood. Assembled with glue and nails, under clamp pressure, which ensures squareness.
- 2 **Back panel** — Made of 1/2" plywood. Dado joints stapled into cabinet sides, glued and screwed into top and bottom.
- 3 **End panel** — Top and bottom 1/2" plywood substrate, with light maple woodgrain laminate interior. Matching exterior.
- 4 **Shelves** — 3/4" thick, plywood; fully adjustable.
- 5 **Hinges** — Heavy duty steel concealed hinge, adjustable with soft-close mechanism.

\*36" and 42" Wall cabinets will have 3 hinges

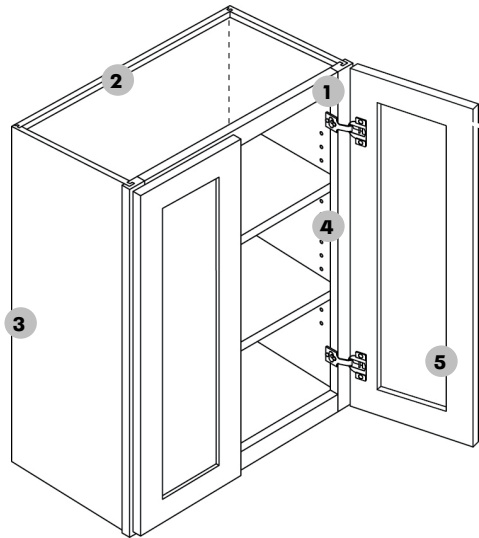


- 6 **Base frame** — 3/4" thick Solid Wood, 1½" wide, kiln-dried solid hardwood. Assembled with glue and nails, under clamp pressure, which ensures squareness.
- 7 **Back panel** — Made of 1/2" plywood. Dado joints stapled into cabinet sides, glued and screwed into top and bottom.
- 8 **End panel** — 1/2" plywood substrate, with light maple woodgrain laminate interior. Matching exterior.
- 9 **Drawers** — 5/8" solid wood Dovetail sides 3/8" thick bottom
- 10 **Hinges** — Heavy duty steel concealed hinge, adjustable with soft-close mechanism.
- 11 **Glides** — 3/4" extension, high quality soft-close under mounted glides.
- 12 **Shelves** — 3/4" thick, plywood; fully adjustable. (10" deep)
- 13 **Toe kick** — 4½" Toe kick with 3" inset on all standard base and vanity cabinets.

\* All modifications require cabinets to be assembled.

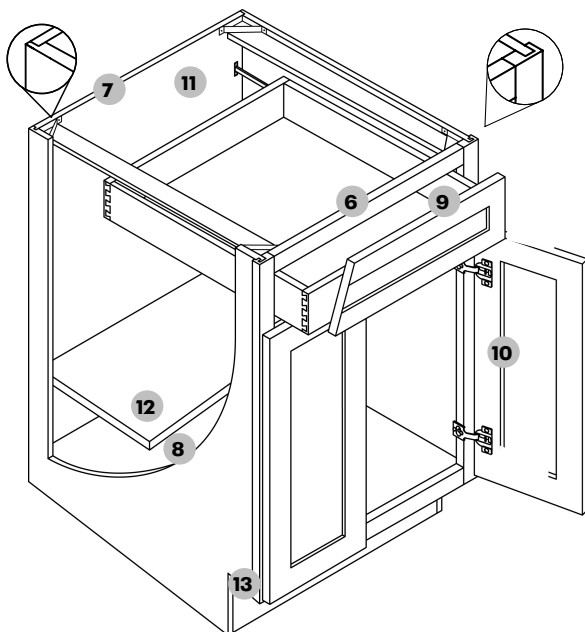
# Glencove

Full Overlay  
1/4" Reveal



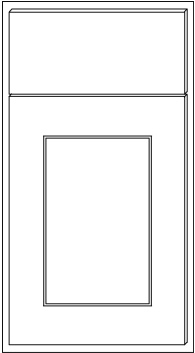
- 1 **Frame** — 3/4" thick Solid Wood, 1 1/2" wide, kiln-dried solid hardwood. Assembled with glue and nails, under clamp pressure, which ensures squareness.
- 2 **Back panel** — Made of 1/2" plywood. Dado joints stapled into cabinet sides, glued and screwed into top and bottom.
- 3 **End panel** — Top and bottom 1/2" plywood substrate, with light maple woodgrain laminate interior. Matching exterior.
- 4 **Shelves** — 3/4" thick, plywood; fully adjustable.
- 5 **Hinges** — Heavy duty steel concealed hinge, adjustable with soft-close mechanism.

\*36" and 42" Wall cabinets will have 3 hinges



- 6 **Base frame** — 3/4" thick Solid Wood, 1 1/2" wide, kiln-dried solid hardwood. Assembled with glue and nails, under clamp pressure, which ensures squareness.
- 7 **Back panel** — Made of 1/2" plywood. Dado joints stapled into cabinet sides, glued and screwed into top and bottom.
- 8 **End panel** — 1/2" plywood substrate, with light maple woodgrain laminate interior. Matching exterior.
- 9 **Drawers** — 5/8" solid wood Dovetail sides 3/8" thick bottom.
- 10 **Hinges** — Heavy duty steel concealed hinge, adjustable with soft-close mechanism.
- 11 **Glides** — Full extension, high quality soft-close under mounted glides.
- 12 **Shelves** — 3/4" thick, plywood; fully adjustable. (10" deep)
- 13 **Toe kick** — 4 1/2" Toe kick with 3" inset on all standard base and vanity cabinets.

## Luxor

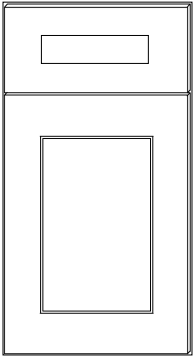


A semi-full overlay with 1/2" reveal, 2 1/2" wide shaker style MDF door and center panel, Mortise and Tenon construction, slab drawer front.

Finish	Price Code (Slab)	Price Code (5 Panel)
L02 - Smoky Grey (stain) (Birch/Hardwood door)	L	Z
L03-Misty Grey (paint) (MDF door)	L	Z
L05-Harvest (stain) (Hardwood door)	L	Z
L10-White (paint) (MDF door)	L	Z
L11-Espresso (stain) (Birch/Hardwood door)	L	Z

- Glass doors are available for wall and base cabinets
- Birch Frame
- Stain finishes have a MDF veneer center panel

## Glencove



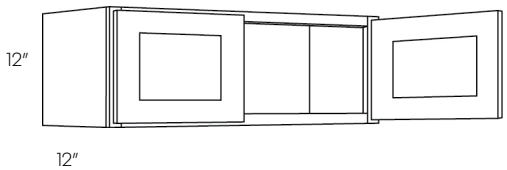
A full overlay with 1/4" reveal, 2 1/2" wide shaker style MDF door and center panel, Mortise and Tenon construction, 5 piece drawer front.

Finish	Price Code
G01 -Sleek White (paint) (MDF door)	T
G07 - Saddle (stain) (Birch/Hardwood door)	T
G10 - White (paint) (MDF door)	T

# Specifications & Pricing

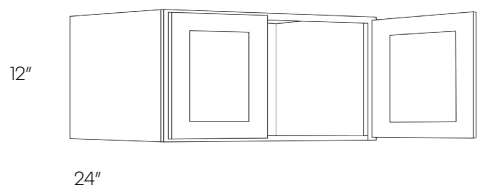
	Item Number	L	T
<b>12" High Wall Cabinet</b>	<b>3012</b>	381	420
	<b>3312</b>	395	435
	<b>3612</b>	429	472
	<b>3912</b>	463	510

• No Shelf



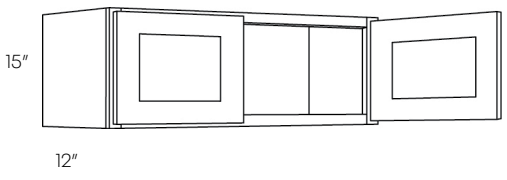
<b>12" High, 24" Deep Wall Cabinet</b>	<b>3612X24</b>	572	630
	<b>3912X24</b>	617	679

• No Shelf

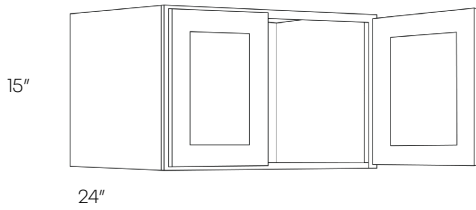


<b>15" High Wall Cabinet</b>	<b>2415</b>	376	414
	<b>3015</b>	387	426
	<b>3315</b>	404	445
	<b>3615</b>	429	472
	<b>3915</b>	473	521

• No Shelf



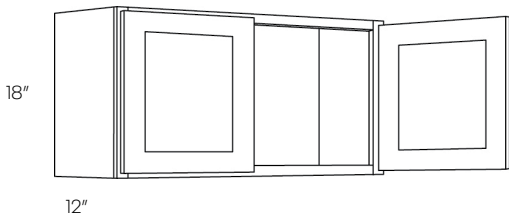
**15" High, 24" Deep Wall Cabinet**



Item Number	L	T
<b>3015X24</b>	520	572
<b>3615X24</b>	579	637
<b>3915X24</b>	636	700

• No Shelf

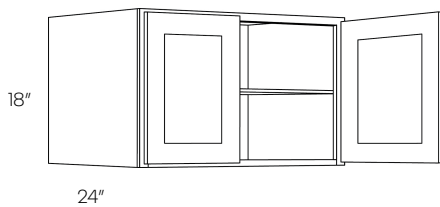
**18" High Wall Cabinet**



<b>2118 (1Door)</b>	357	393
<b>2418</b>	376	414
<b>2718</b>	384	423
<b>3018</b>	393	433
<b>3318</b>	426	469
<b>3618</b>	488	537
<b>3918</b>	546	601

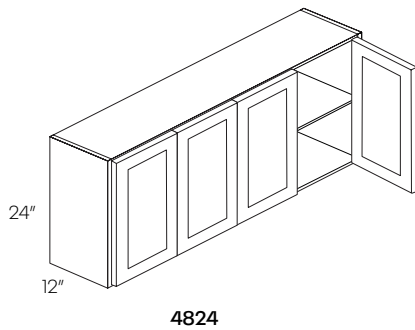
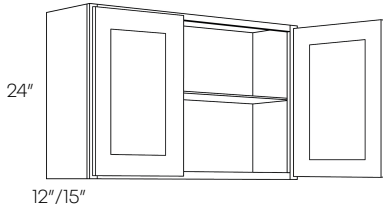
• No Shelf

**18" High, 24" Deep Wall Cabinet**



<b>3018X24</b>	579	637
<b>3318X24</b>	638	702
<b>3618X24</b>	652	718
<b>3918X24</b>	665	732

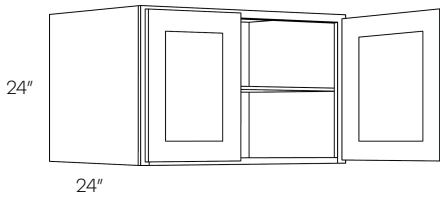
**24" High Wall Cabinet**



Item Number	L	T
1824 (1 Door)	401	442
2424	516	568
2724	529	582
3024	540	594
3024X15	549	N/A
3324	575	633
3624	618	680
3924	675	743
4224	735	809
4824 (4 Door)	821	904

• Has One Shelf

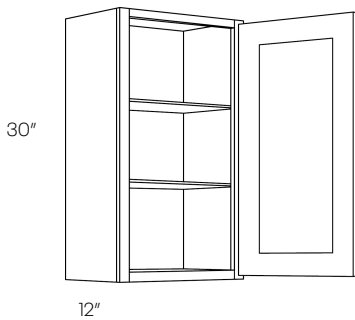
**24" High, 24" Deep Wall Cabinet**



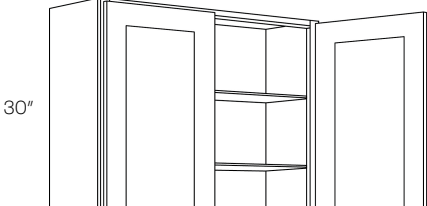
3024X24	722	795
3324X24	778	856
3624x24	834	918
3924x24	918	1010

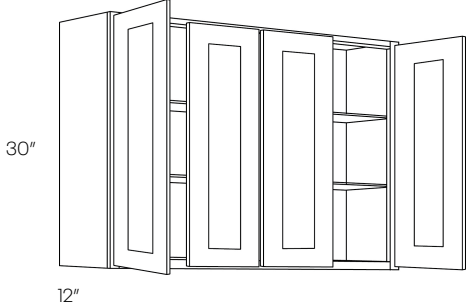
• Has One Shelf

**30" High 1 Door Wall Cabinet**



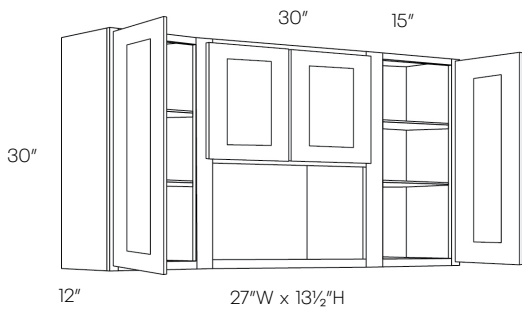
930	306	337
1230	341	376
1530	368	405
1830	414	456
2130	495	545

	Item Number	L	T
<b>30" High 2 Door Wall Cabinet</b> 	2430	528	581
	2730	581	640
	3030	596	656
	3330	647	712
	3630	689	758
	3930	743	818
	4230	790	870

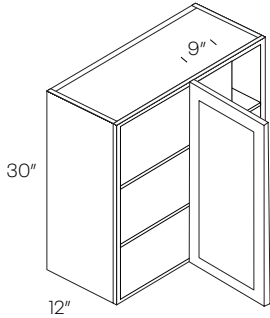
<b>30" High 4 Door Wall Cabinet</b> 	4830	894	984
	5430	999	N/A

<b>30" High Open Wall Cabinet</b>	6030-O	1021	N/A
-----------------------------------	--------	------	-----

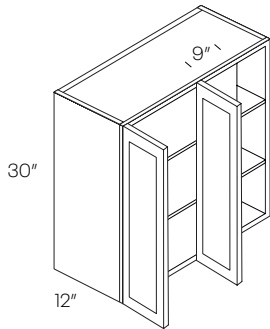
• Opening Natural Interior Finish



30" High Blind Wall Cabinet



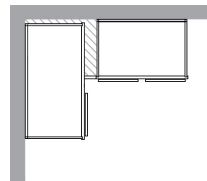
BLW27/BLW36



BLW42/BLW45

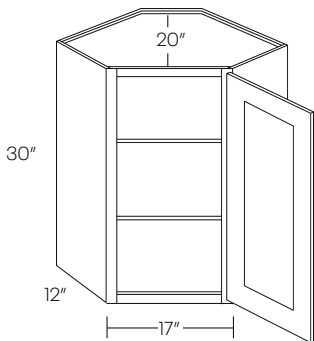
Item Number	L	T
BLW27/3030	751	827
BLW30/3330	824	907
BLW36/3930	897	987
BLW42/4530	1076	1184
BLW45/4830	1125	1238

- Reversible Left or Right
- Can be installed at actual size



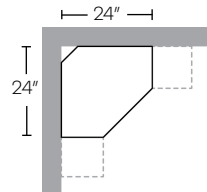
Cabinet	Min. Pull	Max. Pull	Actual Size	Door(s)	Door Opening
BLW27/3030	27"	30"	27"	1230	9" X 27"
BLW30/3330	30"	33"	30"	1530	12" X 27"
BLW36/3930	36"	39"	36"	2130	18" X 27"
BLW42/4530	42"	45"	42"	2730	24" X 27"
BLW45/4830	45"	48"	45"	3030	27" X 27"

30" High Diagonal Corner Wall Cabinet

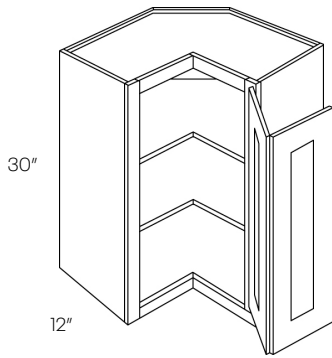


CW2430	769	846
--------	-----	-----

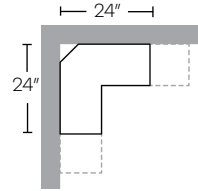
- Requires 24"x24" wall space



	Item Number	L	T
<b>30" High Corner Wall Cabinet</b>	<b>WSQ2430</b>	885	974

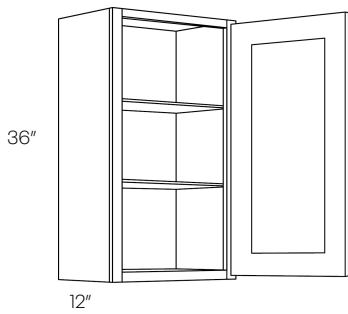


- Requires 24" X 24" wall space
- Pie is 12" X 12"



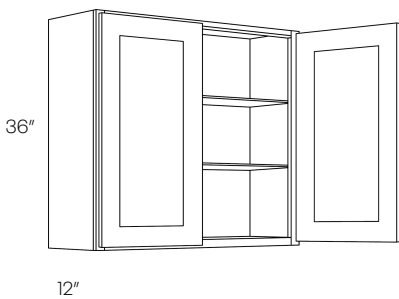
**36" High 1 Door Wall Cabinet**

<b>936</b>	349	384
<b>1236</b>	387	426
<b>1536</b>	418	460
<b>1836</b>	471	519
<b>2136</b>	562	619

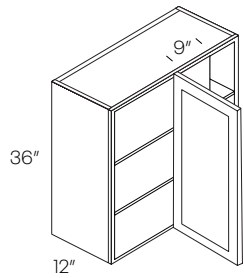


**36" High 2 Door Wall Cabinet**

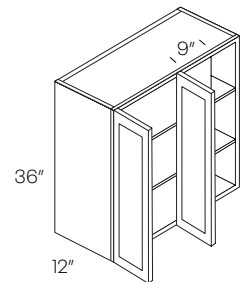
<b>2436</b>	602	663
<b>2736</b>	660	727
<b>3036</b>	680	749
<b>3336</b>	740	815
<b>3636</b>	786	865
<b>4236</b>	897	987



**36" High Blind Wall Cabinet**



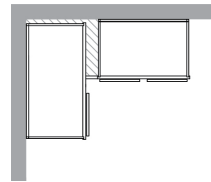
BLW27/BLW36



BLW42

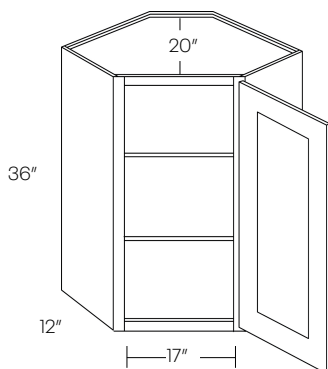
Item Number	L	T
BLW27/3036	854	940
BLW30/3336	940	1034
BLW36/3936	1025	1128
BLW42/4536	1111	1223

- Reversible Left or Right
- Can be installed at actual size



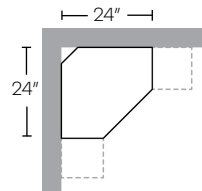
Cabinet	Min. Pull	Max. Pull	Actual Size	Door(s)	Door Opening
BLW27/3036	27"	30"	27"	1236	9" X 33"
BLW30/3336	30"	33"	30"	1536	12" X 33"
BLW36/3936	36"	39"	36"	2136	18" X 33"
BLW42/4536	42"	45"	42"	2736	24" X 33"

**36" High Diagonal Corner Wall Cabinet**

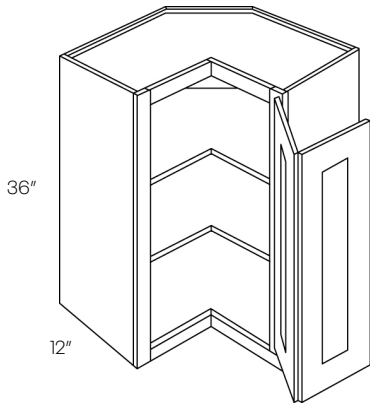


Item Number	L	T
CW2436	878	966

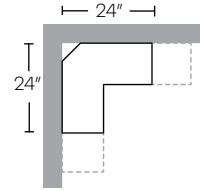
- Requires 24"x24" wall space



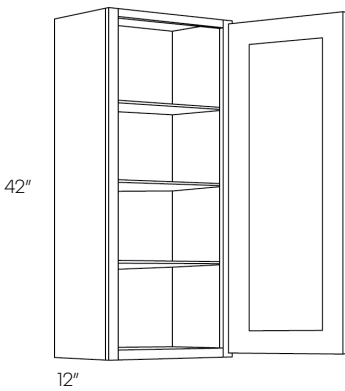
	Item Number	L	T
<b>36" High Corner Wall Cabinet</b>	<b>WSQ2436</b>	931	1025



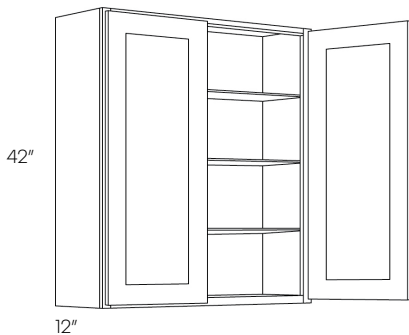
- Requires 24" X 24" wall space
- Pie is 12" X 12"



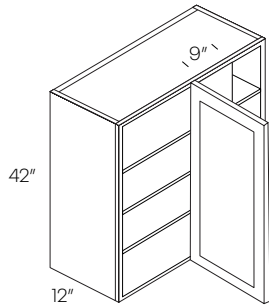
<b>42" High 1 Door Wall Cabinet</b>	<b>942</b>	412	454
	<b>1242</b>	446	491
	<b>1542</b>	493	543
	<b>1842</b>	548	603
	<b>2142</b>	653	719



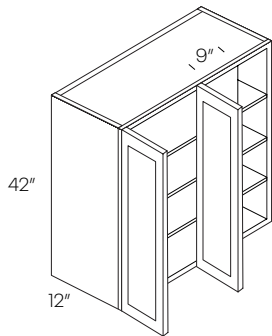
<b>42" High 2 Door Wall Cabinet</b>	<b>2442</b>	700	771
	<b>2742</b>	771	849
	<b>3042</b>	799	879
	<b>3342</b>	859	945
	<b>3642</b>	912	1004
	<b>4242</b>	1058	1164



**42" High Blind Wall Cabinet**



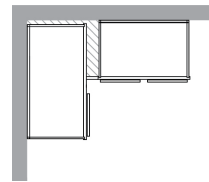
**BLW27/BLW36**



**BLW42**

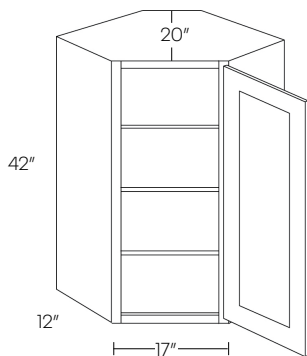
Item Number	L	T
<b>BLW27/3042</b>	969	1066
<b>BLW30/3342</b>	1067	1174
<b>BLW36/3942</b>	1165	1282
<b>BLW42/4542</b>	1263	N/A

- Reversible Left or Right
- Can be installed at actual size



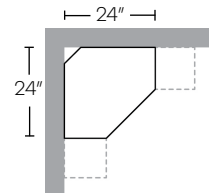
Cabinet	Min. Pull	Max. Pull	Actual Size	Door(s)	Door Opening
BLW27/3042	27"	30"	27"	1242	9" X 39"
BLW30/3342	30"	33"	30"	1542	12" X 39"
BLW36/3942	36"	39"	36"	2142	18" X 39"
BLW42/4542	42"	45"	42"	2742	24" X 39"

**42" High Diagonal Corner Wall Cabinet**



Item Number	L	T
<b>CW2442</b>	999	1099

- Requires 24"x24" wall space



Item Number

L

T

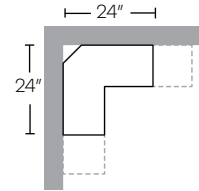
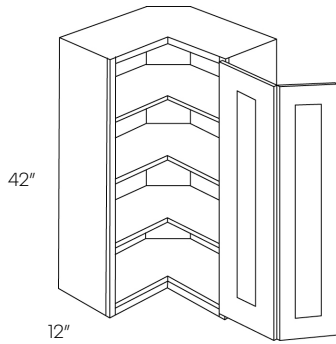
**42" High Corner Wall Cabinet**

**WSQ2442**

1155

1271

- Requires 24" X 24"
- Pie is 12" X 12"



**Single Door Wall End Cabinet**

**WEC1230**

359

395

**WEC1236**

409

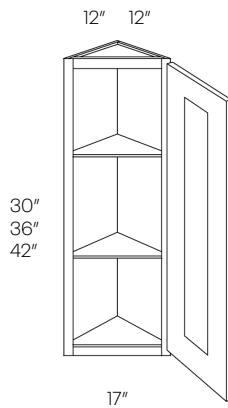
450

**WEC1242**

455

501

- 42" has 3 shelves



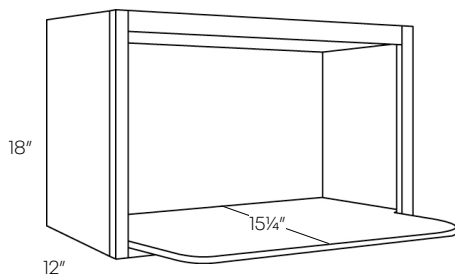
**Microwave Cabinet Shelf**

**MW3018**

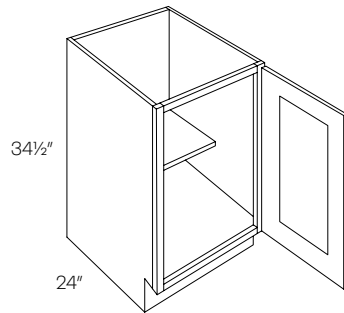
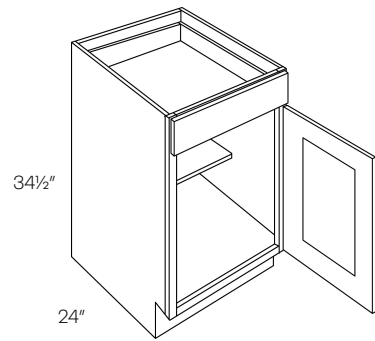
518

570

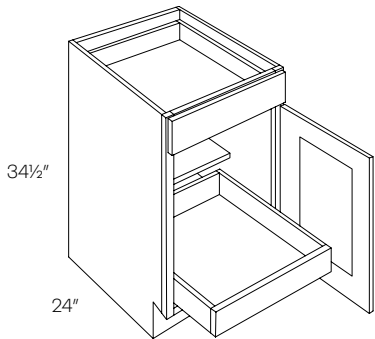
- Opening 27" X 14 1/4"
- Shelf ships loose
- Depth of the shelf may be cut-down field
- Finished Interior



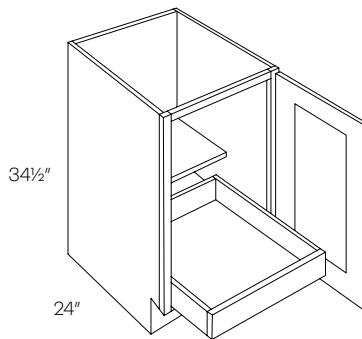
1 Door Base Cabinet



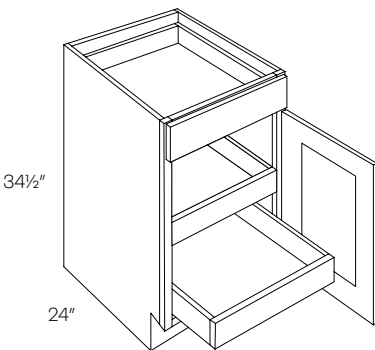
Full Height



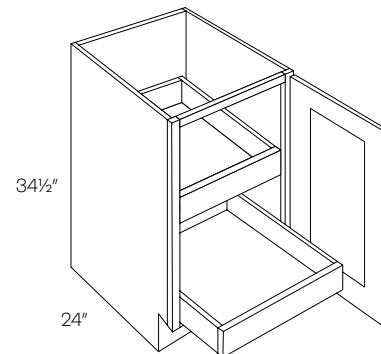
1POS



Full Height W/ 1POS



2POS



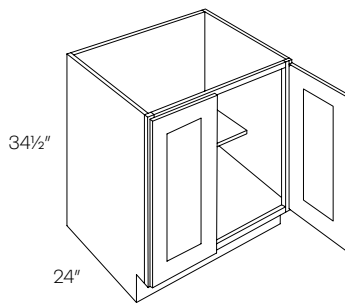
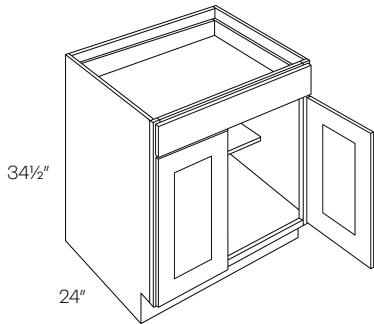
Full Height W/ 2POS

Item Number	L	T	Z
<b>B9</b>	446	491	458
<b>B12</b>	513	565	526
<b>B15</b>	537	591	551
<b>B18</b>	564	621	579
<b>B21</b>	643	708	660
<b>B9-FH</b>	446	491	N/A
<b>B12-FH</b>	513	565	N/A
<b>B15-FH</b>	537	591	N/A
<b>B18-FH</b>	564	621	N/A
<b>B21-FH</b>	643	708	N/A
<b>B12-POS1</b>	777	888	796
<b>B15-POS1</b>	808	924	828
<b>B18-POS1</b>	855	978	876
<b>B21-POS1</b>	938	1078	961
<b>B12-FH-POS1</b>	777	888	N/A
<b>B15-FH-POS1</b>	808	924	N/A
<b>B18-FH-POS1</b>	855	978	N/A
<b>B21-FH-POS1</b>	938	1078	N/A
<b>B12-POS2</b>	987	1211	1012
<b>B15-POS2</b>	1028	1257	1054
<b>B18-POS2</b>	1101	1335	1129
<b>B21-POS2</b>	1195	1448	1225
<b>B12-FH-POS2</b>	987	1211	N/A
<b>B15-FH-POS2</b>	1028	1257	N/A
<b>B18-FH-POS2</b>	1101	1335	N/A
<b>B21-FH-POS2</b>	1195	1448	N/A

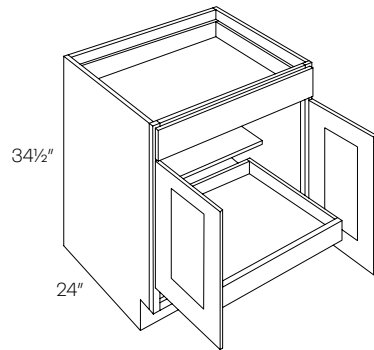
• 10" Deep Shelf

\*Luxor full height doors will have a larger reveal on the bottom and will not align with other base cabinets

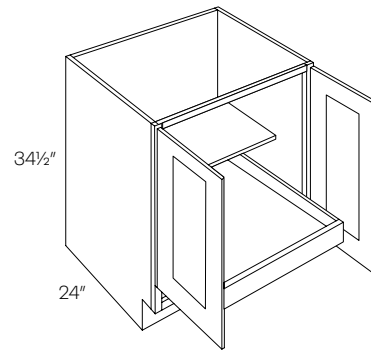
**1 Drawer 2 Door Base Cabinet**



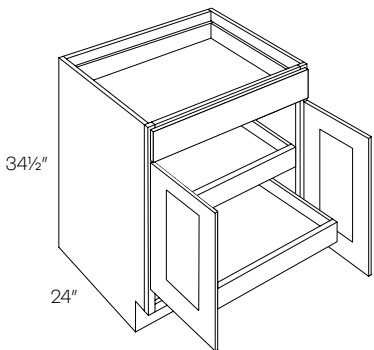
**Full Height**



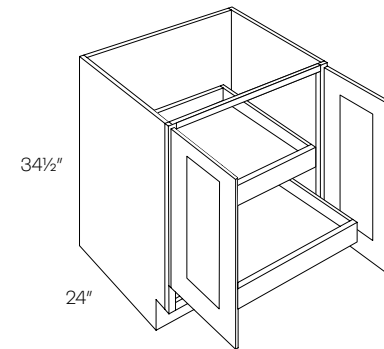
**1 POS**



**Full Height W/ 1 POS**



**2 POS**



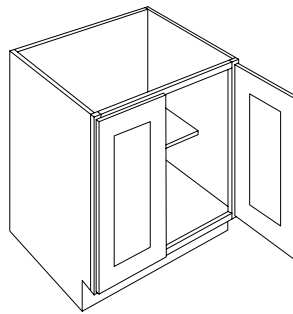
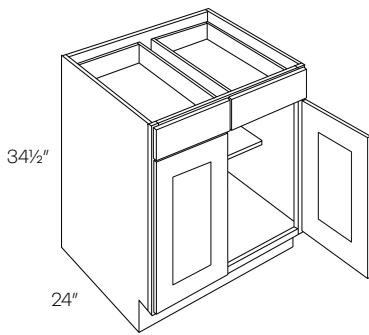
**Full Height W/ 2 POS**

Item Number	L	T	Z
<b>B24</b>	719	791	737
<b>B27</b>	795	875	815
<b>B24-FH</b>	719	791	N/A
<b>B27-FH</b>	795	875	N/A
<b>B24-POS1</b>	1059	1196	1085
<b>B27-POS1</b>	1136	1293	1164
<b>B24-FH-POS1</b>	1059	1196	N/A
<b>B27-FH-POS1</b>	1136	1293	N/A
<b>B24-POS2</b>	1362	1601	1396
<b>B27-POS2</b>	1453	1711	1489
<b>B24-FH-POS2</b>	1362	1601	N/A
<b>B27-FH-POS2</b>	1453	1711	N/A

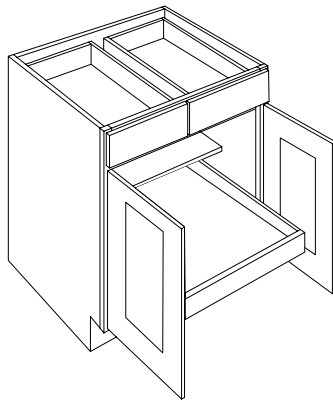
• 10" Deep Shelf

\*Luxor full height doors will have a larger reveal on the bottom and will not align with other base cabinets

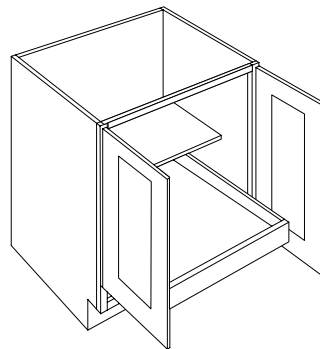
**2 Drawer 2 Door Base Cabinet**



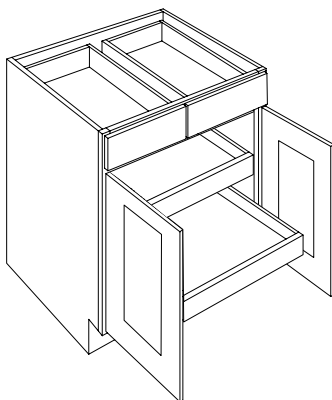
**Full Height**



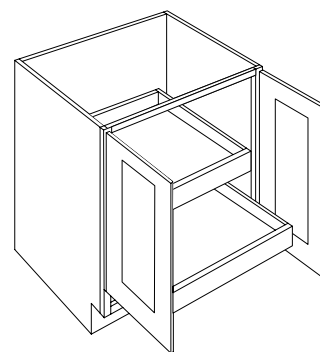
**1 POS**



**Full Height W/1 POS**



**2 POS**

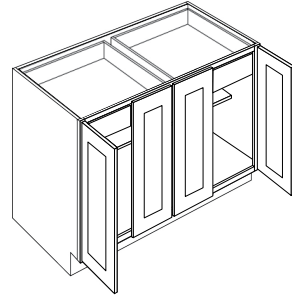
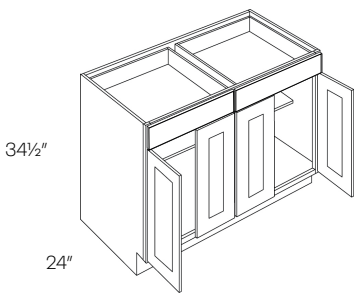


**Full Height W/2 POS**

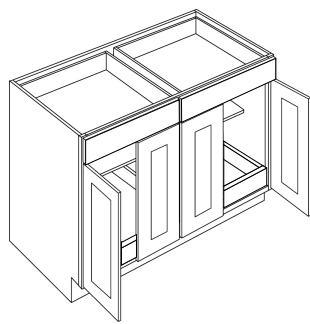
Item Number	L	T	Z
<b>B30</b>	866	953	888
<b>B33</b>	924	1017	948
<b>B36</b>	969	1066	994
<b>B39</b>	1031	1135	1057
<b>B42</b>	1086	1195	1114
<b>B30-FH</b>	866	953	N/A
<b>B33-FH</b>	924	1017	N/A
<b>B36-FH</b>	969	1066	N/A
<b>B39-FH</b>	1031	1135	1057
<b>B42-FH</b>	1086	1195	N/A
<b>B30-POS1</b>	1216	1384	1246
<b>B33-POS1</b>	1238	1463	1315
<b>B36-POS1</b>	1310	1537	1343
<b>B42-POS1</b>	1622	1684	1663
<b>B30-FH-POS1</b>	1216	1384	N/A
<b>B33-FH-POS1</b>	1238	1463	N/A
<b>B36-FH-POS1</b>	1310	1537	N/A
<b>B42-FH-POS1</b>	1622	1684	N/A
<b>B30-POS2</b>	1548	1815	1587
<b>B33-POS2</b>	1629	1909	1670
<b>B36-POS2</b>	1757	2008	1801
<b>B42-POS2</b>	2279	2173	2336
<b>B30-FH-POS2</b>	1548	1815	N/A
<b>B33-FH-POS2</b>	1629	1909	N/A
<b>B36-FH-POS2</b>	1757	2008	N/A
<b>B42-FH-POS2</b>	2279	2173	N/A

• 10" Deep Shelf

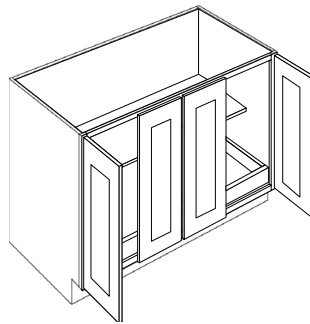
\*Luxor full height doors will have a larger reveal on the bottom and will not align with other base cabinets



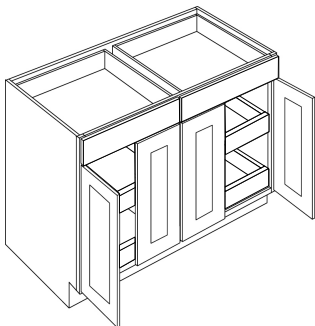
Full Height



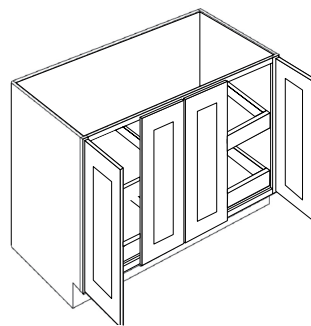
2 POS



Full Height W/2 POS



4 POS

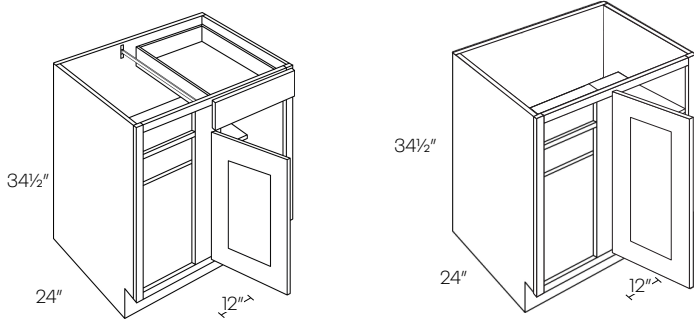


Full Height W/4 POS

Item Number	L	T	Z
<b>B48</b>	1204	1325	1235
<b>B48-FH</b>	1204	1325	N/A
<b>B48-POS2</b>	1785	2545	1830
<b>B48-FH-POS2</b>	1785	2545	N/A
<b>B48-POS4</b>	2501	3765	2564
<b>B48-FH-POS4</b>	2501	3765	N/A

- 10" Deep Shelf
- \*Luxor full height doors will have a larger reveal on the bottom and will not align with other base cabinets

**Blind Base Cabinet**



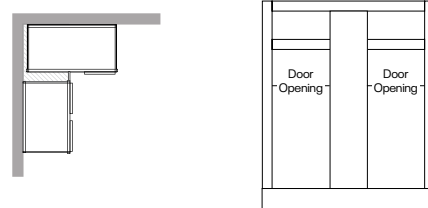
**Full Height**

Item Number	L	T	Z
<b>BLB36/39</b>	916	1008	939
<b>BLB39/42</b>	945	1040	969
<b>BLB42/45</b>	1011	1113	1037
<b>BLB45/48</b>	1082	1191	1110
<b>BLB48/51</b>	1165	1282	1195
<b>BLB36/39-FH</b>	916	1008	N/A
<b>BLB39/42-FH</b>	945	1040	N/A
<b>BLB42/45-FH</b>	1011	1113	N/A
<b>BLB45/48-FH</b>	1082	1191	N/A
<b>BLB48/51-FH</b>	1165	1282	N/A

- Order Left or Right
- Reversible Left or Right
- Must be pulled to the minimum position

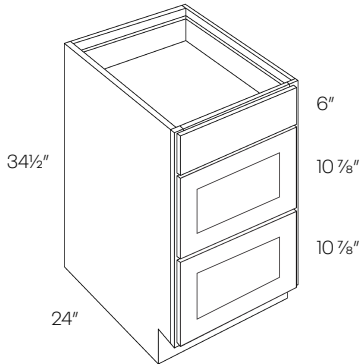
\* Left blind shown

\*Luxor full height doors will have a larger reveal on the bottom and will not align with other base cabinets



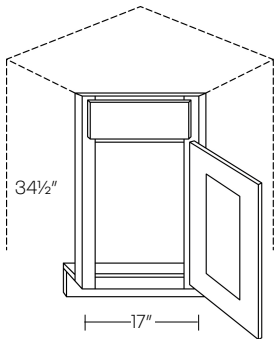
Cabinet	Min. Pull	Max. Pull	Actual Size	Door	Door Opening
BLB36/39	36"	39"	27"	B9	6"
BLB39/42	39"	42"	33"	B12	9"
BLB42/45	42"	45"	39"	B15	12"
BLB45/48	45"	48"	45"	B18	15"
BLB48/51	48"	51"	48"	B39	18"

**3 Drawer Base Cabinet**



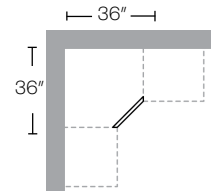
Item Number	L	T	Z
<b>DB12</b>	794	874	814
<b>DB15</b>	831	915	852
<b>DB18</b>	857	943	879
<b>DB21</b>	889	978	912
<b>DB24</b>	920	1013	943
<b>DB27</b>	944	1039	968
<b>DB30</b>	1005	1106	1031
<b>DB36</b>	1086	1195	1114

**Diagonal Corner Sink Front**

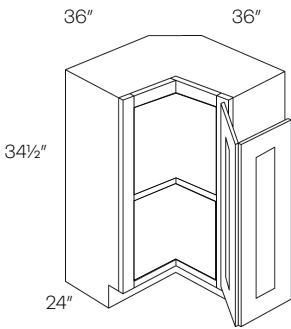


<b>CSF36R*</b>	368	368	368
<b>CSF36L*</b>	368	368	368
<b>CSFFL36 (Floor)</b>	173	173	173

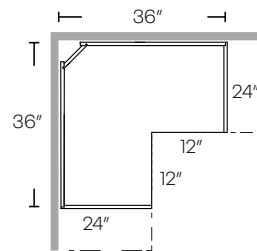
\*Requires 36" x 36" wall space.  
 \*Requires Floor (sold separately)



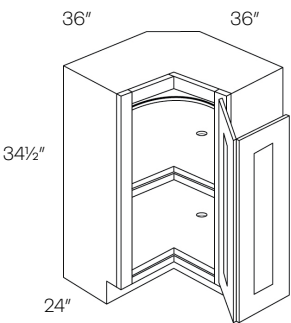
**Easy Reach Corner Base Cabinet**



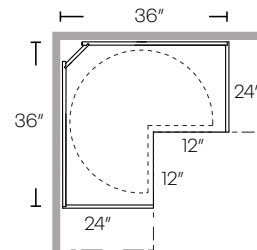
Item Number	L	T	Z
<b>ER36R</b>	1389	1528	N/A
<b>ER36L</b>	1389	1528	N/A



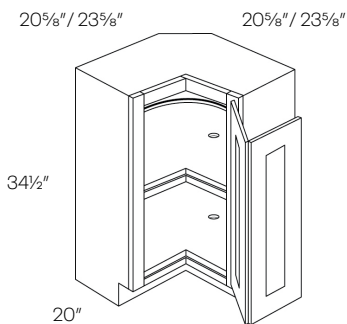
**Lazy Susan**



<b>LS36R</b>	1488	1637	N/A
<b>LS36L</b>	1488	1637	N/A

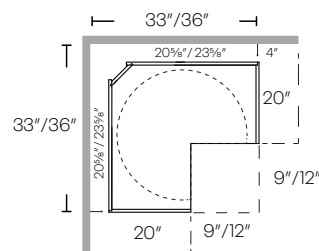


**Carousel Corner Base Cabinet**



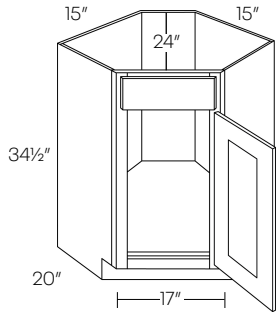
<b>CAR33R</b>	1488	1637	N/A
<b>CAR33L</b>	1488	1637	N/A
<b>CAR36R</b>	1488	N/A	N/A
<b>CAR36L</b>	1488	N/A	N/A

- Requires 33" x 33" / 36" x 36" wall space
- Pie cut for 33" is 9" and for 36" is 12"
- Wooden Lazy Susan



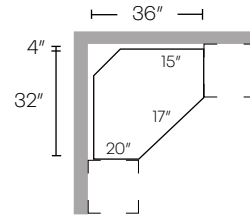
Item Number	L	T	Z
-------------	---	---	---

**Diagonal Corner Sink Base Cabinet**

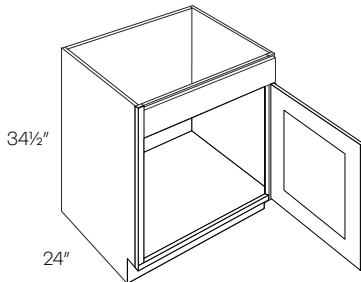


<b>CSB36R</b>	1389	1528	1424
<b>CSB36L</b>	1389	1528	1424

• Requires 36" x 36" wall space

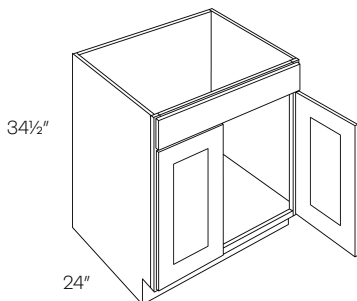


**1 Drawer Front 1 Door Sink Base**



<b>SB21DL</b>	643	708	660
<b>SB21DR</b>	643	708	660

**1 Drawer Front 2 Door Sink Base**



<b>SB24</b>	678	746	695
<b>SB27</b>	728	801	747

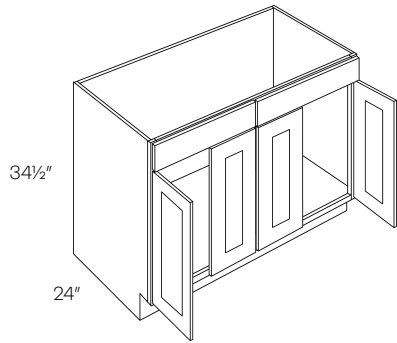
Item Number

L

T

Z

**2 Drawer 4 Door Sink Base Cabinet**



**SB48**

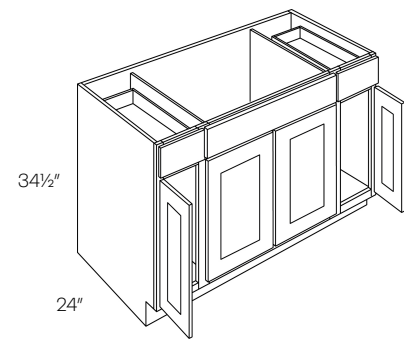
986

1085

1011

•Removable shipping brace

**Combination Sink Base Cabinet**



**SB54**

1100

N/A

1128

**SB60**

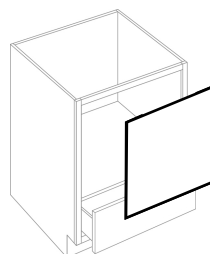
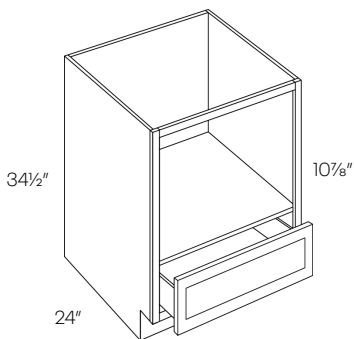
1197

N/A

1227

	Door	Sink	Door
SB54	12"	30"	12"
SB60	15"	30"	15"

**Microwave Base Cabinet**



Trim Kit (TRM)

**MCB24**

675

743

N/A

**MCB24-TRM**

282

282

N/A

**MCB27**

726

799

N/A

**MCB27-TRM**

310

310

N/A

**MCB30**

771

849

N/A

**MCB30-TRM**

338

338

N/A

• MC front opening:

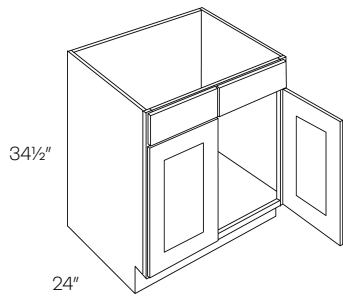
MCB24 - 21"x16"

MCB27 - 24"x16"

MCB30 - 27"x16"

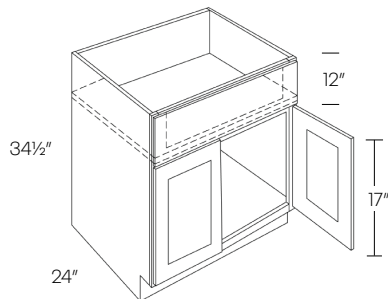
\*Does not have finished interior

**2 Drawer Front 2 Door Sink Base**



Item Number	L	T	Z
<b>SB30</b>	771	849	791
<b>SB33</b>	817	899	838
<b>SB36</b>	837	921	858
<b>SB39</b>	858	944	880
<b>SB42</b>	877	965	899

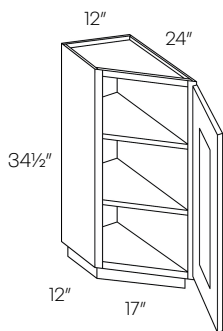
**Double Door Farm Sink Base Cabinet**



<b>SB36 - FS</b>	851	936	N/A
------------------	-----	-----	-----

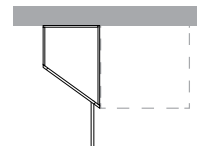
- Max trimmable 33" X 10"
- Trimming to be done in field
- Has a fixed platform

**Angle Base End Cabinet**



<b>BTC2412</b>	509	560	N/A
----------------	-----	-----	-----

- Reversible
- Loose toe kick
- Hinged on 24"



Item Number

L

T

Z

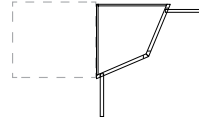
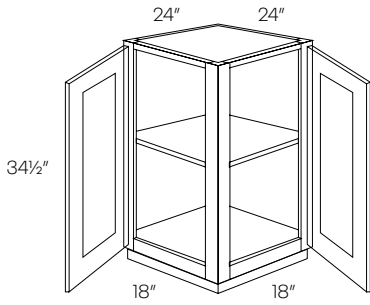
Base End Cabinet

BEC24

634

698

N/A



Waste Basket Cabinet

BWBK15 (1-B)

1030

1133

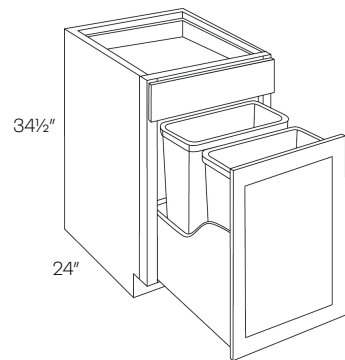
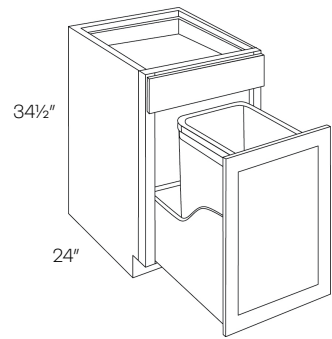
1056

BWBK18 (2-B)

1140

1254

1169



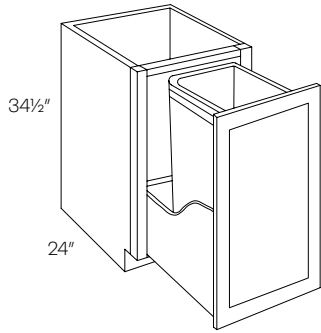
- Includes 35qt. waste basket (BK18 gets 2) and soft-close glides
- Cabinet can be reduced to 21"

Item Number	L	T	Z
-------------	---	---	---

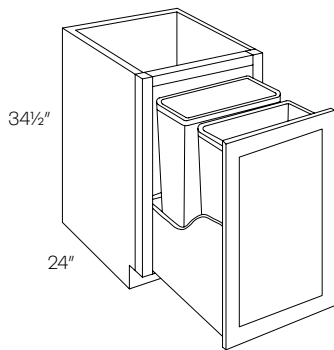
**Full Height Waste Basket Cabinet**

<b>BWBK15-FH (1-B)</b>	1030	1133	N/A
<b>BWBK18-FH (2-B)</b>	1140	1254	N/A

- Includes 35qt. waste basket (BK18 gets 2) and soft-close glides
- Cabinet can be reduced to 21"



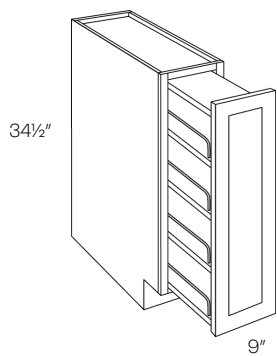
**BWBK15**



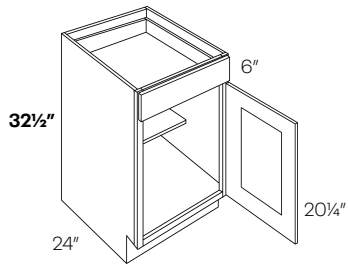
**BWBK18**

**Base Spice Cabinet**

<b>BSP9</b>	816	898	N/A
-------------	-----	-----	-----



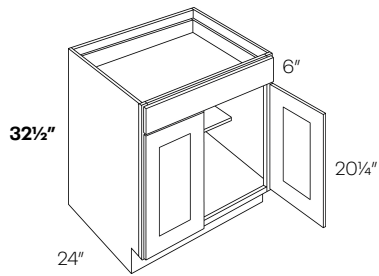
**1 Door Base Cabinet**



Item Number	L	T	Z
<b>B9-HA</b>	446	N/A	458
<b>B12-HA</b>	513	N/A	526
<b>B15-HA</b>	537	N/A	551
<b>B18-HA</b>	564	N/A	579
<b>B21-HA</b>	643	N/A	660

•10" Deep Shelf  
 \* Please note: Handicap Accessible cabinets may not meet ADA requirements

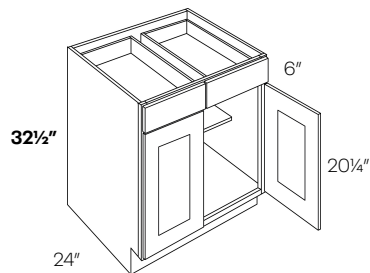
**1 Drawer 2 Door Base Cabinet**



<b>B24-HA</b>	719	N/A	737
<b>B27-HA</b>	795	N/A	815

•10" Deep Shelf  
 \* Please note: Handicap Accessible cabinets may not meet ADA requirements

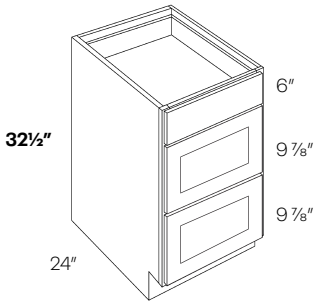
**2 Drawer 2 Door Base Cabinet**



<b>B30-HA</b>	866	N/A	888
<b>B33-HA</b>	924	N/A	948
<b>B36-HA</b>	969	N/A	994
<b>B39-HA</b>	1031	N/A	1057

•10" Deep Shelf  
 \* Please note: Handicap Accessible cabinets may not meet ADA requirements

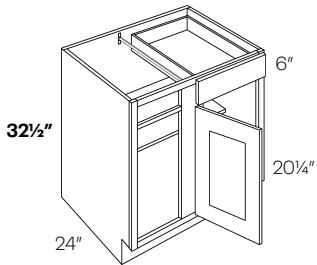
**3 Drawer Base Cabinet**



Item Number	L	T	Z
<b>DB12-HA</b>	794	N/A	814
<b>DB15-HA</b>	831	N/A	852
<b>DB18-HA</b>	857	N/A	879

\* Please note: Handicap Accessible cabinets may not meet ADA requirements

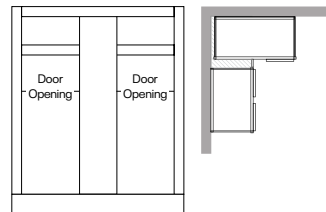
**Blind Base Cabinet**



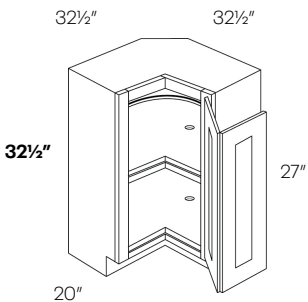
<b>BLB36/39-HA</b>	N/A	N/A	N/A
--------------------	-----	-----	-----

- Left blind shown
  - Reversible Left or Right
  - Must be pulled to the minimum position
- \* Please note: Handicap Accessible cabinets may not meet ADA requirements

	Min Pull	Max Pull	Actual	Door	Door Opening
BLB36/39	36"	39"	27"	B9	6"

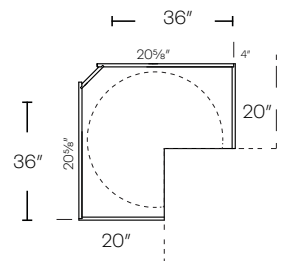


**Carousel Corner Base Cabinet**

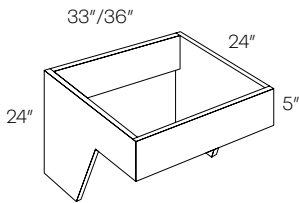


<b>CAR36L-HA</b>	1488	N/A	N/A
<b>CAR36R-HA</b>	1488	N/A	N/A

- Requires 36" x 36" wall space
- \* Please note: Handicap Accessible cabinets may not meet ADA requirements

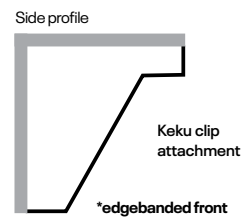


**Removable Sink Insert**

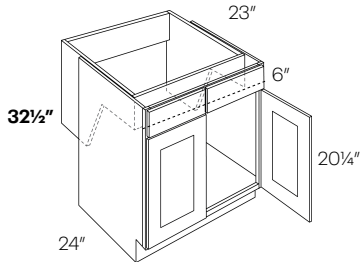


Item Number	L	T	Z
<b>SB30-HR-INS</b>	1391	N/A	N/A
<b>SB33-HR-INS</b>	1545	N/A	N/A
<b>SB36-HR-INS</b>	1699	N/A	N/A

\*HR=Handicap Removable  
 \* Please note: Handicap Removable cabinets may not meet ADA requirements  
 \*\*Sink insert comes finished



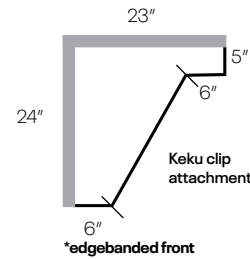
**2 Door Removable Sink Base Cabinet**



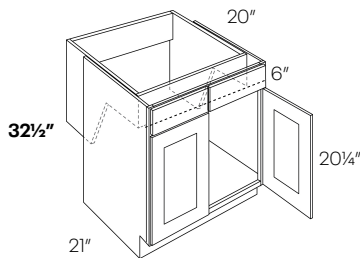
**Inserts True Size:**  
 30" - 28.5" wide  
 33" - 31.5" wide  
 36" - 34.5" wide

<b>SB30-HR</b>	1080	N/A	1107
<b>SB33-HR</b>	1144	N/A	1173
<b>SB36-HR</b>	1172	N/A	1202

\*HR=Handicap Removable  
 \* Please note: Handicap Accessible cabinets may not meet ADA requirements

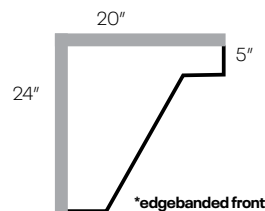


**Removable Vanity Base**



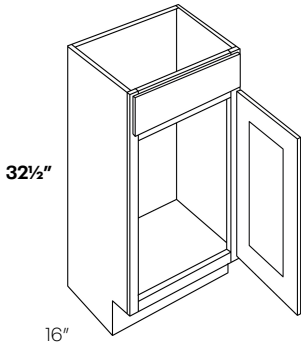
<b>V30-HR</b>	839	N/A	860
<b>V33-HR</b>	1298	N/A	1331
<b>V36-HR</b>	1014	N/A	1039

\*HR=Handicap Removable  
 \* Please note: Handicap Accessible cabinets may not meet ADA requirements



Item Number	L	T	Z
-------------	---	---	---

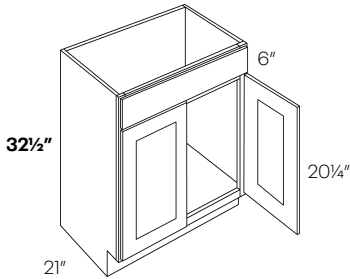
**1 Door Vanity Sink Base Cabinet**



<b>V1816-HA</b>	346	N/A	355
-----------------	-----	-----	-----

- Available in White only
- HA=Handicap Accessible
- \* Please note: Handicap Accessible cabinets may not meet ADA requirements

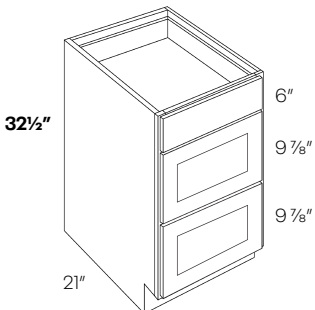
**2 Door Vanity Sink Base Cabinet**



<b>V21-HA*</b>	377	N/A	396
<b>V2418-HA</b>	444	N/A	456
<b>V24-HA</b>	400	N/A	410
<b>V30-HA</b>	599	N/A	614
<b>V36-HA</b>	724	N/A	743

- V21- HA & V2418-HA available in White only
- HA=Handicap Accessible
- \* Please note: Handicap Accessible cabinets may not meet ADA requirements

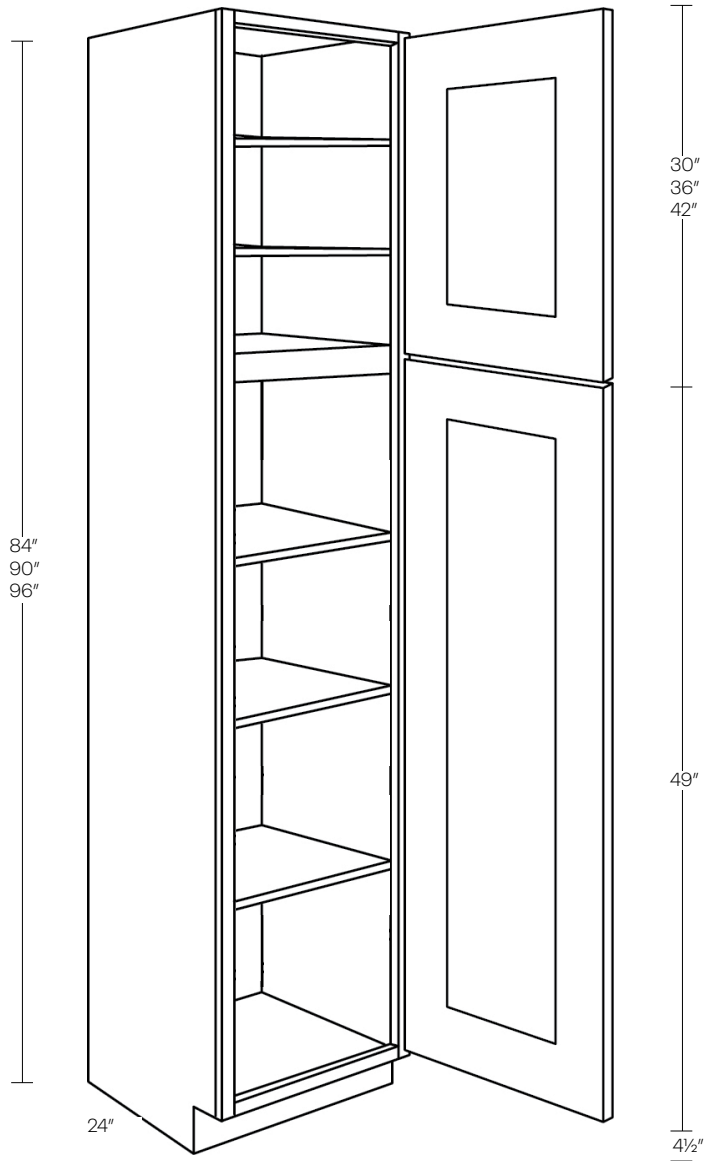
**Vanity Drawer Base Cabinet - Handicap Accessible**



<b>VDB12-HA</b>	787	N/A	807
<b>VDB15-HA</b>	834	N/A	855
<b>VDB18-HA</b>	854	N/A	876

- \*HA=Handicap Accessible
- \* Please note: Handicap Accessible cabinets may not meet ADA requirements

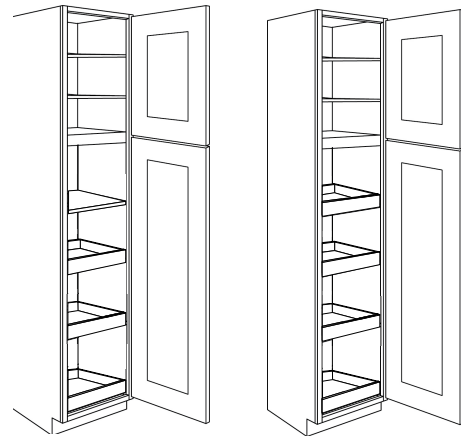
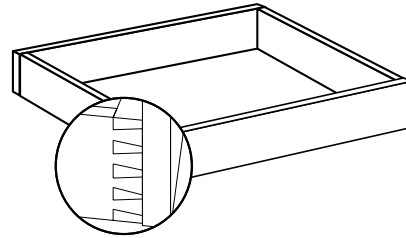
Single Door Utility Cabinet



Item Number	L	T
UC1821X84	1712	1884
UC1824X90	1951	2147
UC1824X96*	2227	2450
POS18-3 (factory installed)	954	954
POS18-4 (factory installed)	1198	1198

- Adjustable shelves
- 84" and 90" have 2 upper shelves
- 96" has 3 upper shelves
- Fixed shelf between doors

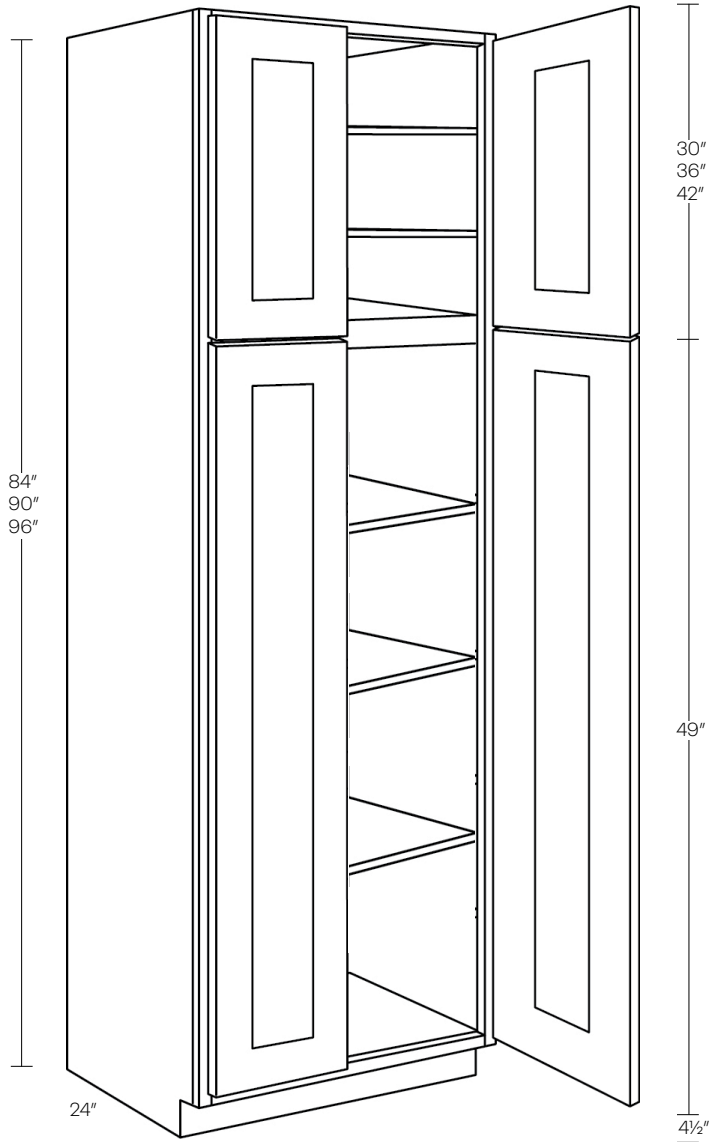
Pull Out Shelf



POS-3

POS-4

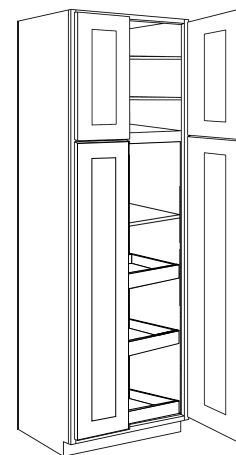
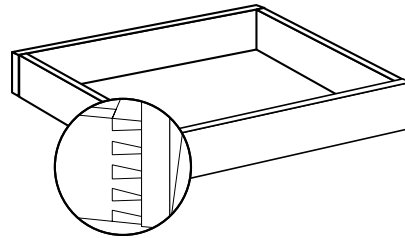
Double Door Utility Cabinet



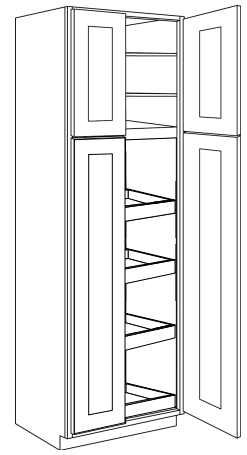
Item Number	L	T
UC2424X84	1971	2169
UC2424X90	2250	2475
UC2424X96*	2489	2738
UC3024X84	2070	2277
UC3024X90	2363	2600
UC3024X96*	2614	2876
POS24-3 (factory installed)	1088	1088
POS24-4 (factory installed)	1377	1377
POS30-3 (factory installed)	1100	1100
POS30-4 (factory installed)	1389	1389

- Adjustable shelves
- 84" and 90" have 2 upper shelves
- 96" has 3 upper shelves
- Fixed shelf between doors

Pull Out Shelf



POS-3



POS-4

Item Number

L

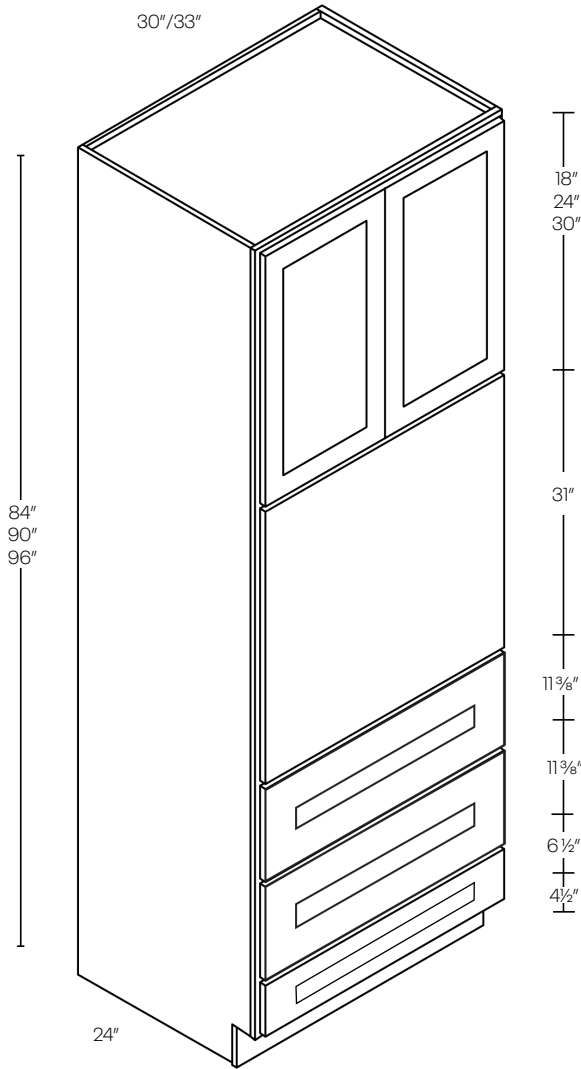
T

Z

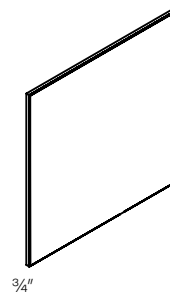
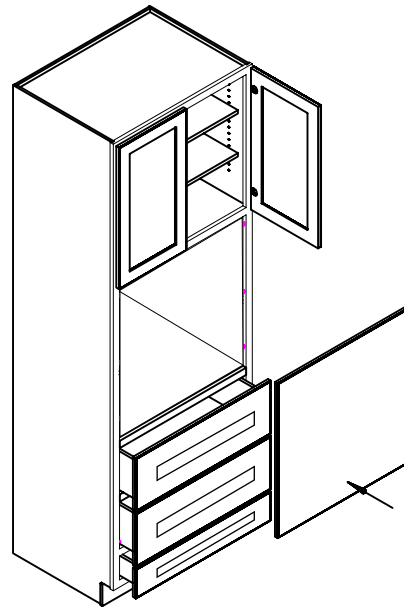
Double Door Oven Cabinet

OV3084	1861	2048	N/A
OV3090	2142	2357	N/A
OV3096*	2423	2666	N/A
OV3384	1902	2093	N/A
OV3390	2185	2404	N/A
OV3396	2463	2710	N/A

- For double ovens, remove drawer floor as needed
- Trim kit included
- Trim kit is 3/4" thick and includes solid edgeband
- 84" and 90" has 1 upper shelf
- 96" has 2 upper shelves

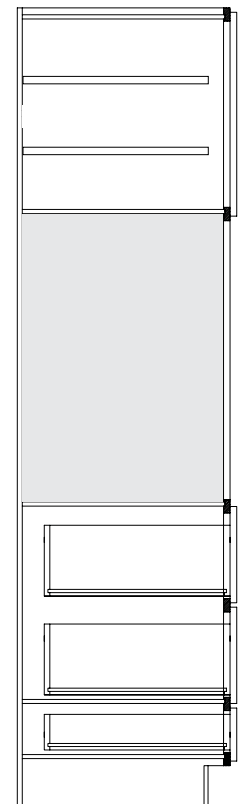


Assembly



**Side - Field Modified**  
\*for double oven, remove fixed shelf and bottom two 12" drawers in field

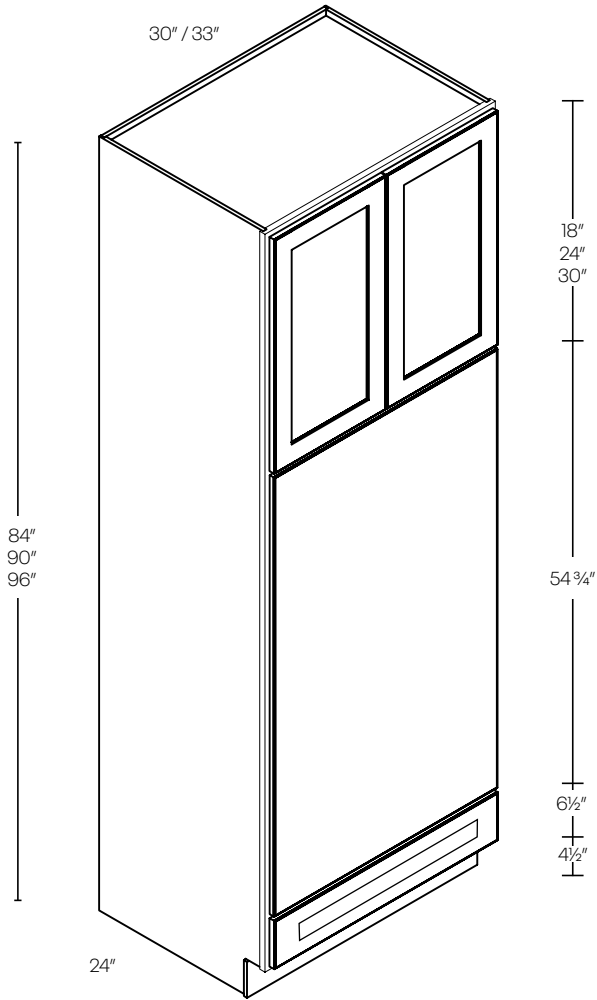
Side



Item Number	L	T	Z
-------------	---	---	---

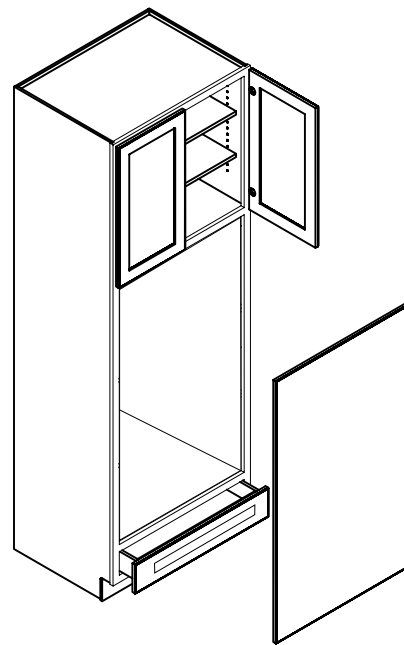
Double Oven Cabinet

OVD3084	1794	1974	N/A
OVD3090	2072	2280	N/A
OVD3096*	2353	2589	N/A
OVD3384	1902	2093	N/A
OVD3390	2185	2404	N/A
OVD3396*	2473	2721	N/A

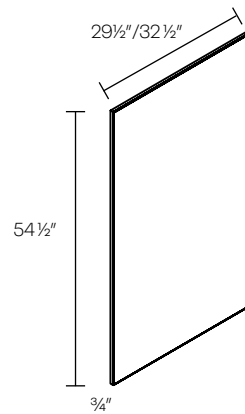
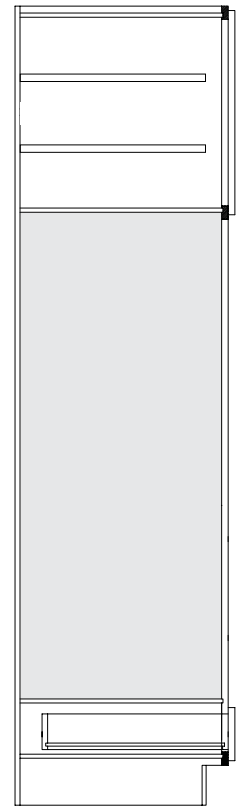


- Trim kit included
- Trim kit is 3/4" thick and includes solid edgeband
- 84" and 90" has 1 upper shelf
- 96" has 2 upper shelves

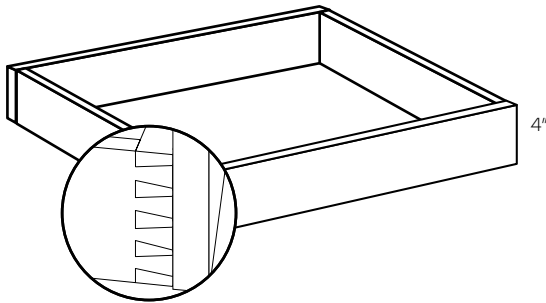
Assembly



Side



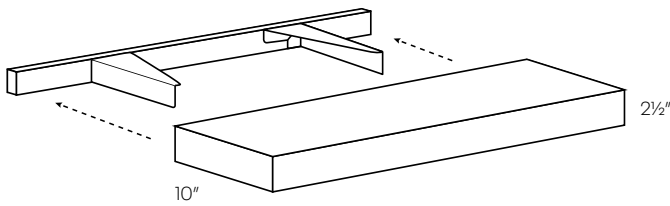
**Pull Out Shelf**



Item Number	L	T
POS12	223	223
POS15	233	233
POS18	257	257
POS21	270	270
POS24	305	305
POS27	318	318
POS30	331	331
POS33	346	346
POS36	371	371
POS42	389	389

- Natural finish
- Ball bearing soft-close glides included
- POS uses dovetail construction

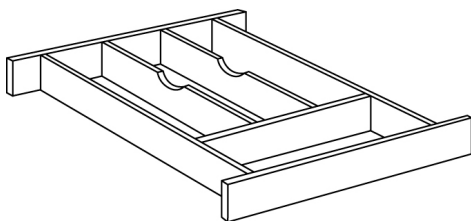
**Floating Shelves**



F-SHELF-24	544	544
F-SHELF-30	648	648
F-SHELF-36	752	752
F-SHELF-42	855	855

- Mounting hardware included

**Wooden Cutlery Divider**

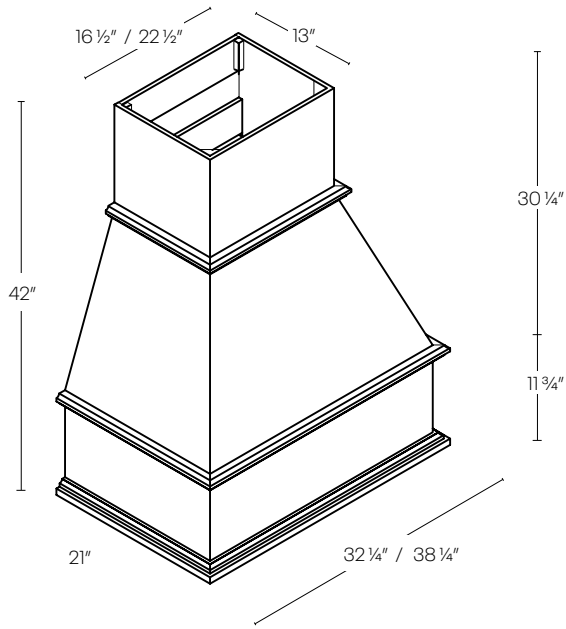


WCD-14	202	202
WCD-16	215	215
WCD-25	223	223
WCD-7	242	242

- To be trimmed on site
- \* Need to buy 2 pieces

WCD-14	B33*, B39*, BLB48/51
WCD-16	B15, B18, B21, B36*
WCD-25	B24, B27, DB30
WCD-7	B12, BLB39/42

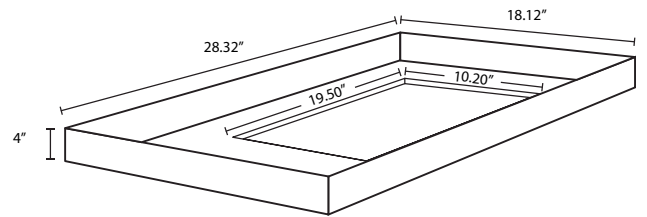
**Traditional Wood Hood**



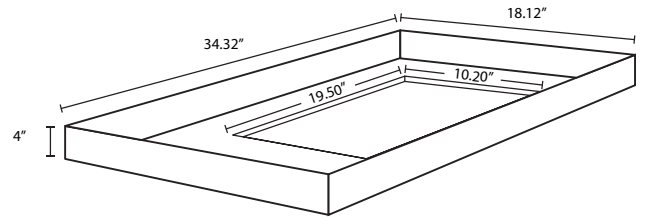
Item Number	L	T
<b>WHT30</b>	2813	3095
<b>WHT36</b>	3375	3713

•Metal Liners Included

**30" Hood Liner**



**36" Hood Liner**



Item Number

L

T

Z

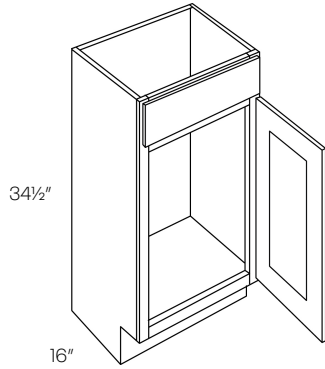
1 Door Vanity Sink Base Cabinet

V1816

346

N/A

355



1 Door Vanity Base Cabinet

VB12

492

542

505

VB15

516

568

529

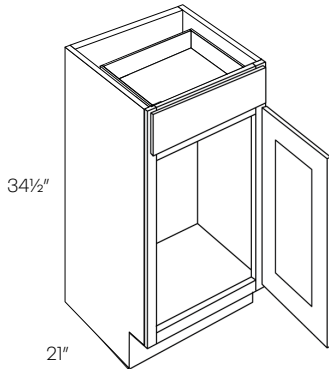
VB18

540

594

554

• Cabinet has a shelf



Vanity Drawer Base Cabinet

VDB12

787

866

807

VDB15

834

918

855

VDB18

854

940

876

VDB21

869

956

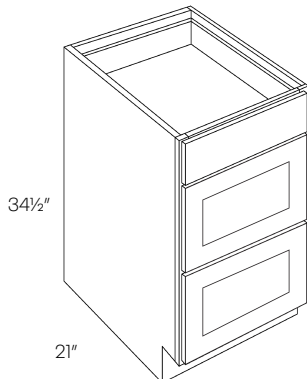
891

VDB24

896

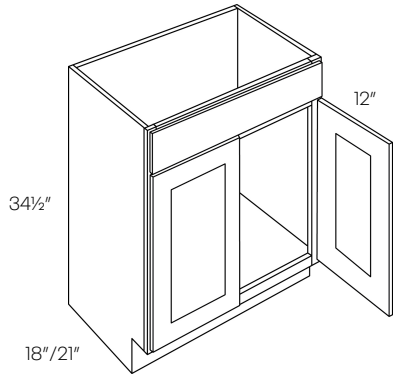
986

919



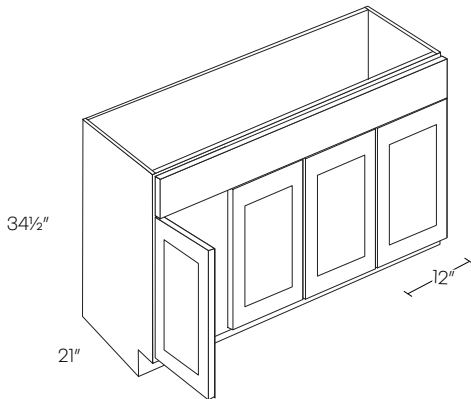
Item Number	L	T	Z
-------------	---	---	---

**2 Door Vanity Sink Base Cabinet**



V2418	444	N/A	456
V3018	564	N/A	579
V24	481	530	494
V27	531	N/A	545
V30	599	659	614
V33	927	N/A	951
V36	724	797	743
V42	840	925	861

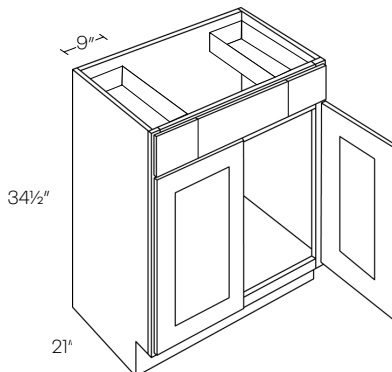
**4 Door Vanity Sink Base Cabinet**



V48	1007	N/A	1033
-----	------	-----	------

• Removable shipping brace

**2 Drawer Vanity Sink Base Cabinet**



VSB36	882	971	905
VSB42	945	1040	969

• Top side drawers are 9"

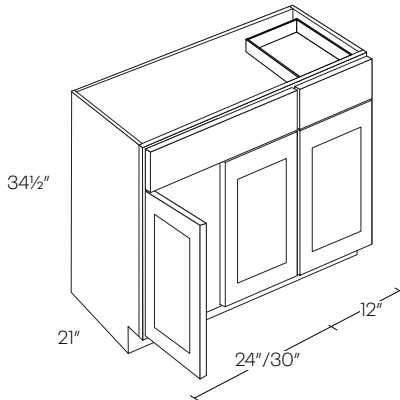
Item Number

L

T

Z

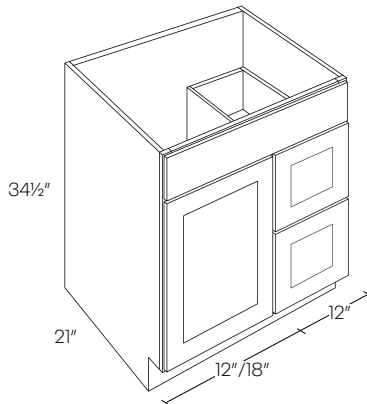
**3 Door Vanity Base Cabinet**



<b>VB36</b>	1066	N/A	1093
<b>VB42</b>	1078	N/A	1105

• Drawer on right side only

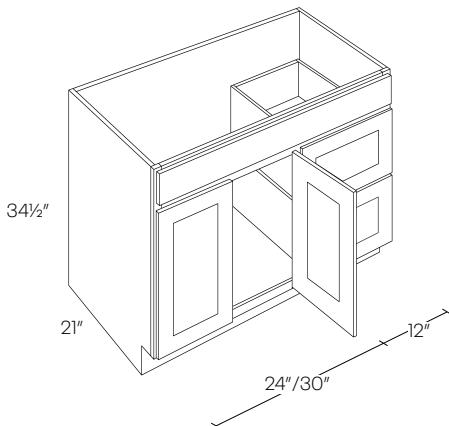
**1 Door 2 Drawer Vanity Sink Base Cabinet**



<b>V24DL</b>	720	N/A	738
<b>V24DR</b>	720	N/A	738
<b>V30DL</b>	995	1095	1058
<b>V30DR</b>	995	1095	1058

• DR shown in picture

**2 Door 2 Drawer Vanity Sink Base Cabinet**



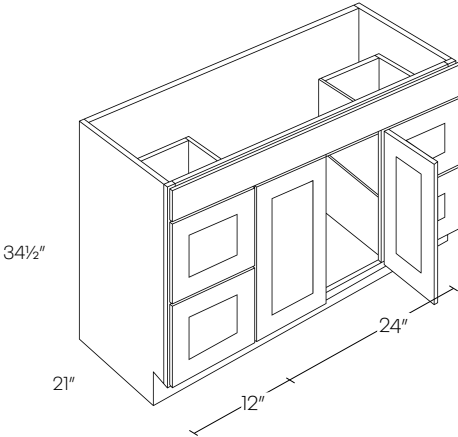
<b>V36DL</b>	1071	1179	1098
<b>V36DR</b>	1071	1179	1098
<b>V42DL</b>	1087	1196	1115
<b>V42DR</b>	1087	1196	1115

• DR shown in picture

Item Number	L	T	Z
-------------	---	---	---

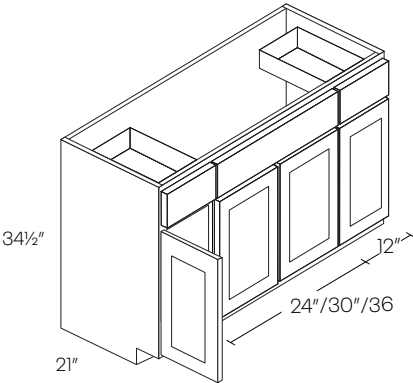
**2 Door 4 Drawer Vanity Sink Base Cabinet**

<b>V48DD</b>	1242	1367	1274
--------------	------	------	------



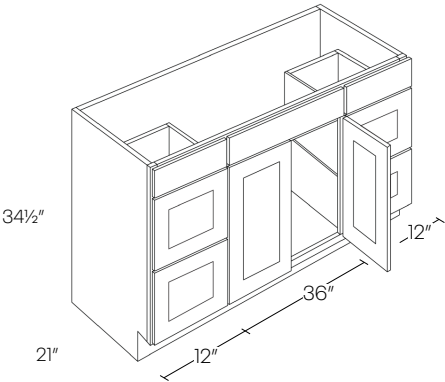
**4 Door Vanity Base Cabinet**

<b>VB48</b>	1229	N/A	1260
<b>VB54</b>	1294	N/A	1327
<b>VB60</b>	1354	N/A	1388



**Vanity Drawer Base Cabinet**

<b>V60DD</b>	1508	1659	1546
--------------	------	------	------



Item Number

L

T

Z

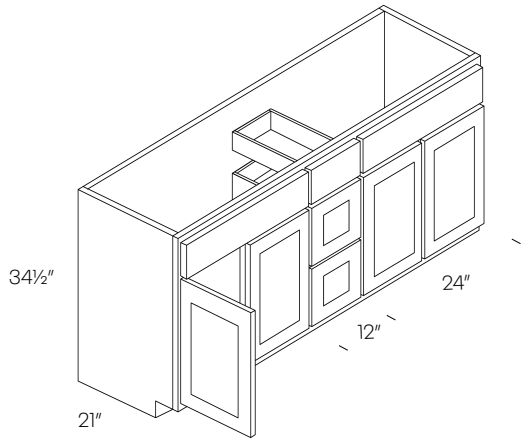
Vanity Drawer Base Cabinet

VSD60

1436

N/A

1472



Desk Drawer

DD30

359

395

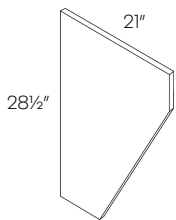
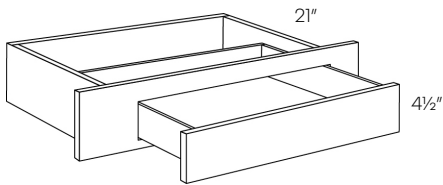
N/A

DS

229

229

N/A



- DS is 21"
- 2 1/2" trimmable sides
- Drawer front is 22 1/2" wide
- Slab drawer front

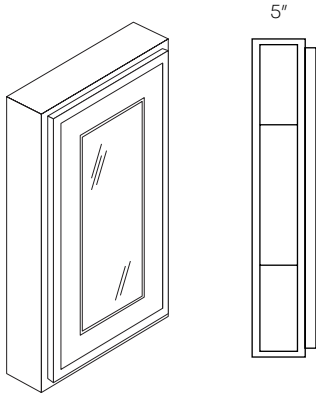
Item Number

L

T

Z

**Single Door Medicine Cabinet**



**MC1830**

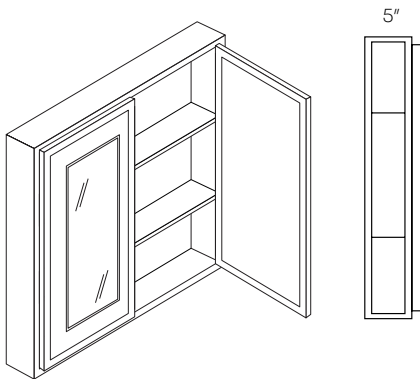
294

N/A

N/A

- Mirrored front
- Finished side

**Double Door Medicine Cabinet**



**MC2430**

527

N/A

N/A

**MC3030**

586

N/A

N/A

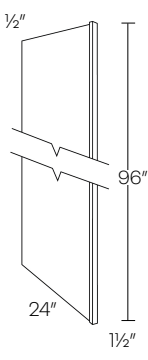
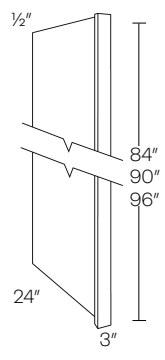
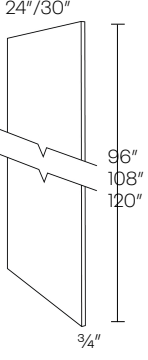
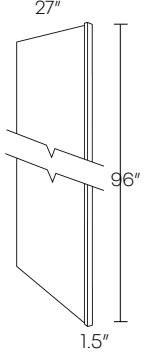
**MC3630**

661

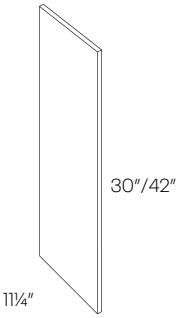
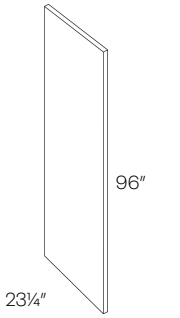
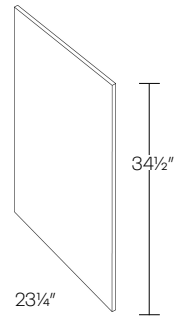
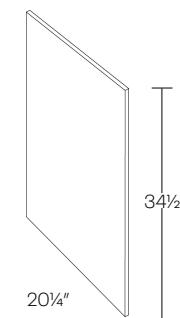
N/A

N/A

- Mirrored front
- Finished side

Refrigerator End Panel	Item Number	L	T
		REP196	583
	REP384	529	529
	REP390	556	556
	REP396	583	583
	UREP24	407	407
	UREP30	540	540
	UREP24-9	457	457
	UREP30-9	608	608
	UREP24-10	515	515
	UREP30-10	684	684
	UREP1.5x96x27	608	608

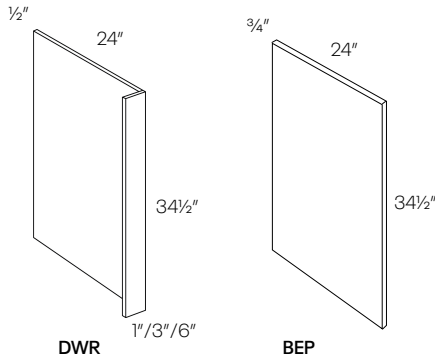
- UREP is finished on the front and back side
- UREP is not edgebanded on the short sides
- Front style not attached

Finished Skin	Item Number	L	T
	FS30	121	121
	FS42	168	168
	FS9624	319	319
	FSB	157	157
	FSV	157	157

• 1/4" Thick

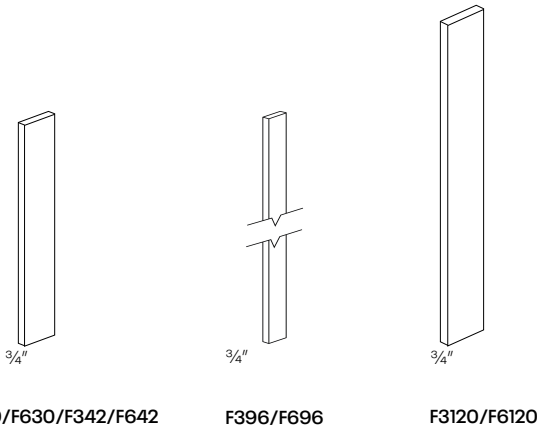
Plywood Panel	Item Number	L	T
	PLY4X8	462	462
	PLY4X8X.75	1294	N/A

	Item Number	L	T
	<b>Base End Panel</b>	<b>DWR1</b>	266
	<b>DWR3</b>	306	306
	<b>DWR6</b>	340	340
	<b>BEP</b>	268	268



• Finished on both sides

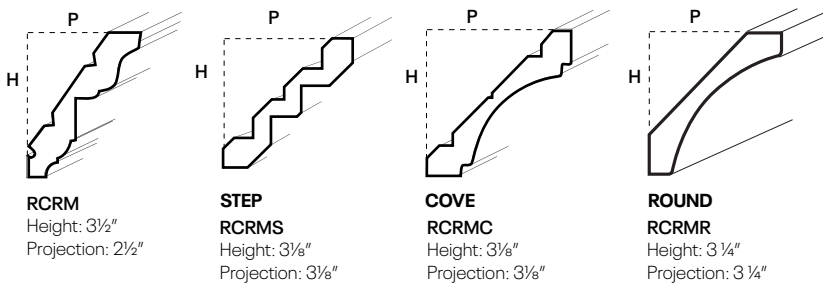
**Fillers**



<b>F3120</b>	237	237
<b>F6120</b>	366	366
<b>F330</b>	59	59
<b>F630</b>	101	101
<b>F342</b>	77	77
<b>F642</b>	135	135
<b>F396</b>	180	180
<b>F696</b>	299	299

• Fillers finished on all 4 sides

**Royal Crown Molding**

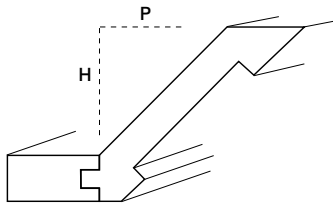


<b>RCRM</b>	447	447
<b>RCRMS</b>	447	447
<b>RCRMC</b>	447	447
<b>RCRMR</b>	447	447

• 8 feet long

Full Overlay Crown Moldings	Item Number	L	T
	<b>MFLOCR</b>	447	447

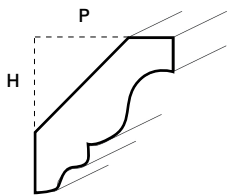
• 8 Feet long



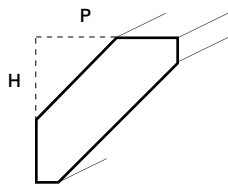
**MFLOCR**  
Height: 3½"  
Projection: 2½"

Crown Molding	CRM	141	159
	<b>CRMS</b>	159	159

• 8 feet long



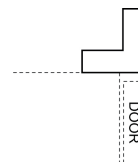
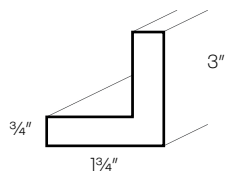
**CRM**  
Height: 2"  
Projection: 2"



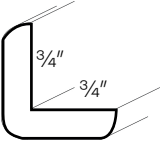
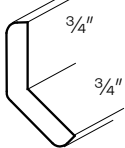
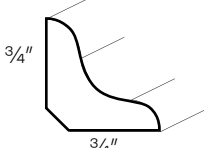
**CRMS**  
Height: 2"  
Projection: 2"

Contemporary Crown Molding	CCM	447	447

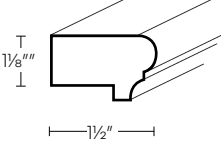
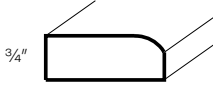
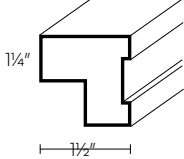
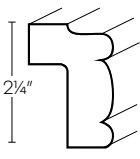
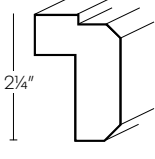
• 8 Feet long  
• Outer ends are finished



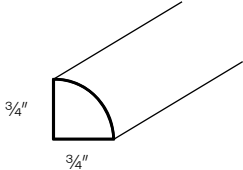
Suggested Use

Corner Molding	Item Number	L	T
		OCM	121
	OCM135	121	121
	ICM	121	121

• 8 feet long

Light Rail Molding	LTRM	310	310
		LTRM1	233
	LTRM2	310	310
	LTRM3	233	233
	LTRM	310	310
	LTRMS	233	233

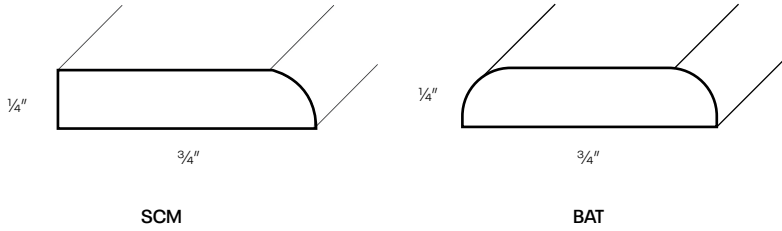
• 8 Feet long

Shoe Molding	SHM	134	134
	SHM	134	134

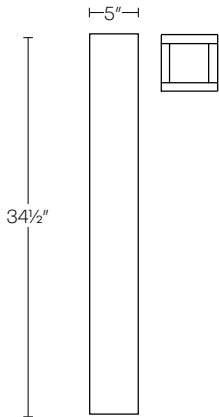
• 8 feet long

	Item Number	L	T
<b>Scribe / Batten Molding</b>	SCM	98	98
	BAT	98	98

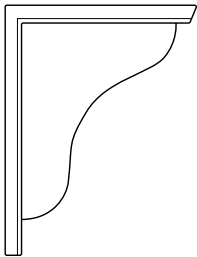
• 8 feet long



<b>Large Post</b>	POST5-C	998	998
-------------------	---------	-----	-----

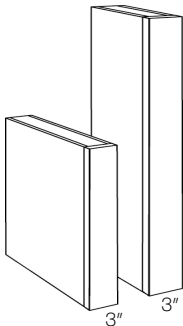


<b>Corbel</b>	CBS6	113	113
	CBS10	157	157



	W	D	H
CBS6	3"	3 1/2"	6 1/2"
CBS10	3"	7 1/2"	10 1/2"

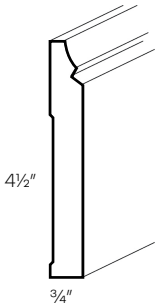
	Item Number	L	T
<b>Column</b>	<b>CLM-B30</b> (34½"H X 30"D)	461	508
	<b>CLM-30X15</b> (30"H X 15"D)	257	257
	<b>CLM-36X15</b> (36"H X 15"D)	287	287
	<b>CLM-42X15</b> (42"H X 15"D)	319	319



- Depth is Trimmable
- Finished 3 sides

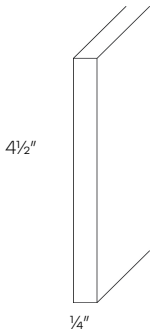
<b>Base Molding</b>	<b>BSMS</b>	319	319
---------------------	-------------	-----	-----

- 8 feet long



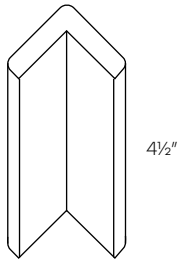
<b>Toe Kick</b>	<b>TKS</b>	101	101
-----------------	------------	-----	-----

- 8 feet long



	Item Number	L	T
<b>Toe Kick End Cap</b>	<b>TKS-CAP</b>	57	57

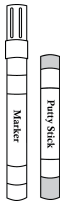
• Top and bottom sides are finished



**Touch Up Kit / Stain**

<b>TUP</b>	113	113
<b>TUP-PINT</b>	133	133
<b>CHW-LUX-CARE</b>	15	15

• TUP-PINT is one pint available in all finishes



TUP

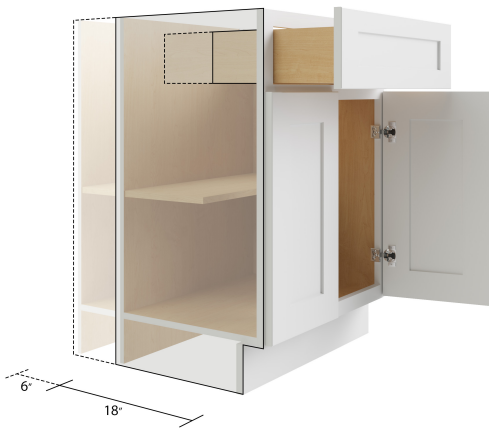


TUP-PINT

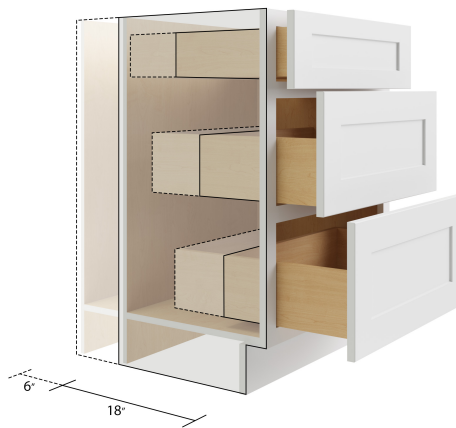
# Modifications & Upgrades



Wall Cabinet



Base Cabinet



Drawer Base Cabinet

\*Dovetail not in back



Tall Cabinet

Cut Down Depth	Description	List Price
CT-CUT-DEEP-B*	Base cabinet, cut down depth	400
CT-CUT-DEEP-DB*	Drawer base cabinet, cut down depth	500
CT-CUT-DEEP-T*	Tall cabinet, cut down depth	500
CT-CUT-DEEP-W**	Wall cabinet, cut down depth	400

\*Can be cut down to 9", 12", 15", 18" & 21" | \*\*Can be cut down to 6", 9" & 11"  
 \*All 9" Base Cabinets will have a dummy drawer front

Top View



Base Cabinet

Top View



Top View



Drawer Base Cabinet

Top View



Top View



Tall Cabinet

Top View

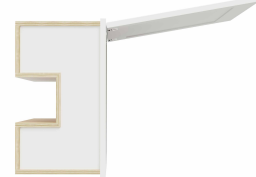


Top View



Wall Cabinet

Top View



\* Must provide accurate drawing with your order

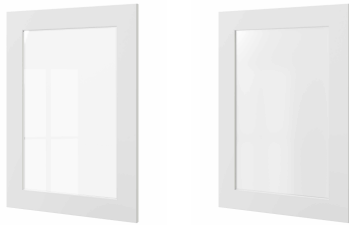
Chase Cuts	Description	List Price
CT-CHASE-B	Base cabinet, chase cut	700
CT-CHASE-DB	Drawer base cabinet, chase cut	900
CT-CHASE-T	Tall cabinet, chase cut	900
CT-CHASE-W	Wall cabinet, chase cut	600

•Non-stock cabinets, parts including doors and drawers, custom modifications, wood hoods and countertops (post form and self-edge) are not returnable.

•Must provide accurate drawings with your order

Item	Description	List Price
<b>CT-DCG</b>	Door cut for glass	205
<b>CT-DCG-GLI</b>	Door cut and insert glass	381
<b>CT-DCG-GLI-F</b>	Door cut and insert frosted glass	381

**Door cut for glass**

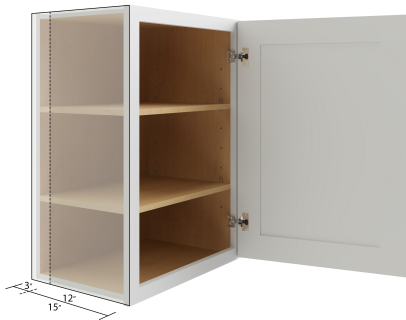


- Only Wall Cabinets can be cut for glass
- Loose glass not for sale
- \*Per door cost shown above

**Extend Wall Cabinet Depth**

<b>CT-EXD-W</b>	Extended wall cabinet depth	806
-----------------	-----------------------------	-----

- Can only be extended to 15", 18", 21" & 24"



**Remove Bottom from Cabinet**

<b>CT-FLOOR</b>	Remove bottom of cabinet	200
-----------------	--------------------------	-----



Item	Description	List Price
------	-------------	------------

**Finished Interior**

<b>CT-FINISH-B</b>	Finished Interior - Base Cabinet	450
<b>CT-FINISH-W</b>	Finished Interior - Wall Cabinet	450
<b>CT-FINISH-T</b>	Finished Interior - Tall Cabinet	800

• Drawers will not be finished



**Toe Kick Modifications**

<b>CT-TK-CUT</b>	Base cabinet, cut off toe kick	116
<b>CT-TK-CUT-SHP</b>	Base cabinet, cut off toe kick and ship	200
<b>CT-TK-FLUSH</b>	Flush Toe Kick	600
<b>CT-TK-REDUCE</b>	Recessed Toe Kick*	800



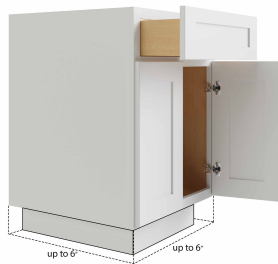
**CT-TK-CUT-SHP**



**CT-TK-FLUSH**



**CT-TK-CUT**



**CT-TK-REDUCE**

Item	Description	List Price
------	-------------	------------

**Reduced Depth of Top Drawer**

<b>CT-TD-REDUCE</b>	Reduce Depth of Top Drawer	120
---------------------	----------------------------	-----

- Can be cut down to 9", 12", 15", 18" & 21"



**Luxor Full Depth Shelf**

<b>CT-SHELF-FD-B9</b>	Full Depth Shelf	7
<b>CT-SHELF-FD-B12</b>	Full Depth Shelf	9
<b>CT-SHELF-FD-B15</b>	Full Depth Shelf	11
<b>CT-SHELF-FD-B18</b>	Full Depth Shelf	14
<b>CT-SHELF-FD-B21</b>	Full Depth Shelf	15
<b>CT-SHELF-FD-B24</b>	Full Depth Shelf	17
<b>CT-SHELF-FD-B27</b>	Full Depth Shelf	20
<b>CT-SHELF-FD-B30</b>	Full Depth Shelf	23
<b>CT-SHELF-FD-B33</b>	Full Depth Shelf	27
<b>CT-SHELF-FD-B36</b>	Full Depth Shelf	30
<b>CT-SHELF-FD-B39</b>	Full Depth Shelf	34
<b>CT-SHELF-FD-B42</b>	Full Depth Shelf	37
<b>CT-SHELF-FD-B48</b>	Full Depth Shelf	40



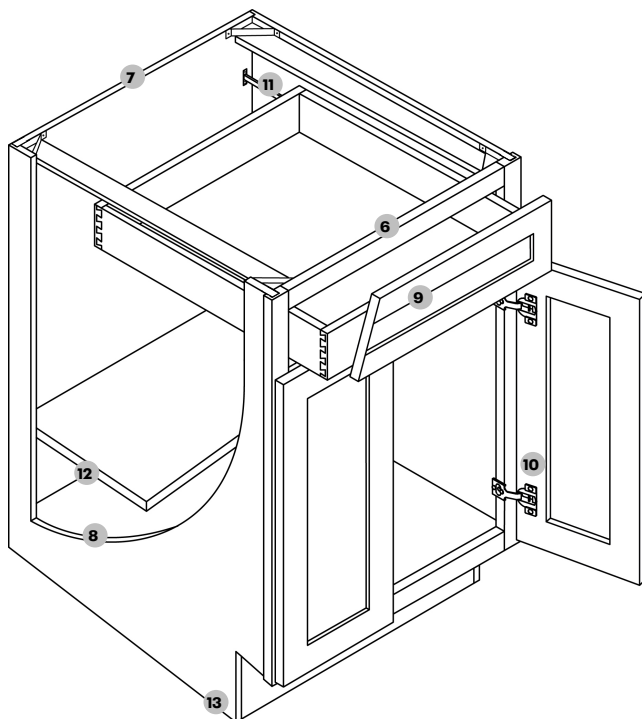
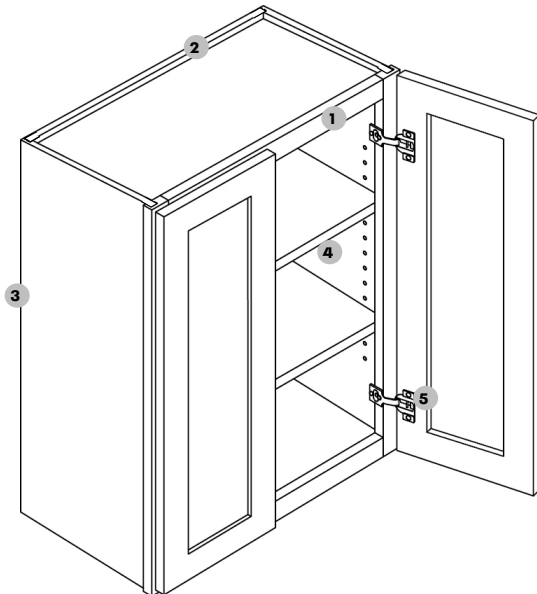
# Concord

BY CNC CABINETS

Cabinet & Door Information

# Concord

Full Overlay  
1/4" Reveal



**1 Frame** — 3/4" thick, 1 1/2" wide, kiln-dried solid hardwood. Frame and sides are installed with a DADO interlocking system, which insures easy assembly and inseparable strength

**2 Back panel** — Full 1/2" plywood back with 3" hanging rails, installed with DADO groove. Screwed to top and bottom. Exterior is finished.

**3 End panel**  
**Concord Collection**  
1/2" Plywood sides. Finished exterior with a natural wood-finish veneer interior.

**Concord Plus Program**  
1/4" Applied finished ends - Customer must order. End panel will be flush.

**4 Shelves** — 3/4" thick, plywood; fully adjustable with metal clips.

**5 Hinges**  
**Concord Collection**  
Six-way, soft close adjustable clip-on hinges

**Concord Plus Program**  
BLUM soft close adjustable clip-on hinges

\*36" and 42" Wall cabinets will have 3 hinges

**6 Base frame** — 3/4" thick, 1 1/2" wide, kiln-dried solid hardwood. Frame and sides are installed with a DADO groove, which insures easy assembly. Exterior is finished.

**7 Back panel** — Full 1/2" plywood back with 3" hanging rails, installed with DADO groove. Screwed to top and bottom.

**8 End panel**  
**Concord Collection**  
1/2" Plywood sides. Finished exterior with a natural wood-finish veneer interior.

**Concord Plus Program**  
1/4" Applied finished ends - Customer must order. End panel will be flush.

**9 Drawers** — 3/4" Solid wood, dovetail construction. With high quality stainless steel full extension under-mount glide. With soft-close safety feature.

**10 Hinges**  
**Concord Collection**  
Six-way, soft close adjustable clip-on hinges

**Concord Plus Program**  
BLUM soft close adjustable clip-on hinges

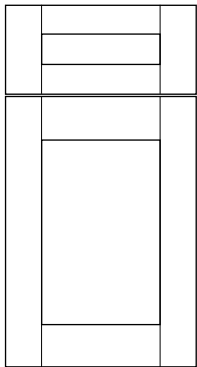
**11 Glides**  
**Concord Collection**  
High quality stainless steel full extension under-mount glide. With soft-close safety feature.

**Concord Plus Program**  
BLUM soft close adjustable ull extensionunder-mount glides

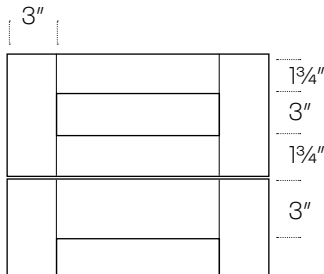
**12 Shelves** — 3/4" thick, plywood; fully adjustable with metal clips. (10" deep)

**13 Toe kick** — 4 1/2" Toe kick with 2 1/2" inset on all standard base and vanity cabinets.

## Elegant



A full overlay 5 piece solid wood, with solid MDF veneer flat center panel. Mortise and Tenon construction.

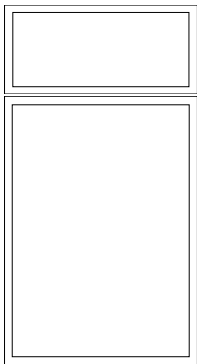


\*Must call out finished sides for all PLUS orders

Finish	Price Code
EB02 - Smoky Grey (stain)	A
EB10 - White (paint)	A
EB23 - Stone (hybrid stain)	B
EB27 - Ocean (paint)	A

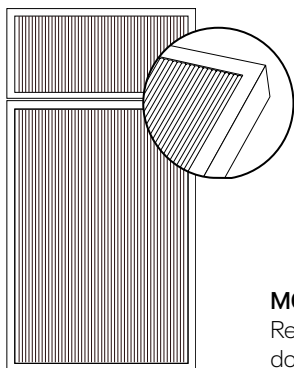
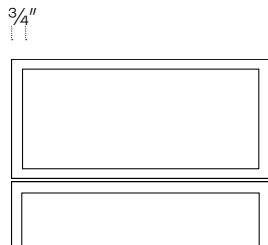
Elegant Plus - EBP	Price Code
101 - Sleek White	M
102 - Linen	M
103 - Sahara	M
104 - Mountain Stream	M
105 - Adirondack Blue	M
106 - Sage	M
107 - Evergreen	M
108 - Rumors	M
109 - Cracked Pepper	M

## Newport



A full overlay 5 piece solid wood, with solid MDF veneer flat center panel. The Newport door features a 3/4" frame.

\*Must call out finished sides for all PLUS orders



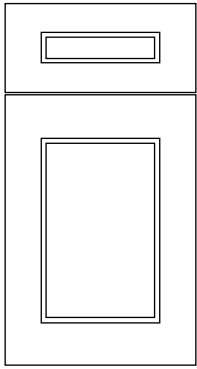
### MODIFICATION

Reeded insert available as an upgrade for doors and/or drawers.

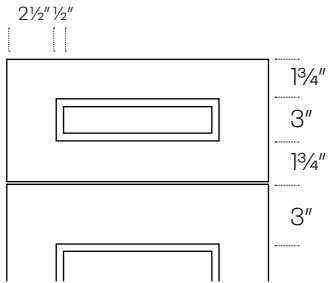
Finish	Price Code
NB10 - White	A

Newport Plus	Price Code
<b>Stain - NKP</b>	
200 - Ale	D
201 - Bourbon	D
202 - Wheat	D
<b>Paint - NBP</b>	
101 - Sleek White	M
102 - Linen	M
103 - Sahara	M
104 - Mountain Stream	M
105 - Adirondack Blue	M
106 - Sage	M
107 - Evergreen	M
108 - Rumors	M
109 - Cracked Pepper	M

### Fashion



A full overlay 5 piece solid wood, with solid MDF veneer flat center panel. Mortise and Tenon construction.

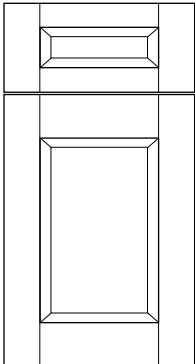


\*Must call out finished sides for all PLUS orders

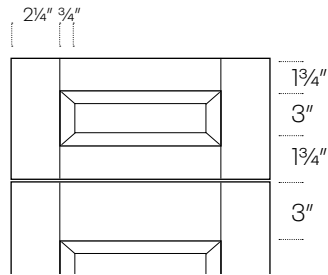
Finish	Price Code
FB10 - White (paint)	B
FB27 - Ocean (paint)	B

Fashion Plus - FBP	Price Code
101 - Sleek White	N
102 - Linen	N
103 - Sahara	N
104 - Mountain Stream	N
105 - Adirondack Blue	N
106 - Sage	N
107 - Evergreen	N
108 - Rumors	N
109 - Cracked Pepper	N
110 - Jet Black	N

### Sydney



A full overlay 5 piece solid wood, MDF veneer center panel. French mitered construction.

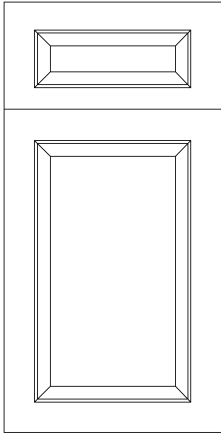


\*Must call out finished sides for all PLUS orders

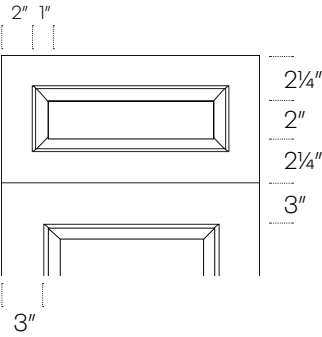
Finish	Price Code
SB10 - White	C

Sydney Plus	Price Code
<b>Stain - SKP</b>	
200 - Ale	P
201 - Bourbon	P
202 - Wheat	P
<b>Paint - SBP</b>	
101 - Sleek White	O
102 - Linen	O
103 - Sahara	O
104 - Mountain Stream	O
105 - Adirondack Blue	O
106 - Sage	O
107 - Evergreen	O
108 - Rumors	O
109 - Cracked Pepper	O
110 - Jet Black	O

## Richmond



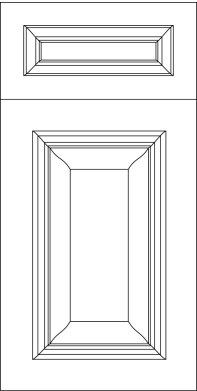
A full overlay 5 piece solid wood, raised panel MDF veneer center. Mitered construction.



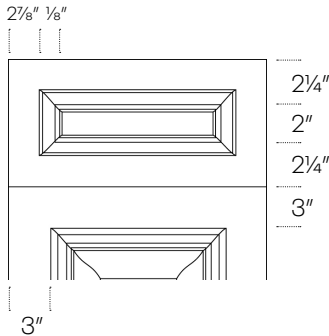
\*Must call out finished sides for all PLUS orders

Finish	Price Code
RB10 - White (paint)	C
RB23 - Stone (hybrid stain)	C
Richmond Plus - RBP	Price Code
101 - Sleek White	O
102 - Linen	O
103 - Sahara	O
104 - Mountain Stream	O
105 - Adirondack Blue	O
106 - Sage	O
107 - Evergreen	O
108 - Rumors	O
109 - Cracked Pepper	O
110 - Jet Black	O

## Park Avenue



A full overlay 5 piece solid wood, raised panel MDF veneer center. Mitered construction.



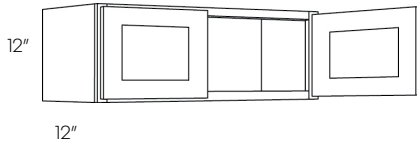
Finish	Price Code
PB10 - White (paint)	C
PB27- Ocean (paint)	C



# Specifications & Pricing

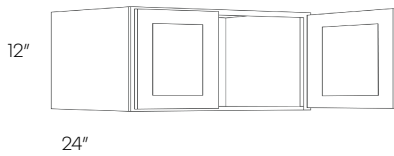
Plus Program

Item Number	Plus Program								
	A	B	C	D	M	N	O	P	
<b>12" High Wall Cabinet</b>									
<b>3012</b>	500	525	551	629	599	629	661	694	
<b>3312</b>	518	544	571	652	621	652	685	719	
<b>3612</b>	562	591	620	709	675	709	744	781	
<b>3912</b>	607	637	669	765	728	765	803	843	



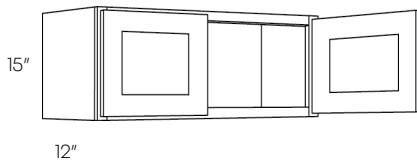
• No Shelf

<b>12" High, 24" Deep Wall Cabinet</b>									
<b>3012X24</b>	713	749	786	898	856	898	943	990	
<b>3312X24</b>	726	763	801	915	871	915	961	1009	
<b>3612X24</b>	750	787	827	945	900	945	992	1041	
<b>3912X24</b>	809	849	892	1019	970	1019	1070	1123	



• No Shelf

<b>15" High Wall Cabinet</b>									
<b>1215 (one door)</b>	325	342	359	410	390	410	430	452	
<b>1515 (one door)</b>	349	366	385	440	419	440	462	485	
<b>1815 (one door)</b>	375	394	414	473	450	473	496	521	
<b>2115 (one door)</b>	401	421	442	506	482	506	531	557	
<b>2415</b>	493	518	544	621	592	621	652	685	
<b>2715</b>	646	679	713	814	775	814	855	898	
<b>3015</b>	507	533	559	639	609	639	671	705	
<b>3315</b>	530	556	584	667	636	667	701	736	
<b>3615</b>	562	591	620	709	675	709	744	781	
<b>3915</b>	620	651	684	781	744	781	820	861	

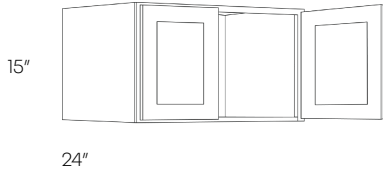


• No Shelf

Plus Program

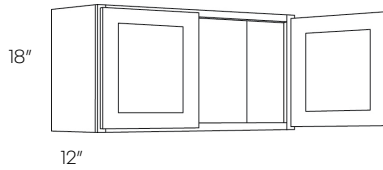
Item Number	Plus Program								
	A	B	C	D	M	N	O	P	
<b>3015X24</b>	682	716	752	859	818	859	902	947	
<b>3315X24</b>	794	834	876	1001	953	1001	1051	1103	
<b>3615X24</b>	759	797	837	956	911	956	1004	1054	
<b>3915X24</b>	834	875	919	1050	1000	1050	1103	1158	

15" High, 24" Deep Wall Cabinet



• No Shelf

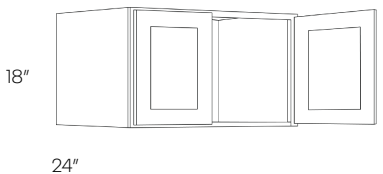
18" High Wall Cabinet



<b>1218 (one door)</b>	373	391	411	469	447	469	493	517
<b>1518 (one door)</b>	400	420	441	504	480	504	529	556
<b>1818 (one door)</b>	430	452	474	542	516	542	569	597
<b>2118 (one door)</b>	468	492	516	590	562	590	619	650
<b>2418</b>	493	518	544	621	592	621	652	685
<b>2718</b>	504	529	555	634	604	634	666	699
<b>3018</b>	515	541	568	649	618	649	682	716
<b>3318</b>	559	586	616	704	670	704	739	776
<b>3618</b>	640	672	705	806	768	806	846	889
<b>3918</b>	716	752	789	902	859	902	947	994

• No Shelf

18" High, 24" Deep Wall Cabinet



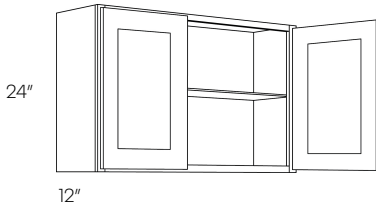
<b>3018X24</b>	759	797	837	956	911	956	1004	1054
<b>3318X24</b>	836	878	922	1054	1003	1054	1106	1162
<b>3618X24</b>	855	897	942	1077	1025	1077	1131	1187
<b>3918X24</b>	872	915	961	1098	1046	1098	1153	1211

• No Shelf

Plus Program

Item Number	A	B	C	D	M	N	O	P
<b>2424</b>	676	710	746	852	812	852	895	940
<b>2724</b>	693	728	765	874	832	874	917	963
<b>3024</b>	708	743	780	892	849	892	936	983
<b>3324</b>	754	791	831	950	904	950	997	1047
<b>3624</b>	810	851	893	1021	972	1021	1072	1125
<b>3924</b>	885	929	975	1115	1062	1115	1170	1229
<b>4224</b>	963	1011	1062	1214	1156	1214	1274	1338

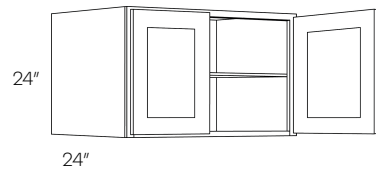
24" High Wall Cabinet



- Has One Shelf

24" High, 24" Deep Wall Cabinet

<b>3024X24</b>	946	994	1043	1192	1135	1192	1252	1314
<b>3324X24</b>	1020	1071	1124	1285	1224	1285	1349	1416
<b>3624X24</b>	1093	1148	1205	1377	1312	1377	1446	1518
<b>3924X24</b>	1203	N/A	N/A	1516	1444	1516	1592	1671

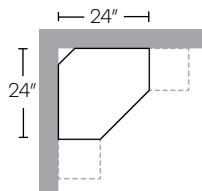
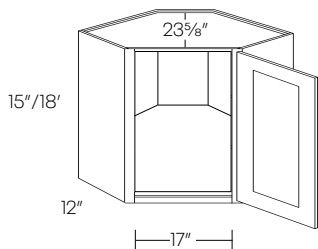


- Has One Shelf

15" - 18" High Diagonal Corner Wall Cabinet

<b>CW2415</b>	750	787	827	945	900	945	992	1041
<b>CW2418</b>	856	899	944	1078	1027	1078	1132	1189

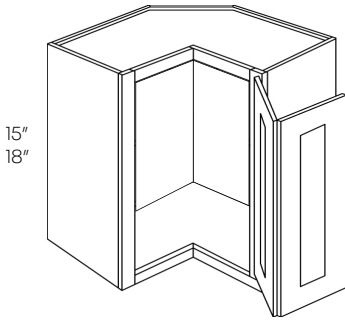
- 2430 uses 14<sup>11</sup>/<sub>16</sub>" door
- Requires 24" X 24" wall space
- Not available in Park Ave



Plus Program

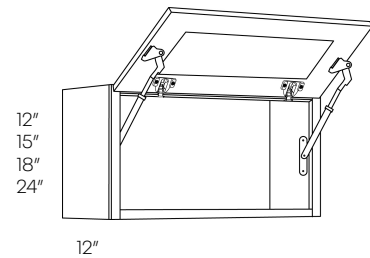
Item Number	Plus Program								
	A	B	C	D	M	N	O	P	
<b>WSQ2415</b>	750	787	827	945	900	945	992	1041	
<b>WSQ2418</b>	856	899	944	1078	1027	1078	1132	1189	

Square Corner Wall Cabinet



• Not available in Park Ave

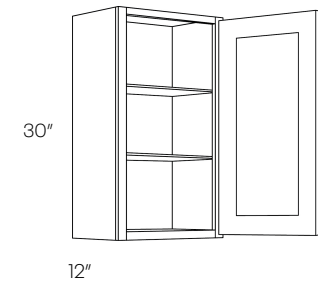
Horizontal Wall Cabinet



<b>3012-HD</b>	762	800	840	959	914	959	1007	1058
<b>3015-HD</b>	769	808	848	969	923	969	1018	1069
<b>3018-HD</b>	777	816	857	979	933	979	1028	1080
<b>3024-HD *</b>	970	1018	1069	1222	1164	1222	1283	1347
<b>3612-HD</b>	824	866	909	1039	989	1039	1091	1145
<b>3615-HD</b>	824	866	909	1039	989	1039	1091	1145
<b>3618-HD</b>	902	947	994	1136	1082	1136	1193	1253
<b>3624-HD*</b>	1072	1126	1182	1351	1286	1351	1418	1489

\*Has One Shelf

30" High Single Door Wall Cabinet



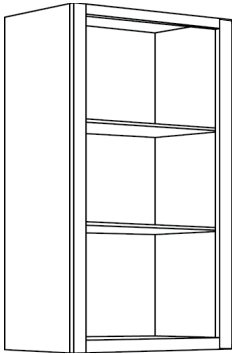
<b>930</b>	401	421	442	506	482	506	531	557
<b>1230</b>	447	470	493	563	537	563	591	621
<b>1530</b>	483	507	532	608	579	608	638	670
<b>1830</b>	543	570	598	684	651	684	718	754
<b>2130</b>	649	681	715	818	779	818	858	901

Plus Program

Item Number	Plus Program								
	A	B	C	D	M	N	O	P	
<b>WOC1830</b>	561	589	619	707	673	707	742	779	

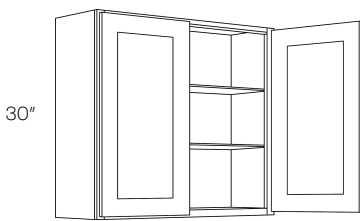
30" High Open Wall Cabinet

• Finished interior



30" High Double Door Wall Cabinet

<b>2430</b>	692	727	763	872	831	872	916	961
<b>2730</b>	762	800	840	959	914	959	1007	1058
<b>3030</b>	781	820	861	984	937	984	1033	1085
<b>3330</b>	848	890	935	1068	1018	1068	1122	1178
<b>3630</b>	903	948	996	1138	1084	1138	1195	1254
<b>3930</b>	974	1022	1074	1227	1168	1227	1288	1353
<b>4230</b>	1035	1087	1141	1304	1242	1304	1370	1438

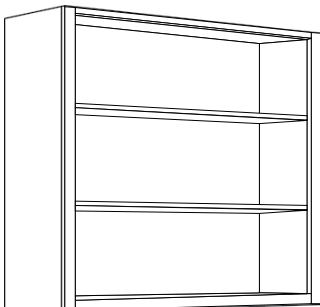


12"

30" High Open Wall Cabinet

<b>WOC3030</b>	807	848	890	1017	969	1017	1068	1121
----------------	-----	-----	-----	------	-----	------	------	------

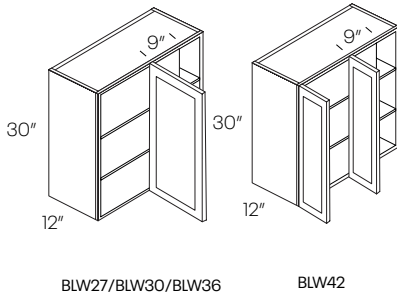
• Finished interior



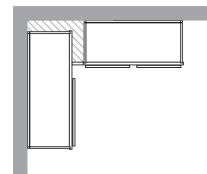
Plus Program

Item Number	A	B	C	D	M	N	O	P
<b>BLW27/3030 (1 door)</b>	984	1034	1085	1240	1181	1240	1302	1367
<b>BLW30/3330 (1 door)</b>	1080	1134	1191	1361	1296	1361	1429	1500
<b>BLW36/3930 (1 door)</b>	1176	1234	1296	1481	1411	1481	1555	1633
<b>BLW42/4530</b>	1410	1481	1555	1777	1692	1777	1865	1959

30" High Blind Wall Cabinet



• Reversible left or right

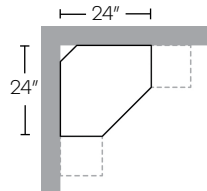
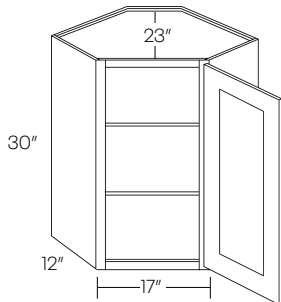


Cabinet	Min. Pull	Max. Pull	Actual Size	Door(s)	Door Opening
BLW27/3030	27"	30"	27"	1230	9" X 27"
BLW30/3330	30"	33"	30"	1530	12" X 27"
BLW36/3930	36"	39"	36"	2130	18" X 27"
BLW42/4530	42"	45"	42"	2730	24" X 27"

30" High Diagonal Corner Wall Cabinet

<b>CW2430</b>	1008	1058	1111	1270	1209	1270	1333	1400
---------------	------	------	------	------	------	------	------	------

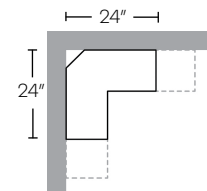
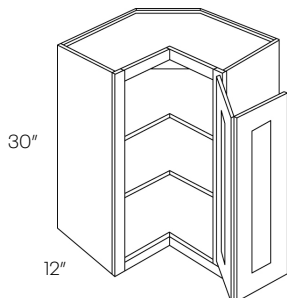
- 2430 uses 14<sup>11</sup>/<sub>16</sub>" door
- Requires 24" X 24" wall space



30" High Corner Wall Cabinet

<b>WSQ2430</b>	1160	1218	1279	1461	1392	1461	1534	1611
----------------	------	------	------	------	------	------	------	------

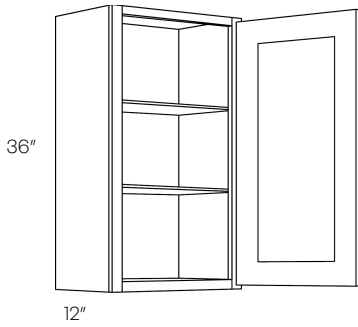
- Requires 24" X 24" wall space
- Pie is 12" X 12"



Plus Program

Item Number	Plus Program							
	A	B	C	D	M	N	O	P
<b>936</b>	458	481	505	577	549	577	605	636
<b>1236</b>	507	533	559	639	609	639	671	705
<b>1536</b>	548	575	604	690	658	690	725	761
<b>1836</b>	618	648	681	778	741	778	817	858
<b>2136</b>	737	774	812	928	884	928	975	1023

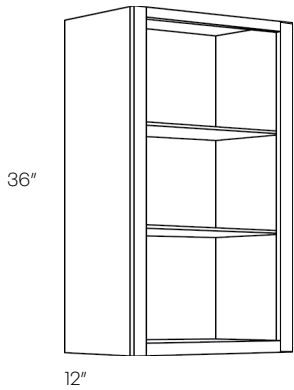
36" High Single Door Wall Cabinet



36" High Open Wall Cabinet

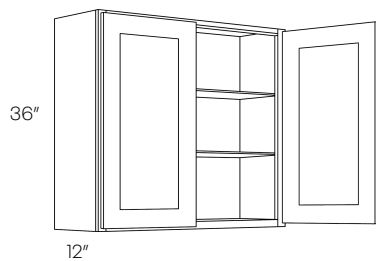
<b>WOC1836</b>	667	701	736	841	801	841	883	927
----------------	-----	-----	-----	-----	-----	-----	-----	-----

• Finished interior



36" High Double Door Wall Cabinet

<b>2436</b>	789	829	870	994	947	994	1044	1096
<b>2736</b>	865	908	954	1090	1038	1090	1144	1202
<b>3036</b>	891	936	983	1123	1069	1123	1179	1238
<b>3336</b>	970	1018	1069	1222	1164	1222	1283	1347
<b>3636</b>	1030	1082	1136	1298	1236	1298	1363	1431
<b>4236</b>	1176	1234	1296	1481	1411	1481	1555	1633



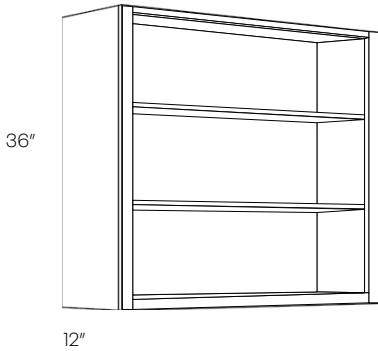
Plus Program

Item Number	A	B	C	D	M	N	O	P
-------------	---	---	---	---	---	---	---	---

36" High Open Wall Cabinet

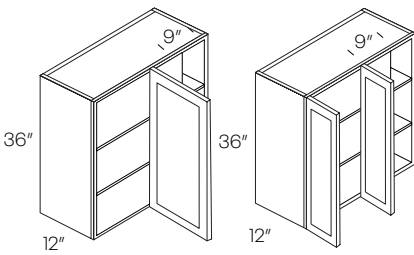
<b>WOC3036</b>	984	1034	1085	1240	1181	1240	1302	1367
----------------	-----	------	------	------	------	------	------	------

- Finished interior



36" High Blind Wall Cabinet

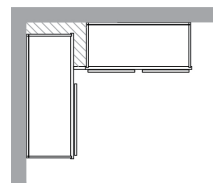
<b>BLW27/3036</b>	1119	1175	1234	1410	1343	1410	1481	1555
<b>BLW30/3336</b>	1232	1293	1358	1552	1478	1552	1630	1711
<b>BLW36/3936</b>	1343	1410	1481	1692	1612	1692	1777	1866
<b>BLW42/4536</b>	1456	1529	1605	1834	1747	1834	1926	2022



BLW27/BLW36

BLW39

- Reversible left or right

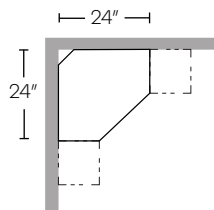
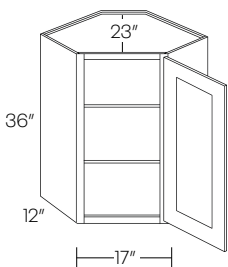


Cabinet	Min. Pull	Max. Pull	Actual Size	Door(s)	Door Opening
BLW27/3036	27"	30"	27"	1236	9" X 33"
BLW30/3336	30"	33"	30"	1536	12" X 33"
BLW36/3936	36"	39"	36"	2136	18" X 33"
BLW42/4536	42"	45"	42"	2736	24" X 33"

36" High Diagonal Corner Wall Cabinet

<b>CW2436</b>	1151	1208	1269	1450	1381	1450	1522	1598
---------------	------	------	------	------	------	------	------	------

- 2430 uses 14<sup>1</sup>/<sub>16</sub>" door
- Requires 24" X 24" wall space



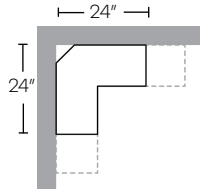
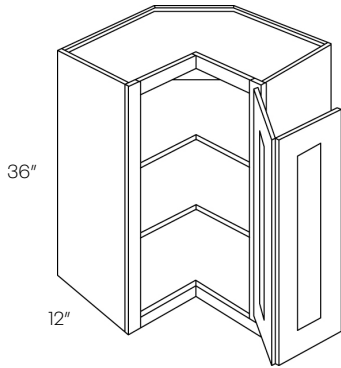
Plus Program

Item Number	A	B	C	D	M	N	O	P
-------------	---	---	---	---	---	---	---	---

36" High Corner Wall Cabinet

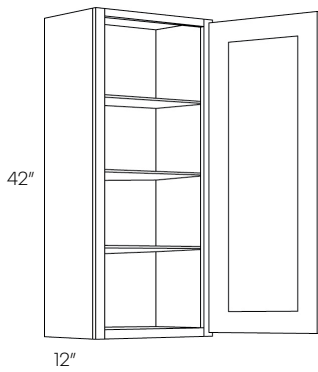
WSQ2436	1220	1281	1345	1537	1464	1537	1614	1695
---------	------	------	------	------	------	------	------	------

- Requires 24" X 24" wall space
- Pie is 12" X 12"



42" High Single Door Wall Cabinet

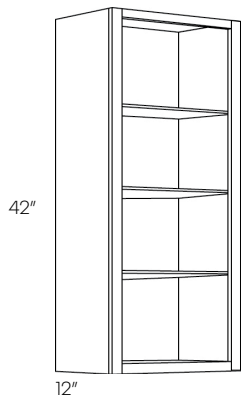
<b>942</b>	540	567	596	681	648	681	715	750
<b>1242</b>	585	614	645	737	702	737	773	812
<b>1542</b>	646	679	713	814	775	814	855	898
<b>1842</b>	718	754	792	905	862	905	950	998
<b>2142</b>	856	899	944	1078	1027	1078	1132	1189



42" High Open Wall Cabinet

<b>WOC1842</b>	741	778	817	933	889	933	980	1029
----------------	-----	-----	-----	-----	-----	-----	-----	------

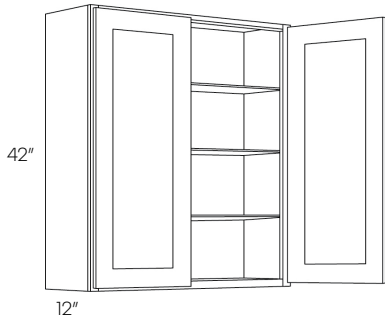
- Finished interior



Plus Program

Item Number	Plus Program								
	A	B	C	D	M	N	O	P	
<b>2442</b>	917	963	1011	1156	1101	1156	1214	1274	
<b>2742</b>	1011	1061	1114	1273	1213	1273	1337	1404	
<b>3042</b>	1047	1100	1154	1319	1257	1319	1385	1455	
<b>3342</b>	1126	1182	1241	1418	1351	1418	1489	1564	
<b>3642</b>	1195	1255	1318	1506	1434	1506	1581	1660	
<b>4242</b>	1386	1456	1529	1747	1664	1747	1834	1926	

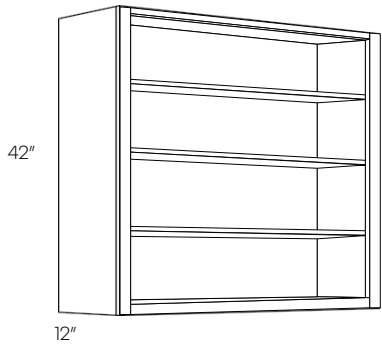
42" High Double Door Wall Cabinet



42" High Open Wall Cabinet

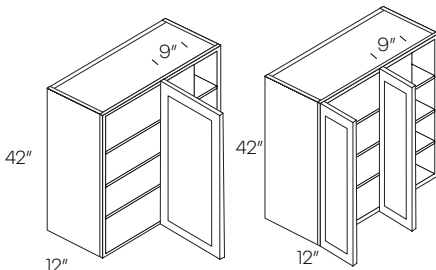
<b>WOC3042</b>	1083	1137	1193	1364	1299	1364	1432	1504
----------------	------	------	------	------	------	------	------	------

• Finished interior



42" High Blind Wall Cabinet

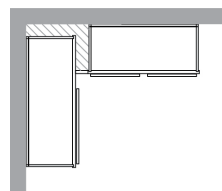
<b>BLW27/3042</b>	1270	1333	1400	1600	1524	1600	1680	1764
<b>BLW30/3342</b>	1398	1468	1542	1762	1678	1762	1850	1942
<b>BLW36/3942</b>	1527	1603	1683	1923	1832	1923	2020	2121
<b>BLW42/4542</b>	1655	1738	1825	2085	1986	2085	2189	2299



BLW27/BLW36

BLW42

• Reversible left or right



Cabinet	Min. Pull	Max. Pull	Actual Size	Door(s)	Door Opening
BLW27/3042	27"	30"	27"	1242	9" X 39"
BLW30/3342	30"	33"	30"	1542	12" X 39"
BLW36/3942	36"	39"	36"	2142	18" X 39"
BLW42/4542	42"	45"	42"	2742	24" X 39"

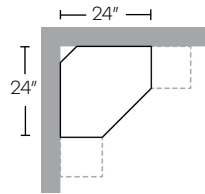
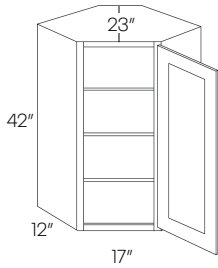
Plus Program

Item Number	A	B	C	D	M	N	O	P
-------------	---	---	---	---	---	---	---	---

42" High 4 Door Wall Cabinet

<b>CW2442</b>	1309	1375	1443	1649	1571	1649	1732	1818
---------------	------	------	------	------	------	------	------	------

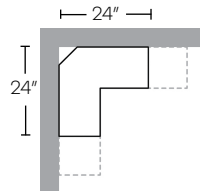
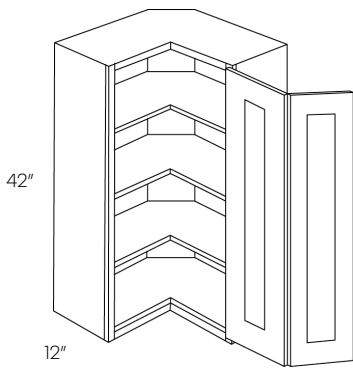
• Requires 24" X 24" wall space



42" High Corner Wall Cabinet

<b>WSQ2442</b>	1514	1589	1669	1907	1816	1907	2002	2102
----------------	------	------	------	------	------	------	------	------

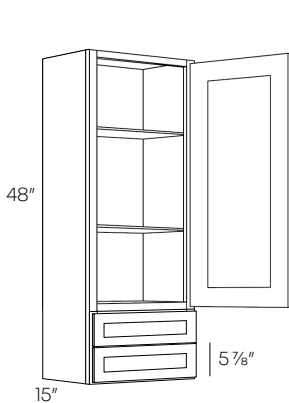
• Requires 24" X 24"  
• Pie is 12" X 12"



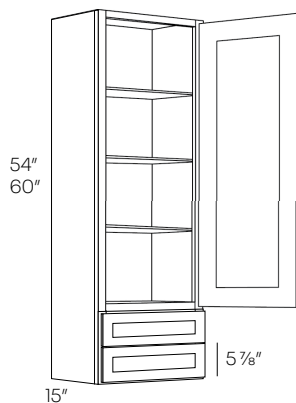
Wall Countertop Cabinet

<b>CT1848</b>	1238	1300	1365	1560	1486	1560	1638	1720
<b>CT1854</b>	1376	1445	1517	1734	1651	1734	1820	1911
<b>CT1860</b>	1504	1580	1659	1895	1805	1895	1990	2090

• Must sit on top of counter  
• Not available in Park Ave



CT1848



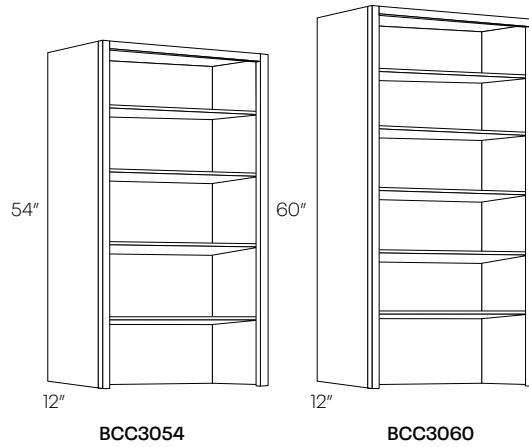
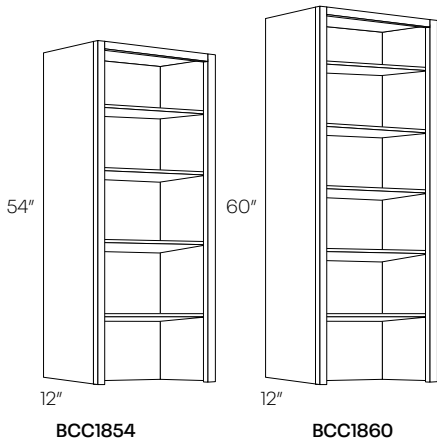
CT1854/CT1860

Plus Program

Item Number	A	B	C	D	M	N	O	P
<b>BCC1854</b>	1147	1204	1264	1445	1376	1445	1517	1593
<b>BCC1860</b>	1254	1317	1383	1580	1505	1580	1659	1742
<b>BCC3054</b>	1588	1668	1751	2001	1906	2001	2101	2206
<b>BCC3060</b>	1696	1780	1869	2136	2035	2136	2243	2355

Bookcase Cabinet

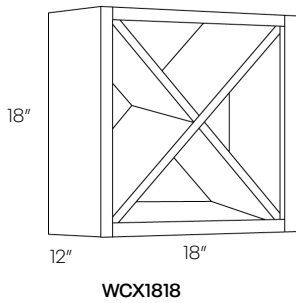
- Finished interior
- Must sit on top of counter
- Adjustable shelves
- No floor



Wine Rack Cabinet

<b>WCX1818</b>	425	446	468	535	510	535	562	590
----------------	-----	-----	-----	-----	-----	-----	-----	-----

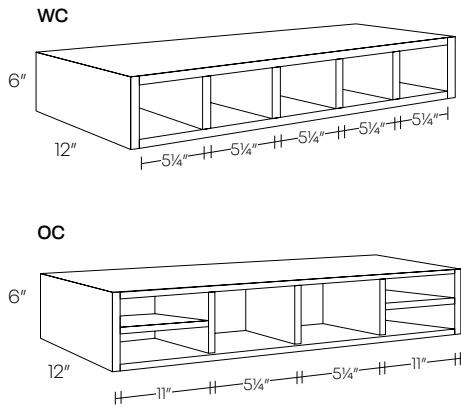
- Finished interior



Plus Program

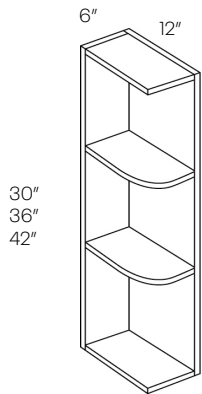
Item Number	Plus Program							
	A	B	C	D	M	N	O	P
<b>OC36</b>	352	369	388	443	422	443	465	488
<b>WC30</b>	323	339	356	407	387	407	427	448
<b>WC36</b>	335	351	369	421	401	421	442	465

Organizer Cubby



- Finished interior
- Wood is 3/4" thick

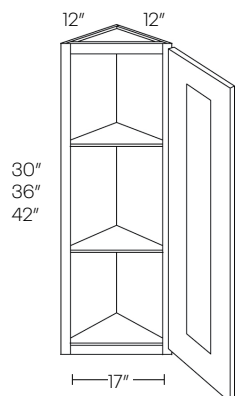
Knick Knack Wall Shelf



<b>WS30</b>	247	259	272	311	296	311	326	343
<b>WS36</b>	290	304	320	365	348	365	384	403
<b>WS42</b>	283	298	312	357	340	357	375	394

- Reversible
- Fixed shelves
- 42" Has 3 shelves

Single Door Wall End Cabinet



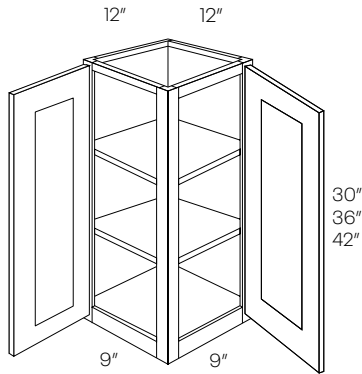
<b>WEC1230</b>	471	494	519	593	565	593	623	654
<b>WEC1236</b>	536	563	591	676	643	676	709	745
<b>WEC1242</b>	597	626	658	752	716	752	789	829

- 42" Has 3 shelves

Plus Program

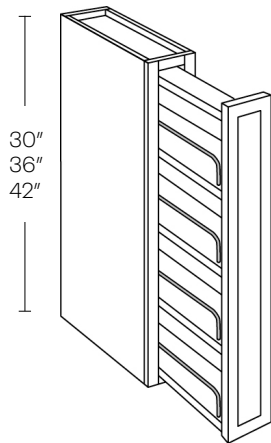
Item Number	Plus Program								
	A	B	C	D	M	N	O	P	
<b>WECD1230</b>	598	628	659	753	717	753	791	830	
<b>WECD1236</b>	670	703	739	844	804	844	886	930	
<b>WECD1242</b>	749	786	825	943	898	943	990	1040	

**Double Door Wall End Cabinet**



- 42" Has 3 shelves

**Wall Spice Cabinet**



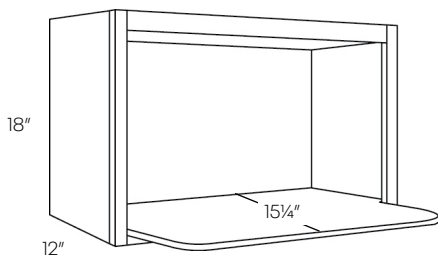
<b>WSP30</b>	531	558	585	669	637	669	702	738
<b>WSP36</b>	619	650	682	780	742	780	819	859
<b>WSP42</b>	656	687	721	824	785	824	865	909

- Cabinet is 6" wide
- Not full extension

**Microwave Cabinet**

<b>MW3018</b>	679	713	749	856	815	856	898	943
---------------	-----	-----	-----	-----	-----	-----	-----	-----

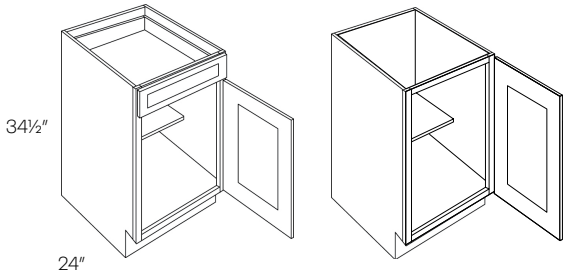
- Finished interior
- Opening 27" W X 14¼" H
- Shelf ships loose
- Depth of the shelf may be cut-down



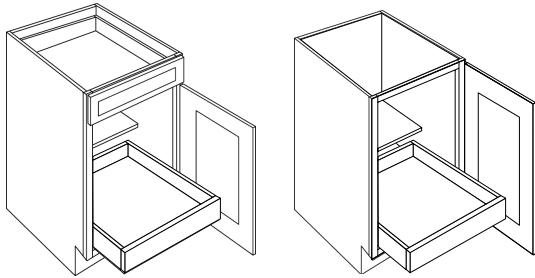
Plus Program

Item Number	A	B	C	D	M	N	O	P
-------------	---	---	---	---	---	---	---	---

Single Door & Drawer Base Cabinet

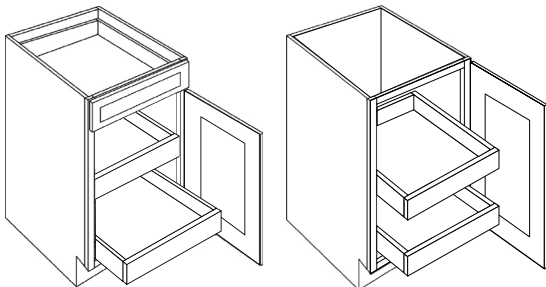


Full Height



1 POS

Full Height 1 POS



2 POS

Full Height 2 POS

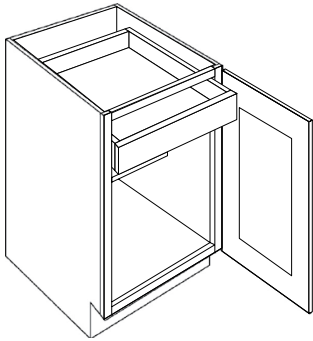
<b>B9</b>	585	614	645	737	702	737	773	812
<b>B12</b>	673	706	741	847	807	847	890	934
<b>B15</b>	704	739	776	887	845	887	931	978
<b>B18</b>	739	776	815	931	887	931	978	1027
<b>B21</b>	843	885	929	1062	1011	1062	1115	1171
<b>B9-FH</b>	585	614	645	737	702	737	773	812
<b>B12-FH</b>	673	706	741	847	807	847	890	934
<b>B15-FH</b>	704	739	776	887	845	887	931	978
<b>B18-FH</b>	739	776	815	931	887	931	978	1027
<b>B21-FH</b>	843	885	929	1062	1011	1062	1115	1171
<b>B12-POS1</b>	996	1029	1064	1170	1130	1170	1213	1257
<b>B15-POS1</b>	1037	1072	1109	1220	1178	1220	1264	1311
<b>B18-POS1</b>	1096	1133	1172	1288	1244	1288	1335	1384
<b>B21-POS1</b>	1213	1255	1299	1432	1381	1432	1485	1541
<b>B12-FH-POS1</b>	996	1029	1064	1170	1130	1170	1213	1257
<b>B15-FH-POS1</b>	1037	1072	1109	1220	1178	1220	1264	1311
<b>B18-FH-POS1</b>	1096	1133	1172	1288	1244	1288	1335	1384
<b>B21-FH-POS1</b>	1213	1255	1299	1432	1381	1432	1485	1541
<b>B12-POS2</b>	1319	1352	1387	1493	1453	1493	1536	1580
<b>B15-POS2</b>	1370	1405	1442	1553	1511	1553	1597	1644
<b>B18-POS2</b>	1453	1490	1529	1645	1601	1645	1692	1741
<b>B21-POS2</b>	1583	1625	1669	1802	1751	1802	1855	1911
<b>B12-FH-POS2</b>	1319	1352	1387	1493	1453	1493	1536	1580
<b>B15-FH-POS2</b>	1370	1405	1442	1553	1511	1553	1597	1644
<b>B18-FH-POS2</b>	1453	1490	1529	1645	1601	1645	1692	1741
<b>B21-FH-POS2</b>	1583	1625	1669	1802	1751	1802	1855	1911

• Undermount soft close glides for POS  
 • POS has natural finish

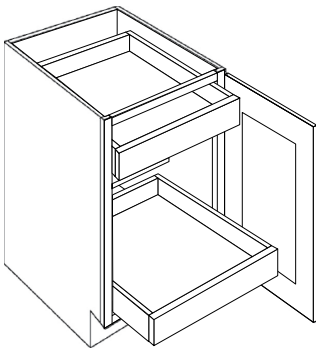
Plus Program

Item Number	A	B	C	D	M	N	O	P
<b>B12-FH-POD</b>	996	1029	1064	1170	1130	1170	1213	1257
<b>B12-FH-POS1-POD</b>	1319	1352	1387	1493	1453	1493	1536	1580
<b>B12-FH-POS2-POD</b>	1642	1675	1710	1816	1776	1816	1859	1903
<b>B15-FH-POD</b>	1037	1072	1109	1220	1178	1220	1264	1311
<b>B15-FH-POS1-POD</b>	1370	1405	1442	1553	1511	1553	1597	1644
<b>B15-FH-POS2-POD</b>	1703	1738	1775	1886	1844	1886	1930	1977
<b>B18-FH-POD</b>	1096	1133	1172	1288	1244	1288	1335	1384
<b>B18-FH-POS1-POD</b>	1453	1490	1529	1645	1601	1645	1692	1741
<b>B18-FH-POS2-POD</b>	1810	1847	1886	2002	1958	2002	2049	2098
<b>B21-FH-POD</b>	1213	1255	1299	1432	1381	1432	1485	1541
<b>B21-FH-POS1-POD</b>	1583	1625	1669	1802	1751	1802	1855	1911
<b>B21-FH-POS2-POD</b>	1953	1995	2039	2172	2121	2172	2225	2281

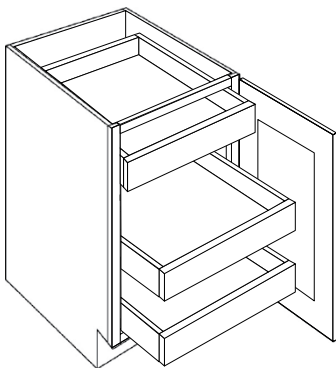
Single Door & Drawer Base Cabinet W/ POD



Full Height POD



Full Height POD, 1 POS

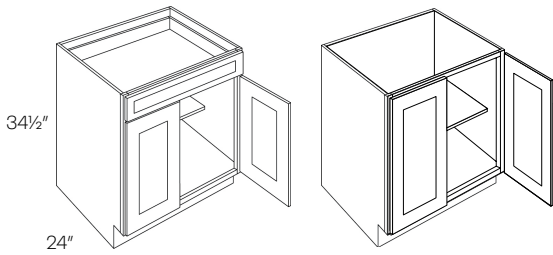


Full Height POD, 2 POS

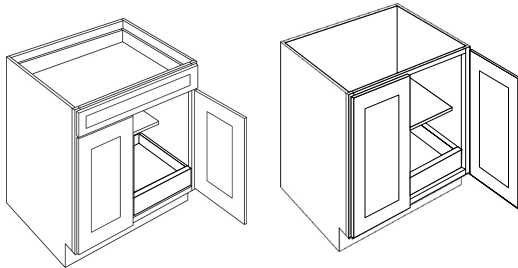
Plus Program

Item Number	Plus Program							
	A	B	C	D	M	N	O	P
<b>B24</b>	942	989	1039	1187	1131	1187	1247	1309
<b>B27</b>	1042	1094	1149	1313	1250	1313	1378	1447
<b>B24-FH</b>	942	989	1039	1187	1131	1187	1247	1309
<b>B27-FH</b>	1042	1094	1149	1313	1250	1313	1378	1447
<b>B24-POS1</b>	1347	1394	1444	1592	1536	1592	1652	1714
<b>B27-POS1</b>	1460	1512	1567	1731	1668	1731	1796	1865
<b>B24-FH-POS1</b>	1347	1394	1444	1592	1536	1592	1652	1714
<b>B27-FH-POS1</b>	1460	1512	1567	1731	1668	1731	1796	1865
<b>B24-POS2</b>	1752	1799	1849	1997	1941	1997	2057	2119
<b>B27-POS2</b>	1878	1930	1985	2149	2086	2149	2214	2283
<b>B24-FH-POS2</b>	1752	1799	1849	1997	1941	1997	2057	2119
<b>B27-FH-POS2</b>	1878	1930	1985	2149	2086	2149	2214	2283

Single Drawer Double Door Base Cabinet

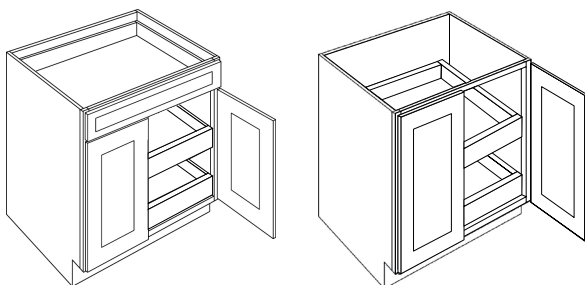


Full Height



1POS

Full Height 1POS



2POS

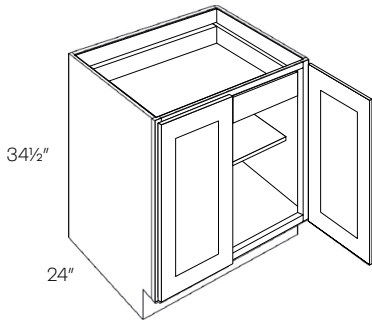
Full Height 2POS

- Undermount soft close glides for POS
- POS has natural finish

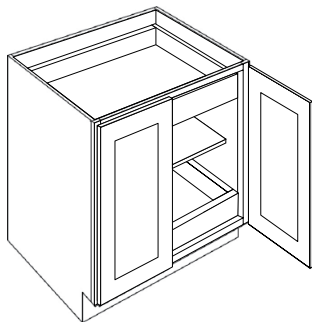
Plus Program

Item Number	Plus Program								
	A	B	C	D	M	N	O	P	
<b>B24-FH-POD</b>	1347	1394	1444	1592	1536	1592	1652	1714	
<b>B24-FH-POSI-POD</b>	1752	1799	1849	1997	1941	1997	2057	2119	
<b>B24-FH-POS2-POD</b>	2157	2204	2254	2402	2346	2402	2462	2524	
<b>B27-FH-POD</b>	1460	1512	1567	1731	1668	1731	1796	1865	
<b>B27-FH-POSI-POD</b>	1878	1930	1985	2149	2086	2149	2214	2283	
<b>B27-FH-POS2-POD</b>	2296	2348	2403	2567	2504	2567	2632	2701	

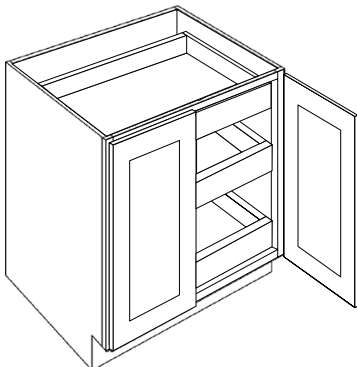
Single Drawer Double Door Base Cabinet W/ POD



Full Height POD



Full Height POD, 1 POS

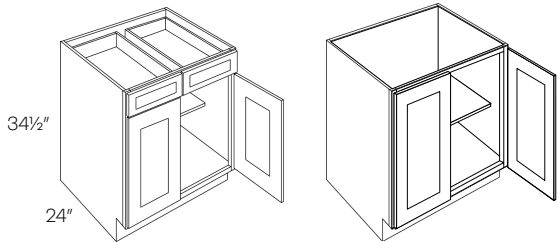


Full Height POD, 2 POS

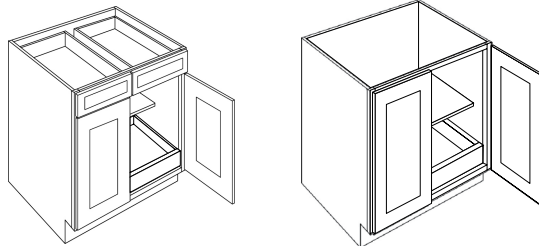
Plus Program

Item Number	A	B	C	D	M	N	O	P
<b>B30</b>	1135	1192	1251	1430	1362	1430	1501	1576
<b>B33</b>	1211	1271	1335	1526	1453	1526	1602	1682
<b>B36</b>	1270	1333	1400	1600	1524	1600	1680	1764
<b>B39</b>	1351	1419	1490	1702	1621	1702	1787	1877
<b>B42</b>	1423	1494	1569	1793	1708	1793	1883	1977
<b>B30-FH</b>	1135	1192	1251	1430	1362	1430	1501	1576
<b>B33-FH</b>	1211	1271	1335	1526	1453	1526	1602	1682
<b>B36-FH</b>	1270	1333	1400	1600	1524	1600	1680	1764
<b>B39-FH</b>	1351	1419	1490	1702	1621	1702	1787	1877
<b>B42-FH</b>	1423	1494	1569	1793	1708	1793	1883	1977
<b>B30-POS1</b>	1566	1623	1682	1861	1793	1861	1932	2007
<b>B33-POS1</b>	1657	1717	1781	1972	1899	1972	2048	2128
<b>B36-POS1</b>	1741	1804	1871	2071	1995	2071	2151	2235
<b>B42-POS1</b>	1912	1983	2058	2282	2197	2282	2372	2466
<b>B30-FH-POS1</b>	1566	1623	1682	1861	1793	1861	1932	2007
<b>B33-FH-POS1</b>	1657	1717	1781	1972	1899	1972	2048	2128
<b>B36-FH-POS1</b>	1741	1804	1871	2071	1995	2071	2151	2235
<b>B42-FH-POS1</b>	1912	1983	2058	2282	2197	2282	2372	2466
<b>B30-POS2</b>	1997	2054	2113	2292	2224	2292	2363	2438
<b>B33-POS2</b>	2103	2163	2227	2418	2345	2418	2494	2574
<b>B36-POS2</b>	2212	2275	2342	2542	2466	2542	2622	2706
<b>B42-POS2</b>	2401	2577	2547	2771	2686	2771	2861	2955
<b>B30-FH-POS2</b>	1997	2054	2113	2292	2224	2292	2363	2438
<b>B33-FH-POS2</b>	2103	2163	2227	2418	2345	2418	2494	2574
<b>B36-FH-POS2</b>	2212	2275	2342	2542	2466	2542	2622	2706
<b>B42-FH-POS2</b>	2401	2577	2547	2771	2686	2771	2861	2955
<b>B30-SDF</b>	1135	1192	1251	1430	1362	1430	1501	1576
<b>B33-SDF</b>	1211	1271	1335	1526	1453	1526	1602	1682
<b>B36-SDF</b>	1270	1333	1400	1600	1524	1600	1680	1764
<b>B30-SDF-POS1</b>	1566	1192	1251	1430	1362	1430	1501	1576
<b>B33-SDF-POS1</b>	1657	1271	1335	1526	1453	1526	1602	1682
<b>B36-SDF-POS1</b>	1741	1333	1400	1600	1524	1600	1680	1764
<b>B30-SDF-POS2</b>	1997	1192	1251	1430	1362	1430	1501	1576
<b>B33-SDF-POS2</b>	2103	1271	1335	1526	1453	1526	1602	1682
<b>B36-SDF-POS2</b>	2212	1333	1400	1600	1524	1600	1680	1764

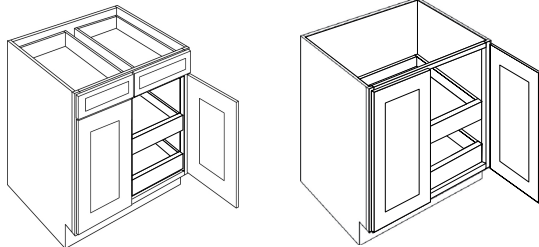
Double Drawer & Door Base Cabinet



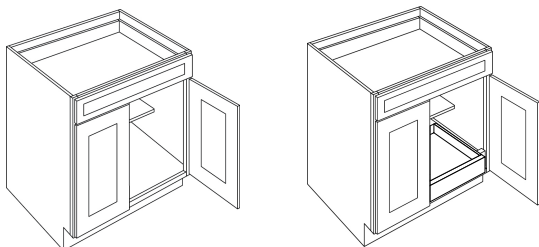
Full Height



Full Height, 1 POS

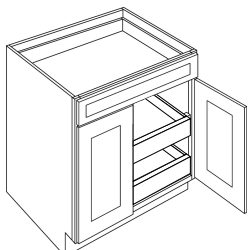


Full Height, 2 POS



Single Drawer Front

Single Drawer Front POS 1



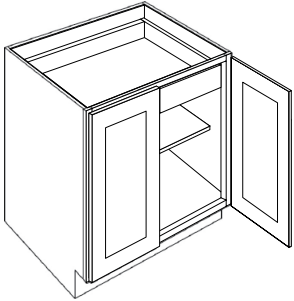
Single Drawer Front POS 2

- Undermount soft close glides for POS
- POS has natural finish

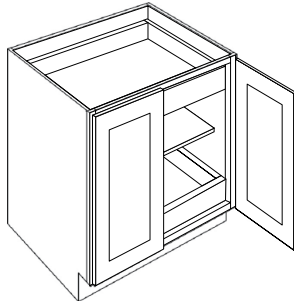
Plus Program

Item Number	A	B	C	D	M	N	O	P
<b>B30-FH-POD</b>	1566	1623	1682	1861	1793	1861	1932	2007
<b>B30-FH-POS1-POD</b>	1997	2054	2113	2292	2224	2292	2363	2438
<b>B30-FH-POS2-POD</b>	2428	2485	2544	2723	2655	2723	2794	2869
<b>B33-FH-POD</b>	1657	1717	1781	1972	1899	1972	2048	2128
<b>B33-FH-POS1-POD</b>	2103	2163	2227	2418	2345	2418	2494	2574
<b>B33-FH-POS2-POD</b>	2549	2609	2673	2864	2791	2864	2940	3020
<b>B36-FH-POD</b>	1741	1804	1871	2071	1995	2071	2151	2235
<b>B36-FH-POS1-POD</b>	2212	2275	2342	2542	2466	2542	2622	2706
<b>B36-FH-POS2-POD</b>	2683	2746	2813	3013	2937	3013	3093	3177
<b>B42-FH-POD</b>	1912	1983	2058	2282	2197	2282	2372	2466
<b>B42-FH-POS1-POD</b>	2401	2472	2547	2771	2686	2771	2861	2955
<b>B42-FH-POS2-POD</b>	2890	2961	3036	3260	3175	3260	3350	3444

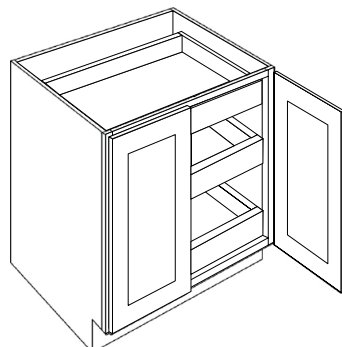
Double Drawer Double Door Base Cabinet W/ POD



Full Height POD



Full Height POD, 1 POS

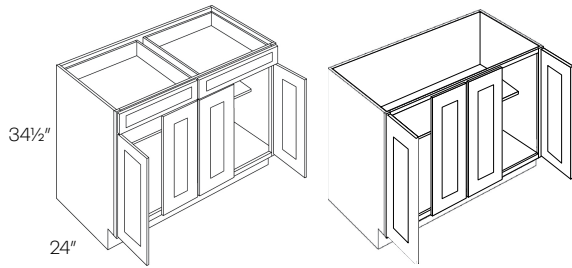


Full Height POD, 2 POS

Plus Program

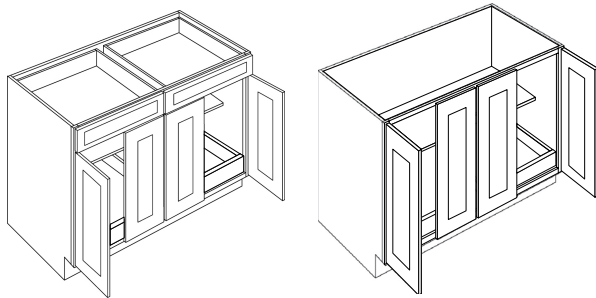
Item Number	A	B	C	D	M	N	O	P
<b>B48</b>	1578	1657	1739	1988	1893	1988	2087	2192
<b>B48-FH</b>	1578	1657	1739	1988	1893	1988	2087	2192
<b>B48-POS2 (Has 2 POS)</b>	2798	2877	2959	3208	3113	3208	3307	3412
<b>B48-FH-POS2 (Has 2 POS)</b>	2798	2877	2959	3208	3113	3208	3307	3412
<b>B48-POS4</b>	<b>4018</b>	4097	4179	4428	4333	4428	4527	4632
<b>B48-FH-POS4</b>	4018	4097	4179	4428	4333	4428	4527	4632

Double Drawer & 4 Door Base Cabinet



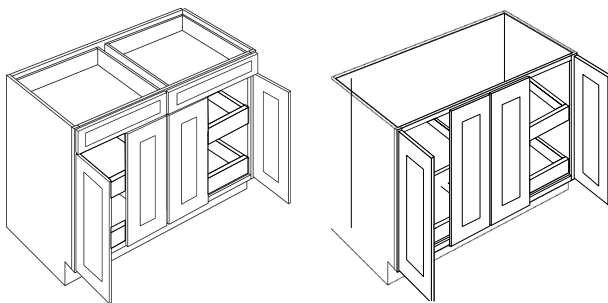
- Undermount soft close glides for POS
- POS has natural finish

Full Height



2 POS

Full Height 2 POS



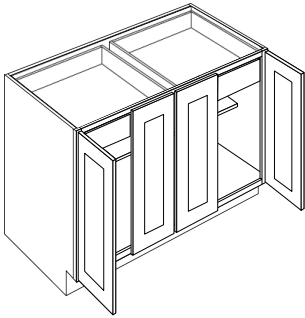
4 POS

Full Height 4 POS

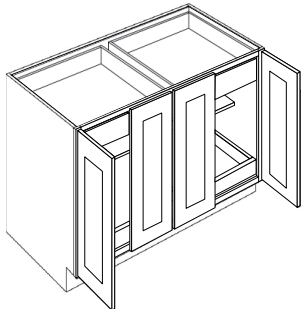
**Plus Program**

Item Number	Plus Program								
	A	B	C	D	M	N	O	P	
<b>B48-FH,POD</b>	2188	2267	2349	2598	2503	2598	2697	2802	
<b>B48-FH-POS2-POD</b>	4018	4097	4179	4428	4333	4428	4527	4632	
<b>B48-FH-POS4-POD</b>	5238	5317	5399	5648	5553	5648	5747	5852	

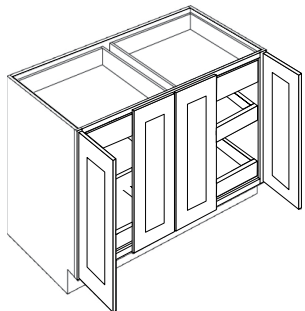
**Double Drawer & 4 Door Base Cabinet W/ POD**



**Full Height POD**



**Full Height POD, 2 POS**

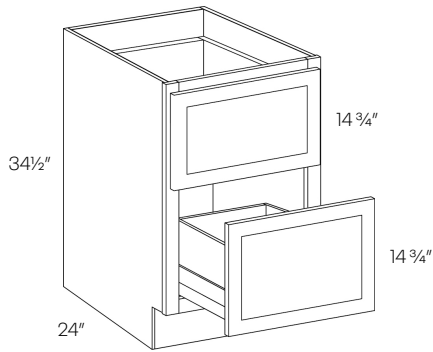


**Full Height POD, 4 POS**

Plus Program

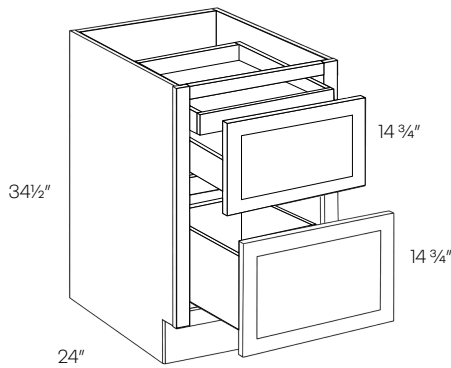
Item Number	Plus Program							
	A	B	C	D	M	N	O	P
<b>DB24-2</b>	1352	1420	1491	1704	1623	1704	1789	1879
<b>DB30-2</b>	1459	1531	1608	1838	1750	1838	1929	2026
<b>DB33-2</b>	1531	1607	1687	1928	1837	1928	2025	2126
<b>DB36-2</b>	1592	1672	1755	2006	1910	2006	2106	2212

2 Drawer Base Cabinet



• Height of drawers is 11"

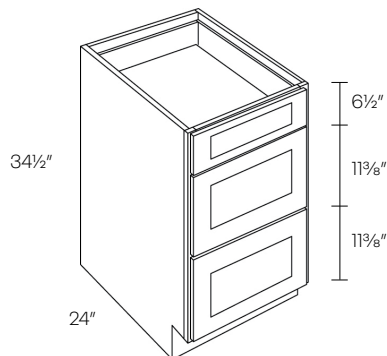
2 Drawer Base Cabinet W/ POD



- Standard height of drawers is 11"
- Top drawer walls are cut down to 7" for POD

<b>DB24-2-POD</b>	1611	1671	1734	1924	1852	1924	2000	2080
<b>DB30-2-POD</b>	1748	1814	1883	2090	2011	2090	2173	2260
<b>DB33-2-POD</b>	1977	2053	2133	2374	2283	2374	2471	2572
<b>DB36-2-POD</b>	1894	1965	2040	2264	2179	2264	2354	2448

3 Drawer Base Cabinet

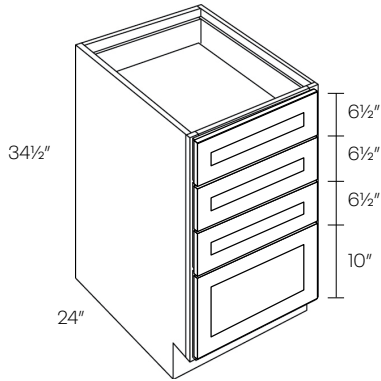


<b>DB12</b>	1041	1093	1147	1311	1249	1311	1377	1445
<b>DB15</b>	1089	1144	1201	1372	1307	1372	1441	1513
<b>DB18</b>	1123	1179	1238	1415	1348	1415	1486	1560
<b>DB21</b>	1165	1223	1284	1468	1398	1468	1541	1618
<b>DB24</b>	1206	1266	1329	1519	1447	1519	1595	1675
<b>DB27</b>	1237	1299	1364	1559	1484	1559	1637	1718
<b>DB30</b>	1317	1383	1452	1659	1580	1659	1742	1829
<b>DB33</b>	1531	1607	1687	1928	1837	1928	2025	2126
<b>DB36</b>	1423	1494	1569	1793	1708	1793	1883	1977

Plus Program

Item Number	Plus Program								
	A	B	C	D	M	N	O	P	
<b>DB12-4</b>	1592	1672	1755	2006	1910	2006	2106	2212	
<b>DB15-4</b>	1236	1298	1362	1557	1483	1557	1635	1717	
<b>DB18-4</b>	1270	1333	1400	1600	1524	1600	1680	1764	
<b>DB21-4</b>	1313	1379	1448	1654	1576	1654	1737	1824	
<b>DB24-4</b>	1352	1420	1491	1704	1623	1704	1789	1879	

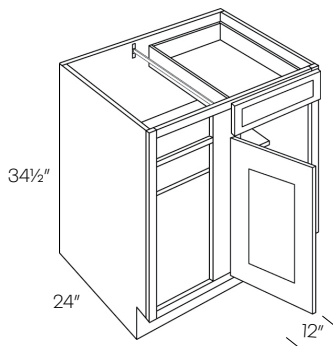
4 Drawer Base Cabinet



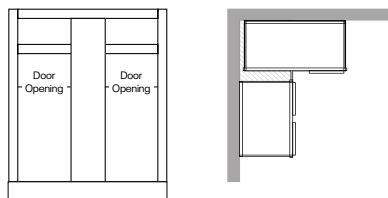
• Not available in Park Ave

Blind Base Cabinet

<b>BLB36/39</b>	1200	1260	1323	1512	1440	1512	1588	1667
<b>BLB39/42</b>	1238	1300	1365	1560	1486	1560	1638	1720
<b>BLB42/45</b>	1325	1391	1461	1669	1590	1669	1753	1840
<b>BLB45/48</b>	1418	1489	1563	1786	1701	1786	1876	1970
<b>BLB48/51</b>	1527	1603	1683	1923	1832	1923	2020	2121



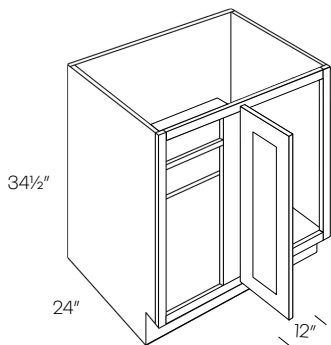
- Reversible Left or Right
- Must be pulled to the minimum position
- \* Left blind shown



Cabinet	Min. Pull	Max. Pull	Actual Size	Door(s)	Door Opening
BLB36/39	36"	39"	27"	B9	6"
BLB39/42	39"	42"	33"	B12	9"
BLB42/45	42"	45"	39"	B15	12"
BLB45/48	45"	48"	42"	B18	15"
BLB48/51	48"	51"	48"	B39	16.6"

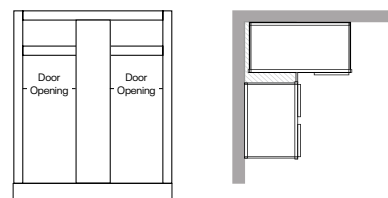
Full Height Blind Base Cabinet

<b>BLB36/39-FH</b>	1200	1260	1323	1512	1440	1512	1588	1667
<b>BLB39/42-FH</b>	1238	1300	1365	1560	1486	1560	1638	1720
<b>BLB42/45-FH</b>	1325	1391	1461	1669	1590	1669	1753	1840
<b>BLB45/48-FH</b>	1418	1489	1563	1786	1701	1786	1876	1970
<b>BLB48/51-FH</b>	1527	1603	1683	1923	1832	1923	2020	2121



Full Height Door

- Reversible Left or Right
- Must be pulled to the minimum position
- \* Left blind shown



Cabinet	Min. Pull	Max. Pull	Actual Size	Door(s)	Door Opening
BLB36/39-FH	36"	39"	27"	B9	6"
BLB39/42-FH	39"	42"	33"	B12	9"
BLB42/45-FH	42"	45"	39"	B15	12"
BLB45/48-FH	45"	48"	42"	B18	15"
BLB48/51-FH	48"	51"	48"	B39	16.6"

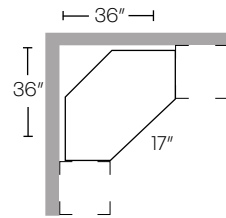
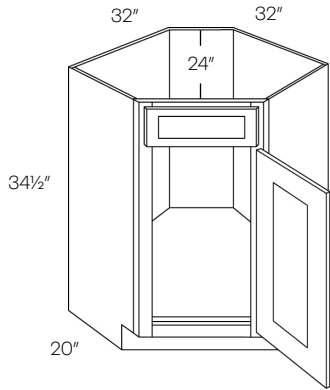
Plus Program

Item Number	A	B	C	D	M	N	O	P
-------------	---	---	---	---	---	---	---	---

Diagonal Corner Sink Base Cabinet

CSB36	1820	1911	2007	2293	2184	2293	2408	2528
-------	------	------	------	------	------	------	------	------

• Requires 36" X 36" wall space

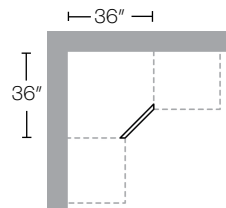
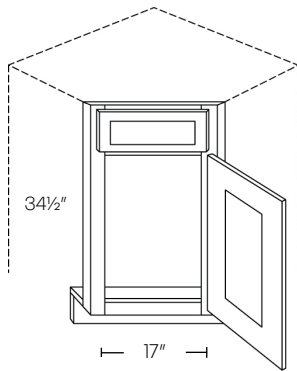


Diagonal Corner Sink Front

CSF36*	368	368	368	464	442	442	442	464
--------	-----	-----	-----	-----	-----	-----	-----	-----

CSFFL36 (Floor)	173	173	173	218	208	208	208	218
-----------------	-----	-----	-----	-----	-----	-----	-----	-----

\*Requires 36" X 36" wall space  
\*Requires a floor (sold separately)

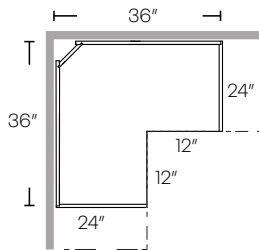
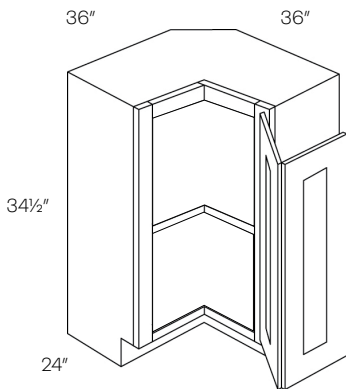


Easy Reach Corner Base Cabinet

ER36R	1820	1911	2007	2293	2184	2293	2408	2528
-------	------	------	------	------	------	------	------	------

ER36L	1820	1911	2007	2293	2184	2293	2408	2528
-------	------	------	------	------	------	------	------	------

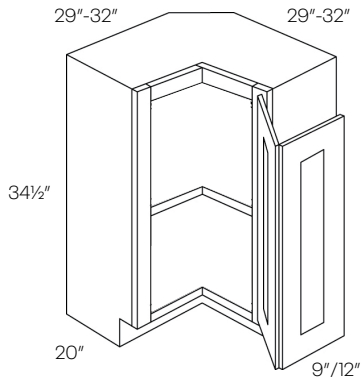
• Requires 36" X 36" wall space



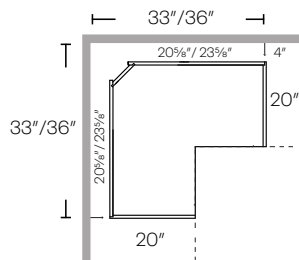
Plus Program

Item Number	A	B	C	D	M	N	O	P
<b>BSQC33R</b>	1882	1976	2074	2371	2258	2371	2489	2614
<b>BSQC33L</b>	1882	1976	2074	2371	2258	2371	2489	2614
<b>BSQC36R</b>	1882	1976	2074	2371	2258	2371	2489	2614
<b>BSQC36L</b>	1882	1976	2074	2371	2258	2371	2489	2614

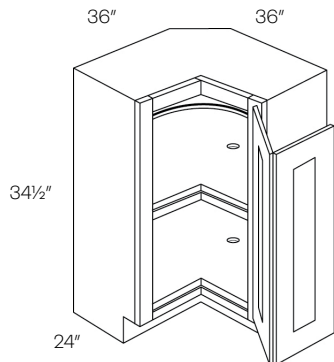
Base Square Corner Cabinet



• Requires 33" X 33" / 36" X 36" wall space

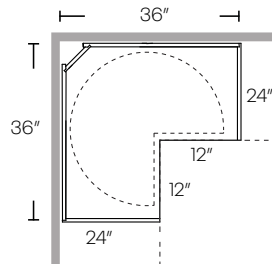


Lazy Susan Corner Base Cabinet

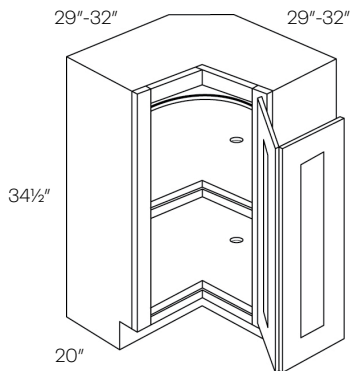


<b>LS36R</b>	1950	2047	2150	2457	2340	2457	2579	2708
<b>LS36L</b>	1950	2047	2150	2457	2340	2457	2579	2708

• Requires 36" X 36" wall space  
 • Pie is 2" X 12"  
 • Wooden Lazy Susan

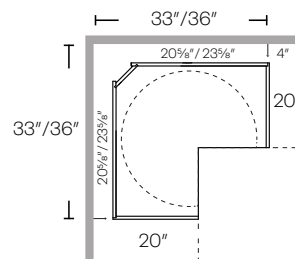


Carousel Corner Base Cabinet



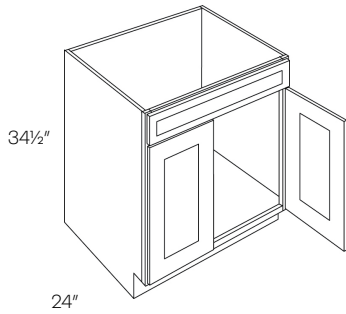
<b>CAR33R</b>	1950	2047	2150	2457	2430	2457	2579	2708
<b>CAR33L</b>	1950	2047	2150	2457	2430	2457	2579	2708
<b>CAR36R</b>	1950	2047	2150	2457	2430	2457	2579	2708
<b>CAR36L</b>	1950	2047	2150	2457	2430	2457	2579	2708

• Requires 33" X 33" / 36" X 36" wall space  
 • Pie is 9" X 9" / 12" X 12"  
 • Wooden Lazy Susan



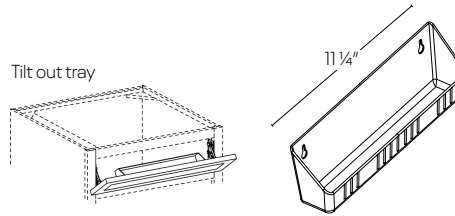
Plus Program

1 Drawer Front 2 Door Sink Base Cabinet

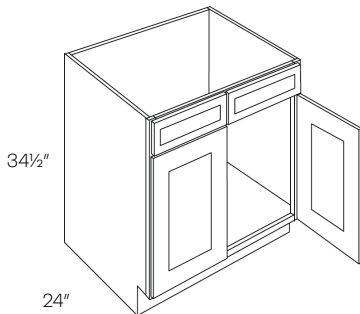


Item Number	A	B	C	D	M	N	O	P
<b>SB24</b>	889	933	980	1120	1066	1120	1176	1234
<b>SB27</b>	954	1002	1052	1202	1145	1202	1262	1325
<b>TOT*</b>	243	243	243	243	243	243	243	243
<b>CAR36L</b>	1950	2047	2150	2457	2430	2457	2579	2708

\* Factory Installed



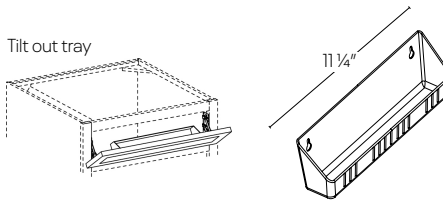
Double Drawer Front 2 Door Sink Base Cabinet



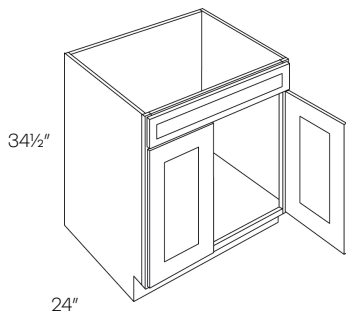
<b>SB30</b>	1011	1061	1114	1273	1213	1273	1337	1404
<b>SB33</b>	1071	1124	1180	1349	1285	1349	1416	1487
<b>SB36</b>	1097	1152	1209	1382	1316	1382	1451	1524
<b>SB39</b>	1124	1181	1240	1417	1349	1417	1488	1562
<b>SB42</b>	1149	1207	1267	1448	1379	1448	1520	1596
<b>TOT*</b>	243	243	243	243	243	243	243	243

\* Factory Installed

\* Cabinets include two 11 1/4" tilt out trays

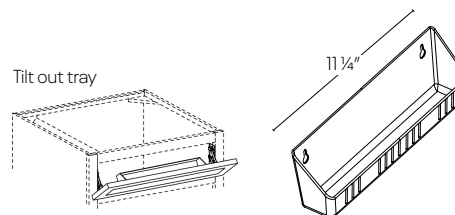


1 Drawer Front 2 Door Sink Base Cabinet



<b>SB30-SDF</b>	<b>1011</b>	1061	1114	1273	1213	1273	1337	1404
<b>SB33-SDF</b>	1071	1124	1180	1349	1285	1349	1416	1487
<b>SB36-SDF</b>	1097	1152	1209	1382	1316	1382	1451	1524
<b>TOT*</b>	243	243	243	243	243	243	243	243

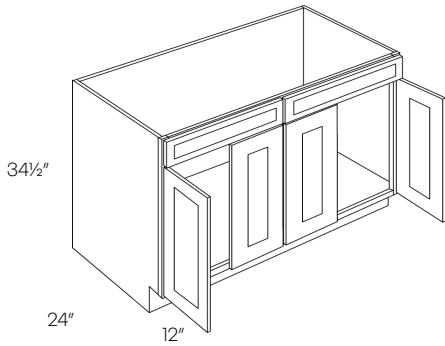
\* Factory Installed



Plus Program

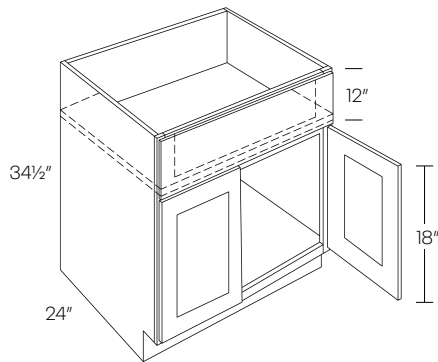
Item Number	Plus Program								
	A	B	C	D	M	N	O	P	
<b>SB48</b>	1292	1357	1425	1628	1550	1628	1709	1795	

**Double Drawer Front 4 Door Sink Base Cabinet**



**Double Door Farm Sink Base Cabinet**

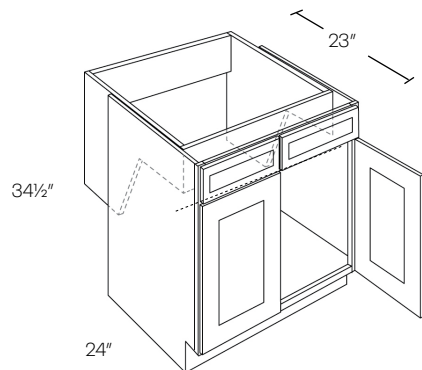
<b>SB30-FS</b>	1171	1230	1291	1475	1405	1475	1549	1627
<b>SB33-FS</b>	1247	1309	1374	1571	1496	1571	1649	1732
<b>SB36-FS</b>	1161	1219	1280	1584	1509	1884	1663	1747



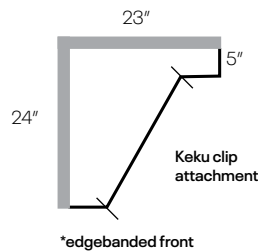
- Max trimmable 27"/30"/33" X 10"
- Trimming to be done in field
- Has a fixed platform

**Double Door Handicap Removable Sink Base Cabinet**

<b>SB30-HR</b>	1415	1485	1559	1782	1697	1782	1871	1965
<b>SB33-HR</b>	1449	1574	1652	1888	1799	1888	1983	2082
<b>SB36-HR</b>	1536	1612	1693	1935	1843	1935	2031	2133



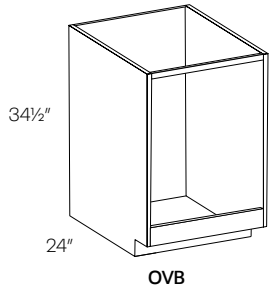
- \* Factory Installed
- \*\*Not ADA compliant



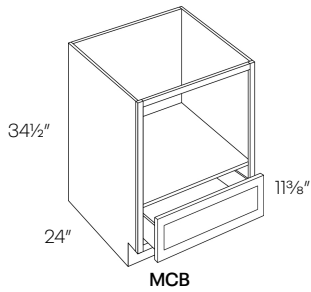
Plus Program

Item Number	Plus Program								
	A	B	C	D	M	N	O	P	
<b>OVB30</b>	805	845	887	1014	966	1014	1065	1118	
<b>MCB24</b>	885	929	975	1115	1062	1115	1170	1229	
<b>MCB24-TRM</b>	282	282	282	356	339	339	339	356	
<b>MCB27</b>	952	999	1049	1199	1142	1199	1259	1322	
<b>MCB27-TRM</b>	310	310	310	391	372	372	372	391	
<b>MCB30*</b>	1011	1061	1114	1273	1213	1273	1337	1404	
<b>MCB30-TRM</b>	338	338	338	426	406	406	406	426	

Oven Base & Microwave Base Cabinet



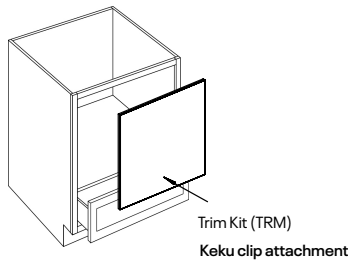
OVB



MCB

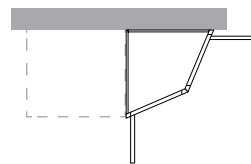
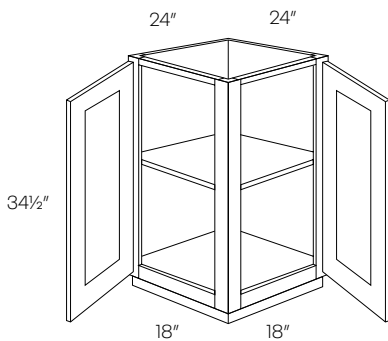
- OV front opening is 27"x27"
- MC front opening is
- \*Does not have finished interior

Cabinet	Front Opening Dimension
MCB24	21" x 16"
MCB27	24" x 16"
MCB30	27" x 16"



Base End Cabinet

<b>BEC24</b>	831	873	916	1047	997	1047	1099	1154
--------------	-----	-----	-----	------	-----	------	------	------

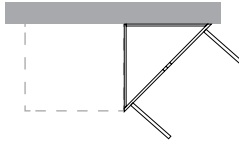
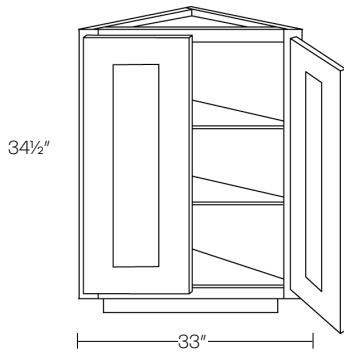


Plus Program

Item Number	A	B	C	D	M	N	O	P
-------------	---	---	---	---	---	---	---	---

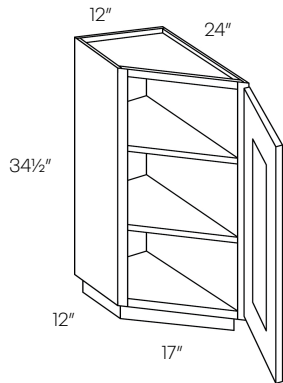
**Straight Base End Cabinet**

BECS24	927	973	1022	1167	1112	1167	1226	1287
--------	-----	-----	------	------	------	------	------	------

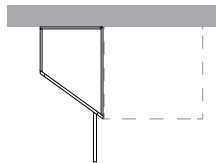


**Angle Base End Cabinet**

BTC2412	667	701	736	841	801	841	883	927
---------	-----	-----	-----	-----	-----	-----	-----	-----

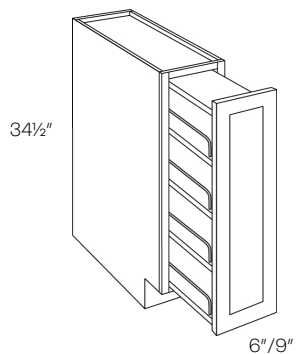


- Reversible
- Loose toe kick
- Hinged on 24"



**Base Spice Cabinet**

BSP6	624	655	688	786	749	786	825	867
BSP9	1069	1123	1179	1347	1283	1347	1415	1485



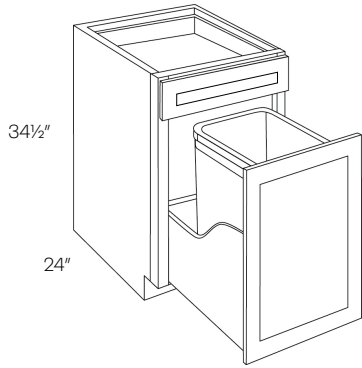
- Undermount soft close glides

Plus Program

Item Number	A	B	C	D	M	N	O	P
-------------	---	---	---	---	---	---	---	---

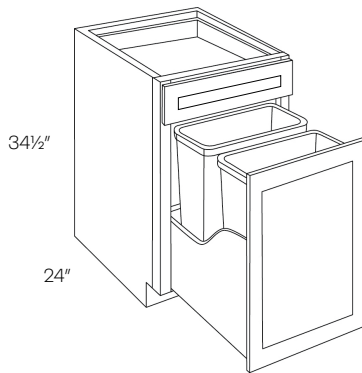
Waste Basket Cabinet

<b>BWBK15 (Single basket)</b>	1350	1417	1488	1701	1620	1701	1786	1875
<b>BWBK18 (Double basket)</b>	1494	1569	1647	1882	1793	1882	1976	2075



BWBK15

- Undermount soft-close hinges and glides
- Can reduce depth up to 21"
- Includes 35qt. waste basket (BK18 includes two waste baskets)
- Full Height Waste Basket includes two 50qt. waste baskets

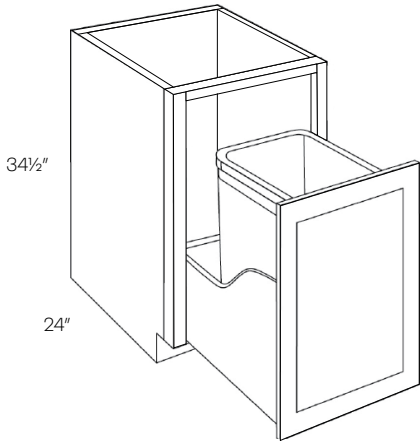


BWBK18

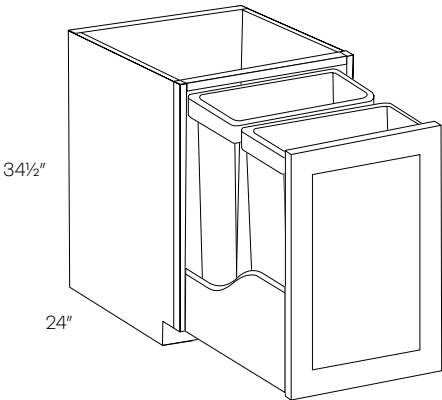
Plus Program

Item Number	Plus Program								
	A	B	C	D	M	N	O	P	
<b>BWBK15-FH (Single basket)</b>	1350	1417	1488	1701	1620	1701	1786	1875	
<b>BWBK18-FH (Double basket)</b>	1494	1569	1647	1882	1793	1882	1976	2075	
<b>BWBK21-FH</b>	1646	1728	1815	2074	1975	2074	2177	2286	

Full Height Waste Basket Cabinet



BWBK15-FH



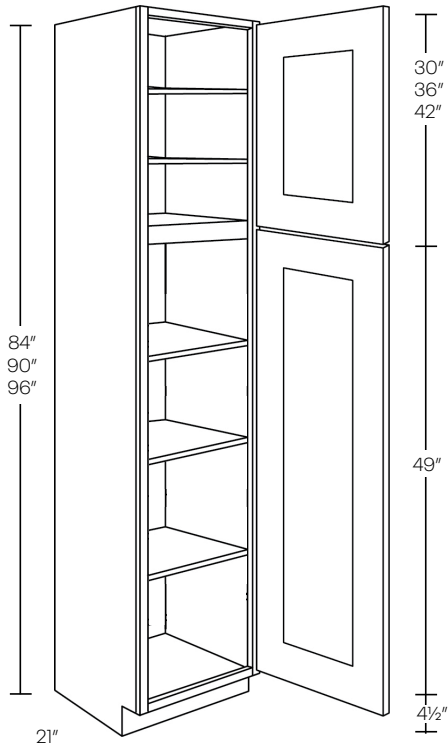
BWBK21-FH/ BWBK18-FH

- Undermount soft-close hinges and glides
- Can reduce depth up to 21"
- Includes 35qt. waste basket (BK18 includes two waste baskets)
- Full Height Waste Basket includes two 50qt. waste baskets

Plus Program

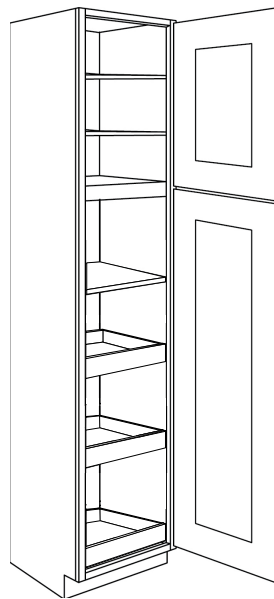
Item Number	A	B	C	D	M	N	O	P
UC1521X84	2247	2359	2477	2831	2696	2831	2973	3121
UC1524X84	2247	2359	2477	2831	2696	2831	2973	3121
UC1524X90	2474	2597	2727	3117	2968	3117	3273	3436
UC1524X96*	2720	2856	2999	3427	3264	3427	3598	3778
UC1821X84	2243	2355	2473	2826	2692	2826	2968	3116
UC1824X84	2243	2355	2473	2826	2692	2826	2968	3116
UC1824X90	2556	2684	2818	3221	3067	3221	3382	3551
UC1824X96*	2918	3064	3217	3676	3501	3676	3860	4053
POS15-3 (factory installed)	999	999	999	999	999	999	999	999
POS15-4 (factory installed)	1332	1332	1332	1332	1332	1332	1332	1332
POS18-3 (factory installed)	1071	1071	1071	1071	1071	1071	1071	1071
POS18-4 (factory installed)	1428	1428	1428	1428	1428	1428	1428	1428

Single Door Utility Cabinet

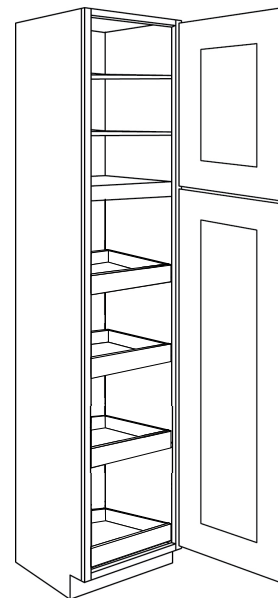


- POS price is addition to cabinet list price
- POS has natural finish
- 4 bottom adjustable shelves
- Fixed shelf between doors

\*84" and 90" have 2 upper shelves  
 \*96" has 3 upper shelves



POS-3

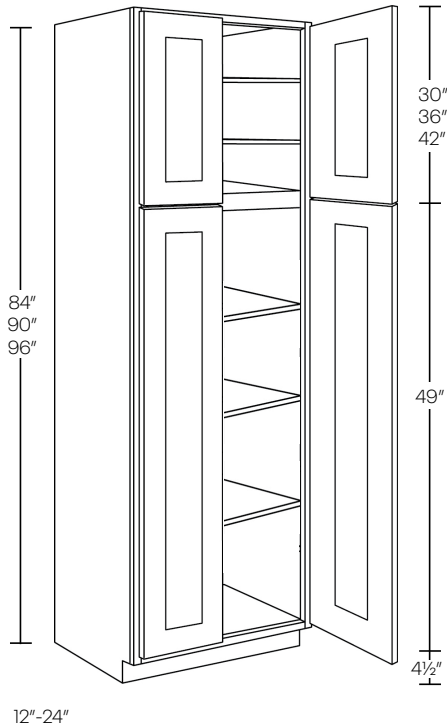


POS-4

Plus Program

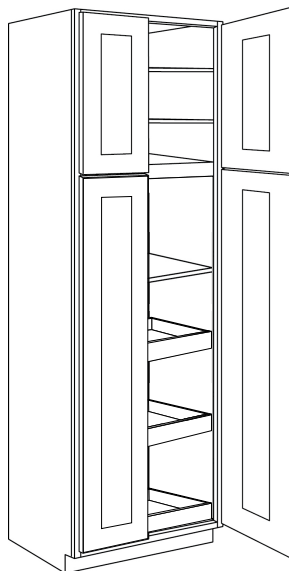
Item Number	A	B	C	D	M	N	O	P
UC2412X84	2440	2562	2690	3074	2928	3074	3228	3389
UC2412X90	2683	2818	2958	3381	3220	3381	3550	3727
UC2412X96*	2952	3100	3254	3719	3542	3719	3905	4100
UC2424X84	2583	2712	2847	3254	3099	3254	3416	3587
UC2424X90	2948	3095	3250	3714	3537	3714	3900	4095
UC2424X96*	3261	3424	3595	4109	3913	4109	4314	4530
UC3024X84	2712	2848	2990	3417	3255	3417	3588	3767
UC3024X90	3096	3251	3413	3901	3715	3901	4096	4301
UC3024X96*	3425	3596	3776	4315	4110	4315	4531	4757
POS24-3 (factory installed)	1215	1215	1215	1215	1215	1215	1215	1215
POS24-4 (factory installed)	1620	1620	1620	1620	1620	1620	1620	1620
POS30-3 (factory installed)	1293	1293	1293	1293	1293	1293	1293	1293
POS30-4 (factory installed)	1724	1724	1724	1724	1724	1724	1724	1724

Double Door Utility Cabinet

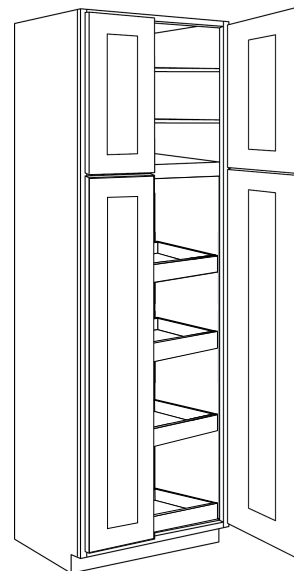


- POS price is addition to cabinet list price
- POS has natural finish
- 4 bottom adjustable shelves
- POS only available in 24" deep

\*84" and 90" have 2 upper shelves  
 \*96" has 3 upper shelves



POS-3

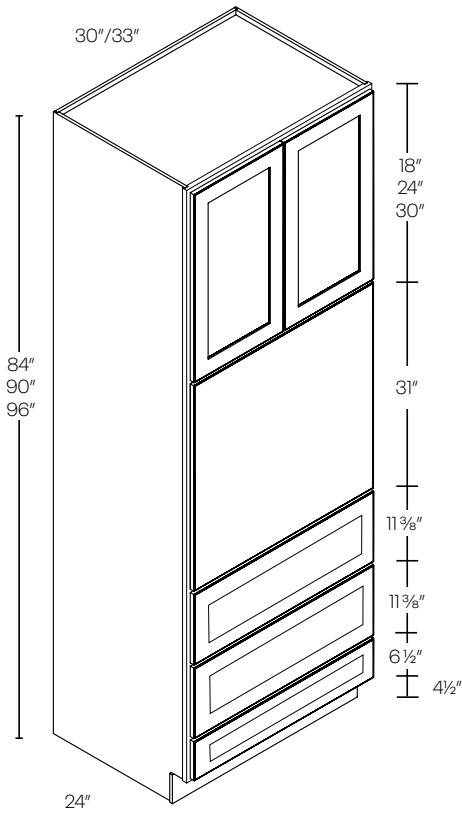


POS-4

Plus Program

Item Number	A	B	C	D	M	N	O	P
<b>OV3084</b>	2438	2560	2688	3072	2926	3072	3226	3387
<b>OV3090</b>	2807	2947	3094	3536	3368	3536	3713	3898
<b>OV3096*</b>	3175	3333	3500	4000	3809	4000	4200	4410
<b>OV3384</b>	2492	2617	2748	3140	2990	3140	3297	3462
<b>OV3390</b>	2863	3006	3156	3607	3435	3607	3787	3997
<b>OV3396**</b>	3227	3388	3558	4066	3872	4066	4269	4483

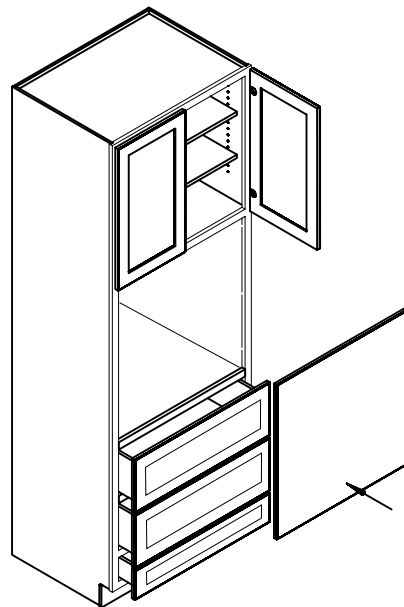
Single Oven Cabinet



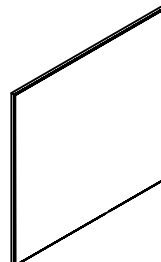
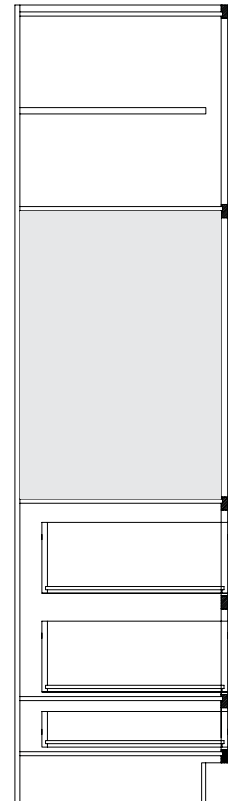
- Trim kit included
- Trimming to be done in field
- 84" and 90" has 1 upper shelves
- 96" has 2 upper shelves
- Remove drawers and floor as needed
- Center panel included

\*Maximum cut out width is 27" wide on 30"  
 \*\*Maximum cut out width is 30" wide on 33"

Assembly



Side

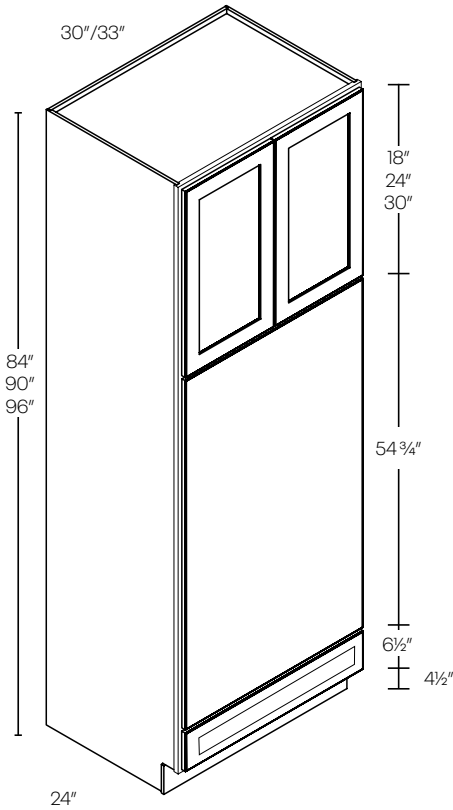


Trim Kit  
 Keku clip attachment  
 \*Clips shipped loose

Plus Program

Item Number	A	B	C	D	M	N	O	P
<b>OVD3084</b>	2351	2468	2592	2962	2821	2962	3110	3265
<b>OVD3090</b>	2715	2851	2993	3421	3258	3421	3592	3771
<b>OVD3096*</b>	3083	3237	3399	3884	3699	3884	4079	4282
<b>OVD3384</b>	2492	2617	2748	3140	2990	3140	3297	3462
<b>OVD3390</b>	2863	3006	3156	3607	3435	3607	3787	3977
<b>OVD3396*</b>	3240	3402	3572	4082	3888	4082	4287	4501

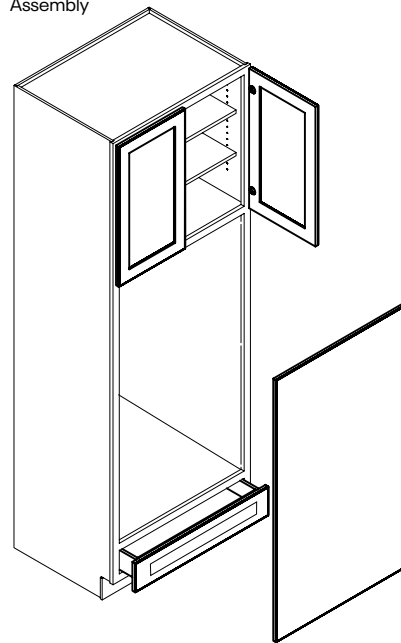
Double Oven Cabinet



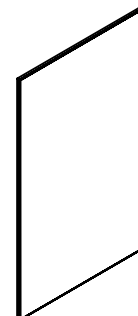
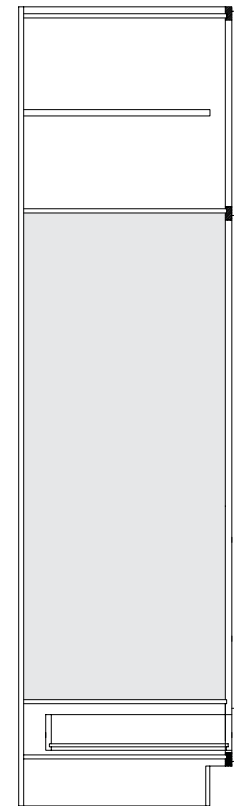
- Trim kit included
- Trimming to be done in field
- Shelves need to be adjusted and secured with screws
- 84" ad 90" has 1 upper shelves
- 96" has 2 upper shelves
- Center panel included

\*Maximum cut out width is 27" wide on 30"  
 \*\*Maximum cut out width is 30" wide on 33"

Assembly



Side

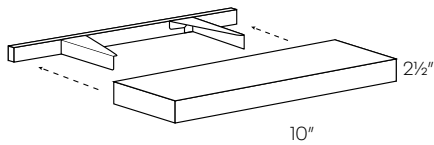


Trim Kit  
 Keku clip attachment  
 \*Clips shipped loose

Plus Program

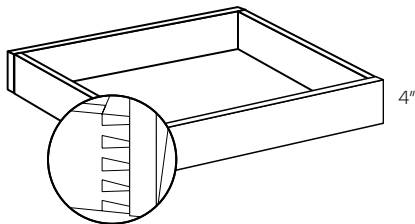
Item Number	Plus Program							
	A	B	C	D	M	N	O	P
<b>F-SHELF-24</b>	483	483	483	609	580	580	580	609
<b>F-SHELF-30</b>	576	576	576	727	692	692	692	727
<b>F-SHELF-36</b>	668	668	668	843	802	802	802	843
<b>F-SHELF-42</b>	760	760	760	958	912	912	912	958

Floating Shelves



• Mounting hardware included

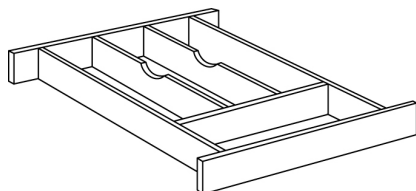
Pull Out Shelf



<b>POS12</b>	198	198	198	198	198	198	198	198
<b>POS15</b>	207	207	207	207	207	207	207	207
<b>POS18</b>	228	228	228	228	228	228	228	228
<b>POS21</b>	240	240	240	240	240	240	240	240
<b>POS24</b>	271	271	271	271	271	271	271	271
<b>POS27</b>	282	282	282	282	282	282	282	282
<b>POS30</b>	294	294	294	294	294	294	294	294
<b>POS33</b>	307	307	307	307	307	307	307	307
<b>POS36</b>	329	329	329	329	329	329	329	329
<b>POS42</b>	389	389	389	389	389	389	389	389

• Natural finish

Wooden Cutlery Divider



<b>WCD-14</b>	202	202	202	202	202	202	202	202
<b>WCD-16</b>	215	215	215	215	215	215	215	215
<b>WCD-25</b>	223	223	223	223	223	223	223	223
<b>WCD-7</b>	242	242	242	242	242	242	242	242

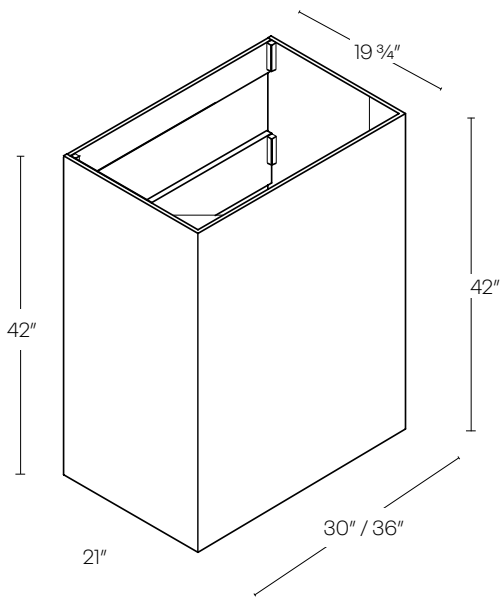
• To be trimmed on site  
\* Need to buy 2 pieces

<b>WCD-14</b>	B33*, B39*, BLB48/51
<b>WCD-16</b>	B15, B18, B21, B36*
<b>WCD-25</b>	B24, B27, DB30
<b>WCD-7</b>	B12, BLB39/42

Plus Program

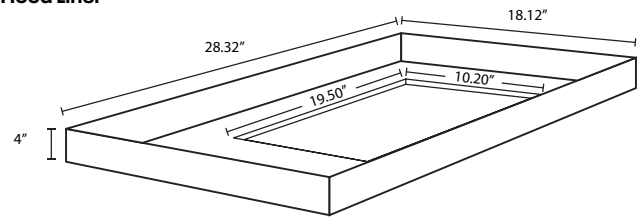
Item Number	Plus Program								
	A	B	C	D	M	N	O	P	
<b>WHM30</b>	3686	3870	4063	4644	4423	4644	4876	5120	
<b>WHM36</b>	4422	4643	4875	5571	5306	5571	5850	6142	

Modern Wood Hood

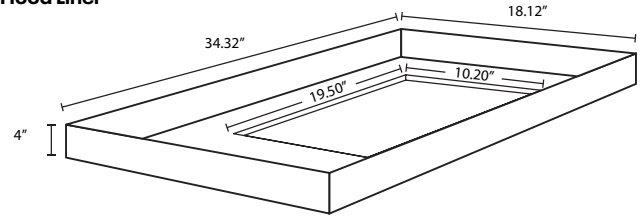


•Metal Liners Included

30" Hood Liner



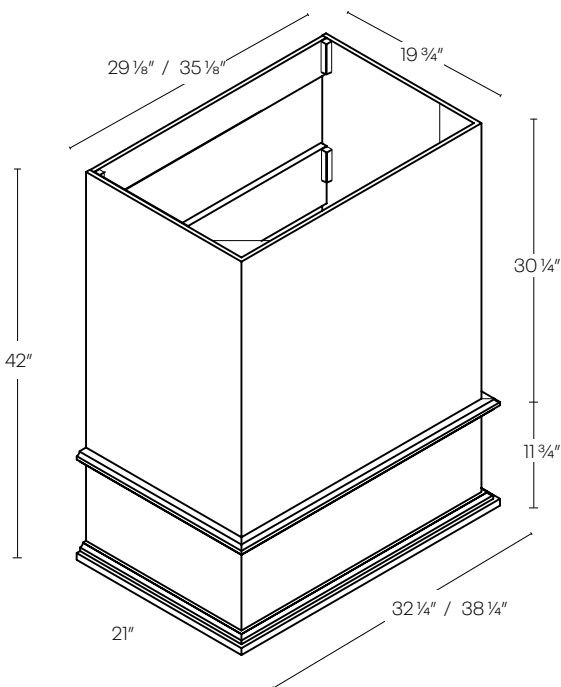
36" Hood Liner



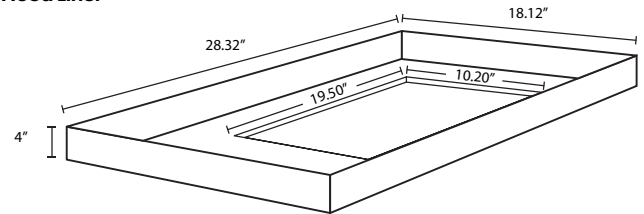
Boxed Wood Hood

<b>WHB30</b>	2948	3095	3250	3714	3537	3714	3900	4095
<b>WHB36</b>	3537	3714	3900	4457	4245	4457	4680	4914

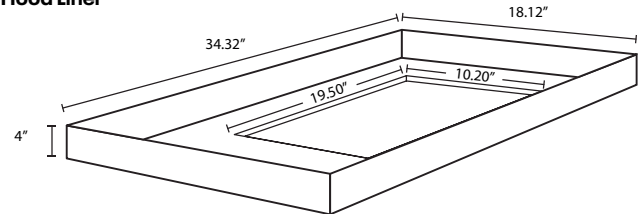
•Metal Liners Included



30" Hood Liner



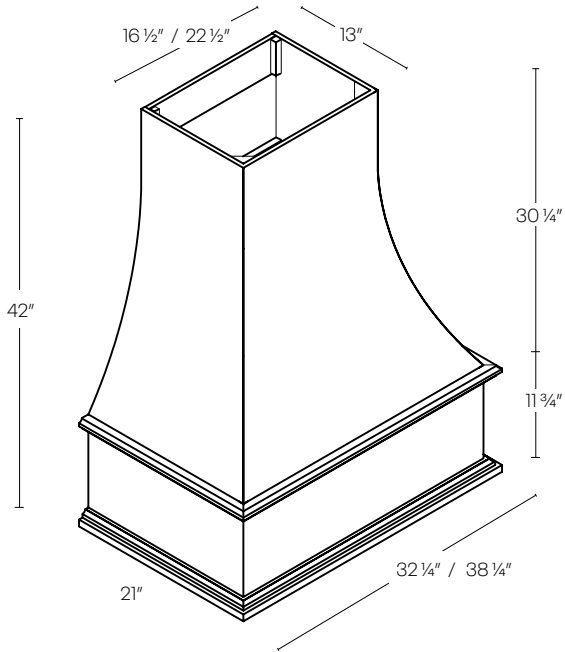
36" Hood Liner



Plus Program

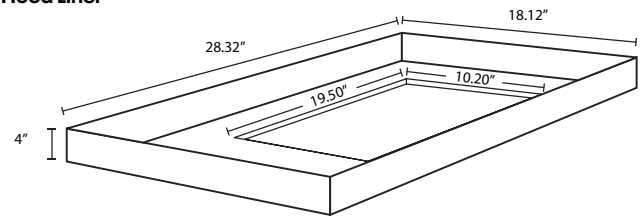
Item Number	Plus Program							
	A	B	C	D	M	N	O	P
<b>WHC30</b>	2948	3095	3250	3714	3537	3714	3900	4095
<b>WHC36</b>	3537	3714	3900	4457	4245	4457	4680	4914

Coved Wood Hood

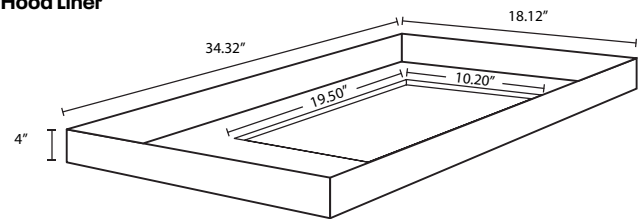


•Metal Liners Included

30" Hood Liner



36" Hood Liner

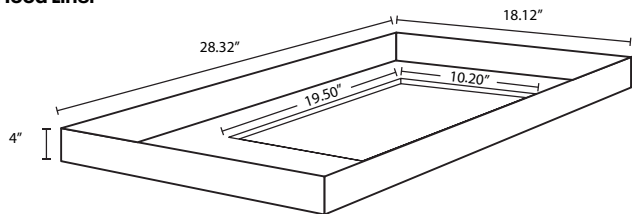


Sloped Wood Hood

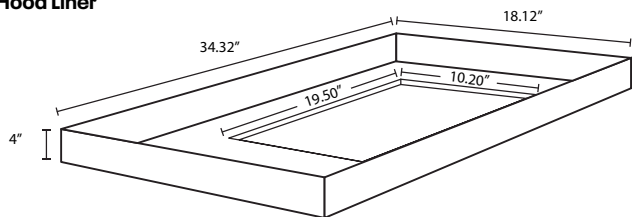
<b>WHS30</b>	2948	<b>3095</b>	3250	3714	3537	3714	3900	4095
<b>WHS36</b>	<b>3537</b>	3714	3900	4457	4245	4457	4680	4914

•Metal Liners Included

30" Hood Liner



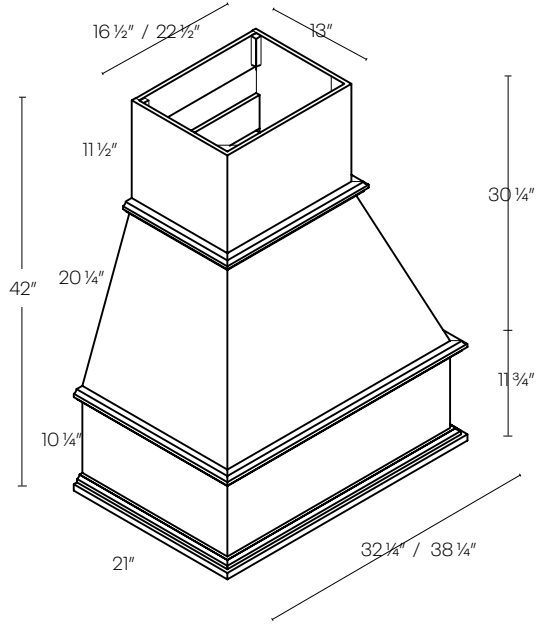
36" Hood Liner



Plus Program

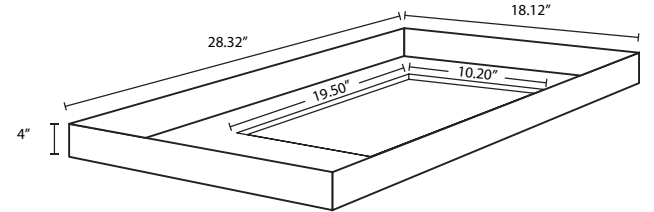
Item Number	Plus Program								
	A	B	C	D	M	N	O	P	
<b>WHT30</b>	3686	3870	4063	4644	4423	4644	4876	5120	
<b>WHT36</b>	4422	4643	4875	5571	5306	5571	5850	6142	

Traditional Wood Hood

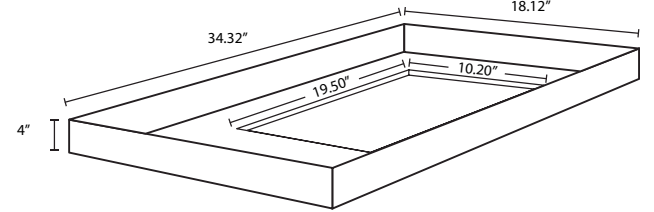


•Metal Liners Included

30" Hood Liner



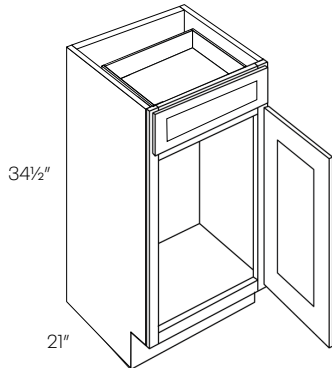
36" Hood Liner



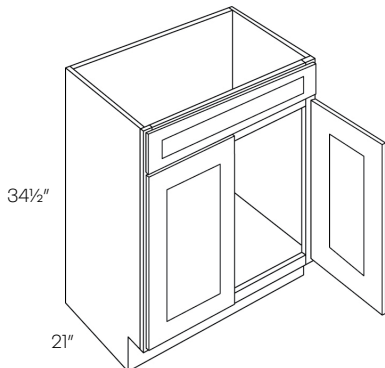
Plus Program

Item Number	Plus Program							
	A	B	C	D	M	N	O	P
<b>VB12</b>	645	677	711	813	774	813	853	896
<b>VB15</b>	676	710	746	852	812	852	895	940
<b>VB18</b>	708	743	780	892	849	892	936	983

Single Door Vanity Base Cabinet

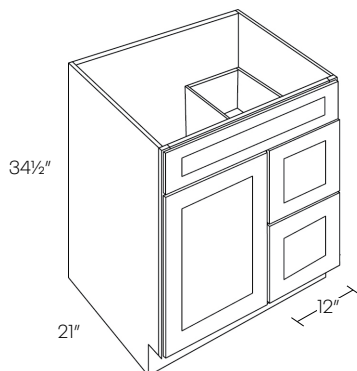


Double Door Vanity Sink Base Cabinet



<b>V24</b>	631	662	695	794	757	794	834	876
<b>V27</b>	696	731	767	877	835	877	921	967
<b>V30</b>	785	824	866	989	942	989	1039	1091
<b>V33</b>	1215	1276	1339	1531	1458	1531	1607	1687
<b>V36</b>	949	996	1046	1196	1139	1196	1255	1318
<b>V42</b>	1101	1156	1214	1387	1321	1387	1456	1529

1 Door 2 Drawer Vanity Sink Base Cabinet



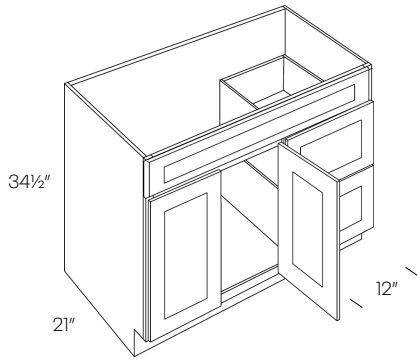
<b>V30DL</b>	1304	1369	1438	1643	1565	1643	1725	1811
<b>V30DR</b>	1304	1369	1438	1643	1565	1643	1725	1811

• Right Drawer Shown

Plus Program

Item Number	Plus Program								
	A	B	C	D	M	N	O	P	
<b>V36DL</b>	1404	1474	1547	1768	1684	1768	1857	1949	
<b>V36DR</b>	1404	1474	1547	1768	1684	1768	1857	1949	
<b>V42DL</b>	1424	1496	1570	1795	1709	1795	1884	1979	
<b>V42DR</b>	1424	1496	1570	1795	1709	1795	1884	1979	

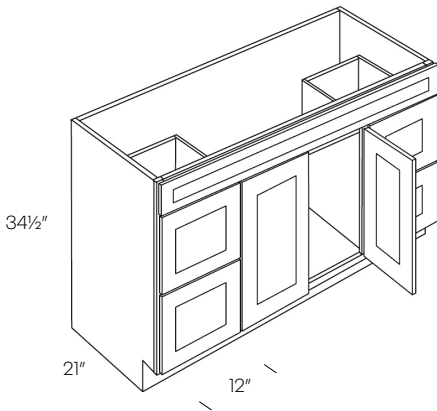
2 Door 2 Drawer Vanity Sink Base Cabinet



• Right Drawer Shown

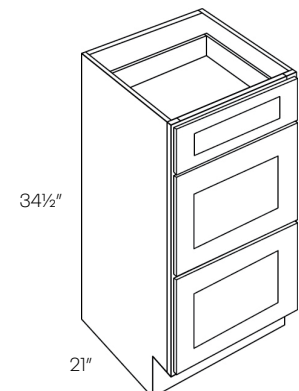
Double Door 4 Drawer Vanity Sink Base Cabinet

<b>V48DD</b>	1628	1709	1794	2051	1953	2051	2153	2261
--------------	------	------	------	------	------	------	------	------



Vanity Drawer Base Cabinet

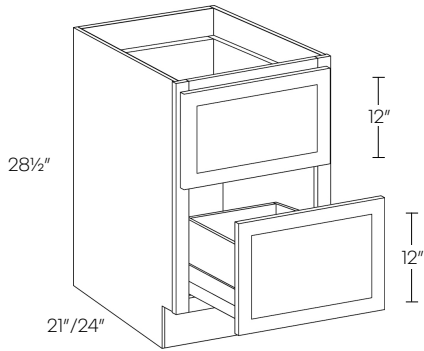
<b>VDB12</b>	1031	1083	1137	1300	1238	1300	1364	1433
<b>VDB15</b>	1093	1148	1205	1377	1312	1377	1446	1518
<b>VDB18</b>	1119	1175	1234	1410	1343	1410	1481	1555
<b>VDB21</b>	1139	1196	1256	1435	1367	1435	1507	1582
<b>VDB24</b>	1174	1233	1295	1479	1409	1479	1553	1631



Plus Program

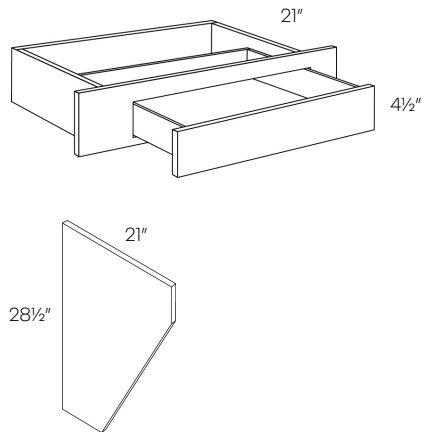
Item Number	Plus Program							
	A	B	C	D	M	N	O	P
<b>DDC18x21</b>	1144	1201	1261	1441	1373	1441	1514	1589
<b>DDC18x24</b>	1269	1332	1399	1598	1522	1598	1678	1762

Desk Cabinet



• Does not hold files

Desk Drawer



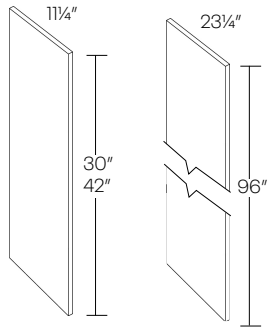
<b>DD30</b>	471	494	519	593	565	593	623	654
<b>DS</b>	229	229	229	289	275	275	275	289

- 2 1/2" trimmable sides
- Drawer front is 22 1/2" wide
- Slab drawer front
- DS is 21"

Plus Program

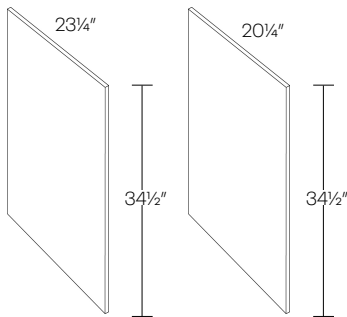
Item Number	Plus Program								
	A	B	C	D	M	N	O	P	
<b>FS30</b>	121	121	121	153	146	146	146	153	
<b>FS42</b>	168	168	168	212	202	202	202	212	
<b>FS9624</b>	319	319	319	402	383	383	383	402	
<b>FSB</b>	157	157	157	198	189	189	189	198	
<b>FSV</b>	157	157	157	198	189	189	189	198	

Finished Skin



FS30/FS42

FS9624



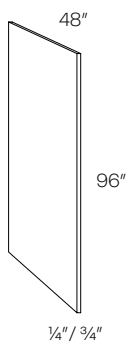
FSB

FSV

• 1/4" Thick

Plywood Panel

<b>PLY4X8</b>	462	462	462	583	555	555	555	583
<b>PLY4X8X.75</b>	1294	1294	1294	1631	1553	1553	1553	1631

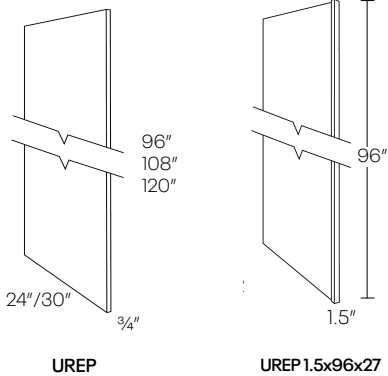
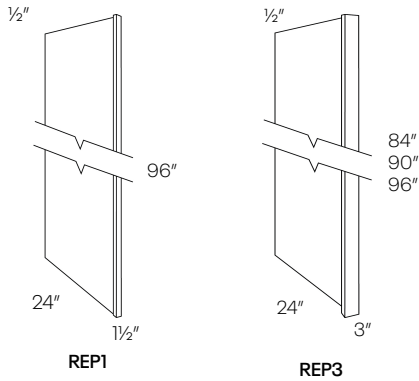


- Ply4x8 is finished on one side
- Ply4x8..75 is finished on two sides
- PLY4x8x.75 finished on one long edge

Plus Program

Item Number	Plus Program							
	A	B	C	D	M	N	O	P
<b>REP196</b>	583	583	583	735	700	700	700	735
<b>REP384</b>	529	529	529	667	635	635	635	667
<b>REP390</b>	556	556	556	701	668	668	668	701
<b>REP396</b>	583	583	583	735	700	700	700	735
<b>UREP24</b>	407	407	407	513	489	489	489	513
<b>UREP30</b>	540	540	540	681	648	648	648	681
<b>UREP24-9</b>	457	457	457	576	549	549	549	576
<b>UREP30-9</b>	608	608	608	767	730	730	730	767
<b>UREP24-10</b>	515	515	515	649	618	618	618	649
<b>UREP30-10</b>	684	684	684	862	821	821	821	862
<b>UREP1.5x96x27</b>	608	608	608	767	730	730	730	767
<b>UREP1.5x96x30</b>	675	675	675	851	810	810	810	851

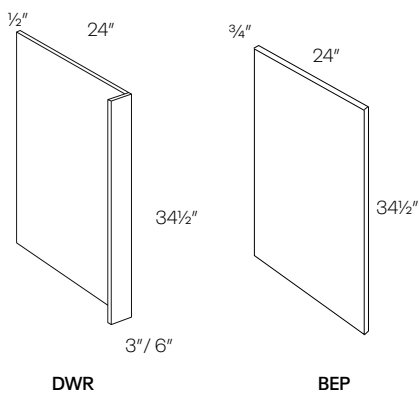
Refrigerator End Panel



• Finished on both sides

Dishwasher Return Panel

<b>DWR1</b>	266	266	266	336	320	320	320	336
<b>DWR3</b>	306	306	306	386	368	368	368	386
<b>DWR6</b>	340	340	340	429	408	408	408	429
<b>BEP</b>	268	268	268	338	322	322	322	338



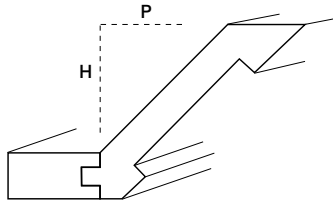
• Finished on both sides

Plus Program

Item Number	Plus Program								
	A	B	C	D	M	N	O	P	
<b>MFLOCR</b>	447	447	447	564	537	537	537	564	

**Full Overlay Crown Moldings**

• 8 Feet long

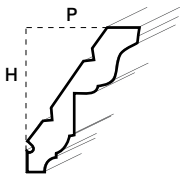


**MFLOCR**  
Height: 3/2"  
Projection: 2/2"

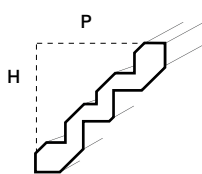
**Royal Crown Molding**

<b>RCRM</b>	447	447	447	N/A	537	537	537	N/A
<b>RCRMS</b>	447	447	447	N/A	537	537	537	N/A
<b>RCRMC</b>	447	447	447	564	537	537	537	564
<b>RCRMR</b>	447	447	447	564	537	537	537	564

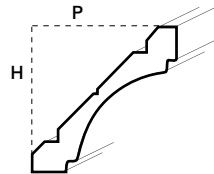
• 8 Feet long



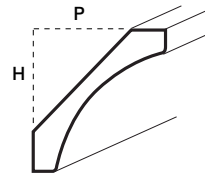
**RCRM**  
Height: 3/2"  
Projection: 2/2"



**STEP RCRMS**  
Height: 3/8"  
Projection: 3/8"



**COVE RCRMC**  
Height: 3/8"  
Projection: 3/8"

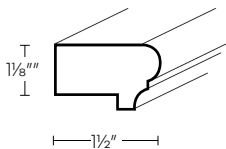


**ROUND RCRMR**  
Height: 3/4"  
Projection: 3/4"

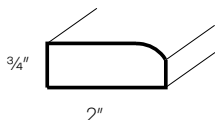
**Light Rail Molding**

<b>LTRM1</b>	233	233	233	294	280	280	280	294
<b>LTRM2</b>	233	233	233	294	280	280	280	294
<b>LTRM3</b>	310	310	310	391	372	372	372	391
<b>LTRM</b>	310	310	310	N/A	372	372	372	N/A
<b>LTRMS</b>	310	310	310	N/A	372	372	372	N/A

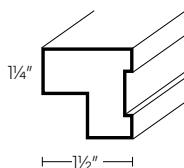
• 8 Feet long



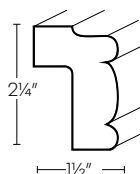
**LTRM1**



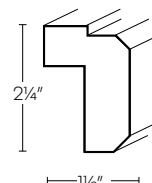
**LTRM2**



**LTRM3**



**LTRM**



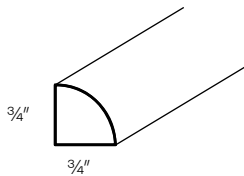
**LTRMS**

Plus Program

Item Number	A	B	C	D	M	N	O	P
<b>SHM</b>	134	134	134	169	161	161	161	169

Shoe Molding

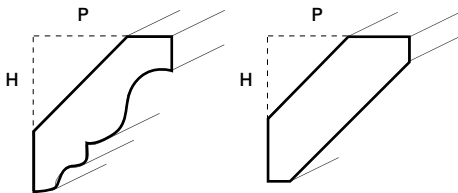
• 8 Feet long



Crown Moldings

<b>CRM</b>	159	159	159	N/A	191	191	191	N/A
<b>CRMS</b>	159	159	159	N/A	191	191	191	N/A

• 8 Feet long



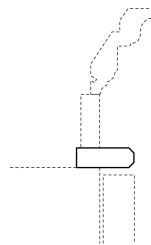
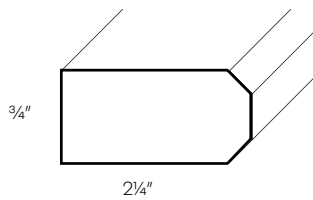
**CRM**  
Height: 2"  
Projection: 2"

**CRMS**  
Height: 2"  
Projection: 2"

Trim Molding

<b>TBMS</b>	147	147	147	186	177	177	177	186
-------------	-----	-----	-----	-----	-----	-----	-----	-----

• 8 Feet long

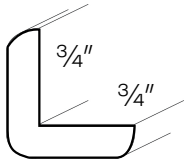


\*Suggested use

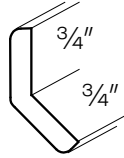
Plus Program

Item Number	Plus Program								
	A	B	C	D	M	N	O	P	
<b>OCM</b>	121	121	121	153	146	146	146	153	
<b>OCM135</b>	121	121	121	153	146	146	146	153	
<b>ICM</b>	121	121	121	153	146	146	146	153	

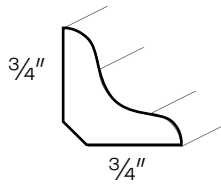
Corner Molding



OCM



OCM135

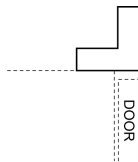
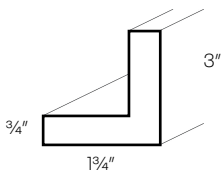


ICM

Contemporary Crown Molding

CCM	447	447	447	564	537	537	537	N/A
-----	-----	-----	-----	-----	-----	-----	-----	-----

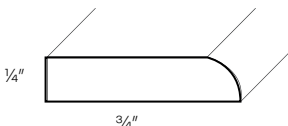
- 8 Feet long
- Outer ends are finished
- Not available in Alvic



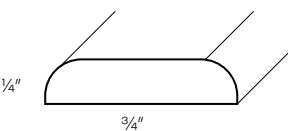
Suggested Use

Scribe / Batten Molding

SCM	98	98	98	124	118	118	118	124
<b>BAT</b>	98	98	98	124	118	118	118	124



SCM



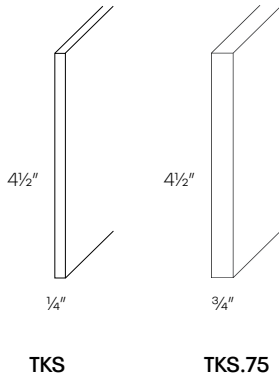
BAT

- 8 Feet long

Plus Program

Item Number	Plus Program								
	A	B	C	D	M	N	O	P	
<b>Toe Kick</b>									
<b>TKS</b>	101	101	101	128	122	122	122	128	
<b>TKS.75*</b>	248	248	248	313	298	298	298	313	

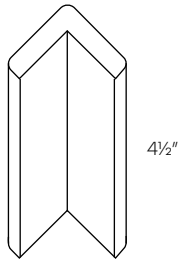
- 8 Feet long
- \* Finished and edgebanded (TKS.75 only)



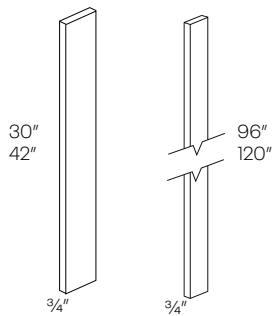
Toe Kick End Cap

Item Number	A	B	C	D	M	N	O	P
<b>TKS-CAP</b>	57	57	57	72	69	69	69	72

- Top and bottom sides are finished



Filler



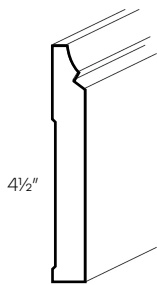
<b>F3120</b>	237	237	237	299	285	285	285	299
<b>F6120</b>	366	366	366	462	440	440	440	462
<b>F330</b>	59	59	59	75	71	71	71	75
<b>F630</b>	101	101	101	128	122	122	122	128
<b>F342</b>	77	77	77	98	93	93	93	98
<b>F642</b>	135	135	135	171	162	162	162	171
<b>F396</b>	180	180	180	227	216	216	216	227
<b>F696</b>	299	299	299	377	359	359	359	377

- Fillers finished on all 4 sides

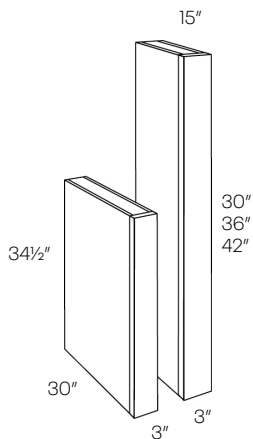
Base Molding

BSMS	319	319	319	402	383	383	383	402
------	-----	-----	-----	-----	-----	-----	-----	-----

• 8 Feet long



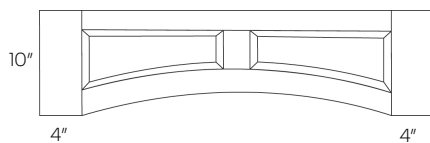
Column



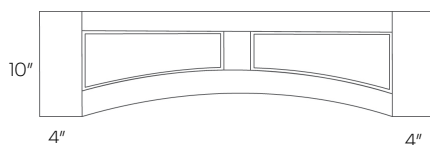
<b>CLM-B30</b> (34 1/2"H X 30"D)	508	508	508	641	610	610	610	641
<b>CLM-30X15</b> (30"H X 15"D)	257	257	257	324	309	309	309	324
<b>CLM-36X15</b> (36"H X 15"D)	287	287	287	362	345	345	345	362
<b>CLM-42X15</b> (42"H X 15"D)	319	319	319	402	383	383	383	402

- Trimmable
- Finished 3 sides

Arched Valance



VALPR - Raised panel



VALP - Flat panel

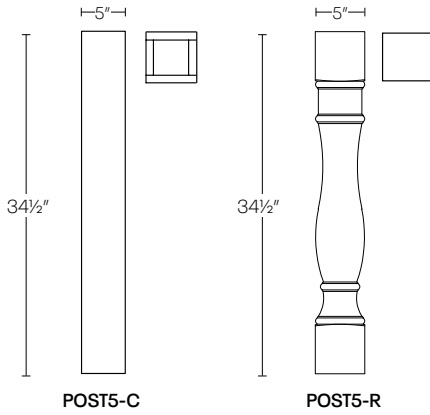
<b>VALP-36</b>	268	268	268	N/A	322	322	322	N/A
<b>VALP-42</b>	297	297	297	N/A	357	357	357	N/A
<b>VALP-48</b>	338	338	338	N/A	406	406	406	N/A
<b>VALP-60</b>	398	398	398	N/A	478	478	478	N/A
<b>VALPR-36</b>	268	268	268	N/A	322	322	322	N/A
<b>VALPR-42</b>	297	297	297	N/A	357	357	357	N/A
<b>VALPR-48</b>	338	338	338	N/A	406	406	406	N/A
<b>VALPR-60</b>	398	398	398	N/A	478	478	478	N/A

- 2" Trimmable on both sides

Plus Program

Item Number	Plus Program							
	A	B	C	D	M	N	O	P
<b>POST5-C</b>	998	998	998	1258	1198	1198	1198	1258
<b>POST5-R</b>	1116	1116	1116	N/A	1340	1340	1340	N/A

Large Post

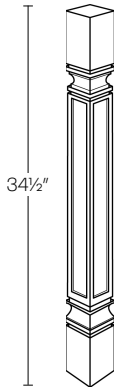


• 5" X 5"

Post

POST-S	1241	1241	1241	1564	1490	1490	1490	1564
--------	------	------	------	------	------	------	------	------

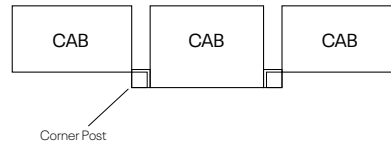
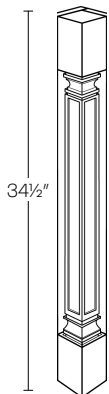
• 3" X 3"



Corner Post

POST-S-CR	441	441	441	556	530	530	530	556
-----------	-----	-----	-----	-----	-----	-----	-----	-----

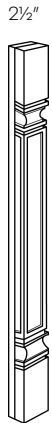
• 3" X 3"



Plus Program

Item Number	Plus Program								
	A	B	C	D	M	N	O	P	
<b>SPIN-S-30</b>	229	229	229	N/A	275	275	275	N/A	
<b>SPIN-S-36</b>	292	292	292	N/A	351	351	351	N/A	
<b>SPIN-S-42</b>	338	338	338	N/A	406	406	406	N/A	

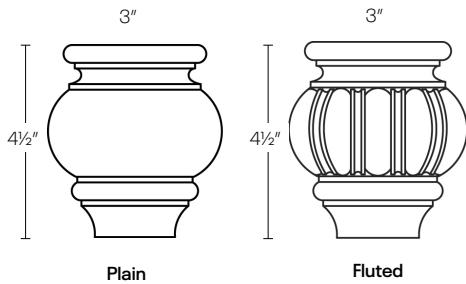
Spindle



• To be applied on top of filler (not included)

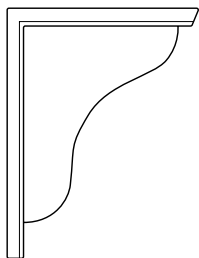
Bun Feet

<b>BUN-P</b>	125	125	125	N/A	150	150	150	N/A
<b>BUN-F</b>	131	131	131	N/A	158	158	158	N/A



Corbel

<b>CBS6</b>	113	113	113	143	136	136	136	143
<b>CBS10</b>	157	157	157	198	189	189	189	198

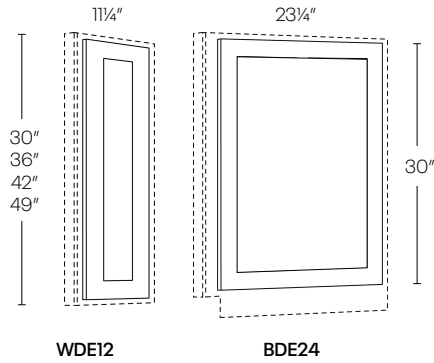


	W	D	H
CBS6	3"	3 1/2"	6 1/2"
CBS10	3"	7 1/2"	10 1/2"

Plus Program

Item Number	Plus Program							
	A	B	C	D	M	N	O	P
<b>WDE1230</b>	175	185	197	249	237	237	237	249
<b>WDE1236</b>	249	264	279	352	335	335	335	352
<b>WDE1242</b>	292	310	329	415	395	395	395	415
<b>WDE1250</b>	361	383	405	511	486	486	486	511
<b>BDE24</b>	420	446	471	595	566	566	566	595

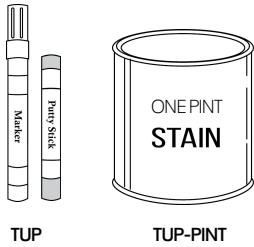
Decorative End



• Use finished skin

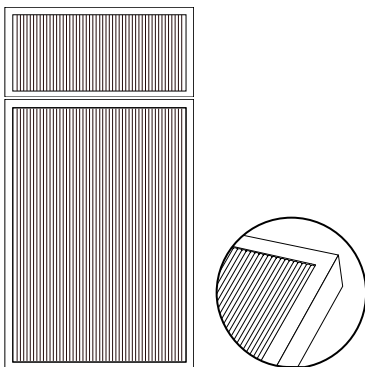
Touch Up Kit

<b>TUP</b>	113	113	113	143	136	136	136	143
<b>TUP-PINT</b>	133	133	133	168	160	160	160	168



• TUP-PINT is not available in the Stone finish

Reeded Door



<b>CT-CAB-DR-INS-REED</b>	Cabinet Door Only	60%
<b>CT-CAB-DF-INS-REED</b>	Cabinet Drawer Front Only	15%
<b>CT-CAB-INS-REED</b>	Full Cabinet	60%
<b>CT-DR-INS-REED</b>	Custom Door	100%
<b>CT-DF-INS-REED</b>	Drawer Front Only	100%
<b>CT-DR-DF-INS-REED</b>	Door & Drawer Front Only	100%

• Only available on Newport  
 \* Percent upcharge of cabinet price

Plus Program

Item Number	A	B	C	D	M	N	O	P
CAB-CUS-BASE	*	*	*	*	*	*	*	249
CAB-CUS-WALL	*	*	*	*	*	*	*	352
CAB-CUS-TALL	*	*	*	*	*	*	*	415

Custom Cabinet

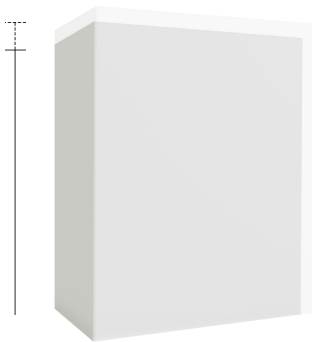


- \* Please call for pricing
- \* Customer must provide drawings & dimensions (Width x Height) for custom price quote and lead time
- \* Can not be combined with existing quote
- \* Custom Decorative Panels will have an extended lead time
- \* Grain is always vertical

\*\* Cabinets are made custom, please provide accurate drawings with your order

Custom Hood

CAB-CUS-HOOD	*	*	*	*	*	*	*	249
--------------	---	---	---	---	---	---	---	-----



- \* Please call for pricing
- \* Customer must provide drawings & dimensions (Width x Height) for custom price quote and lead time
- \* Can not be combined with existing quote
- \* Custom Decorative Panels will have an extended lead time
- \* Grain is always vertical
- \* Does not have metal liner

\*\* Hoods are made custom, please provide accurate drawings with your order

Custom Door / Panel

DR-CUS (Door Profile)	35	35	35	35	35	35	35	35
PL-CUS (Panel - 3/4")*	35	35	35	35	35	35	35	35



- \*PL-CUS does not have a profile
- \* Price per square foot
- \* Customer must provide drawings & dimensions (Width x Height) for custom price quote and lead time
- \* Can not be combined with existing quote
- \* Custom Decorative Panels will have an extended lead time
- \* Grain is always vertical

\*\* Doors are made custom, please provide accurate drawings with your order

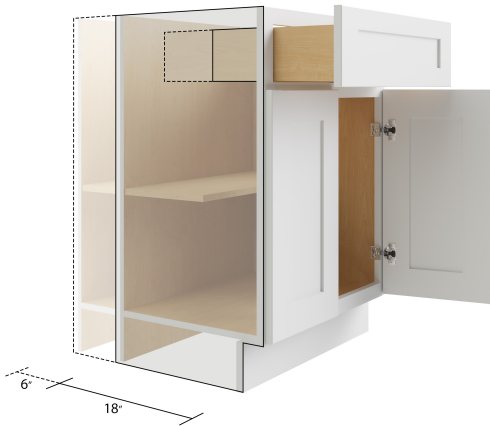
	Panel	Door
Minimum	6" x 6"	6" x 6"
Maximum	48" x 96"	48" x 96"



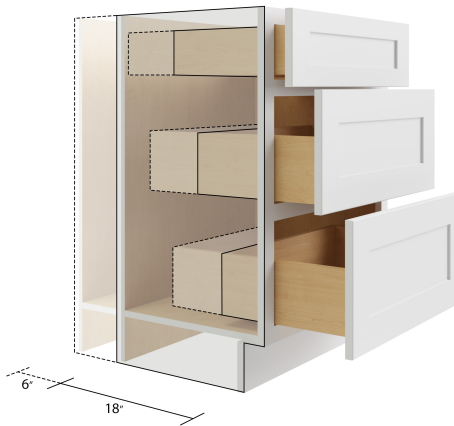
# Modifications & Upgrades



Wall Cabinet



Base Cabinet



Drawer Base Cabinet  
\*Dovetail not in back



Tall Cabinet

Cut Down Depth	Description	List Price
CT-CUT-DEEP-B*	Base cabinet, cut down depth	400
CT-CUT-DEEP-DB*	Drawer base cabinet, cut down depth	500
CT-CUT-DEEP-T*	Tall cabinet, cut down depth	500
CT-CUT-DEEP-W**	Wall cabinet, cut down depth	400

\*Can be cut down to 9", 12", 15", 18" & 21" | \*\*Can be cut down to 6", 9" & 11"  
\*All 9" Base Cabinets will have a dummy drawer front

Top View



Base Cabinet

Top View



Top View



Drawer Base Cabinet

Top View



Top View



Tall Cabinet

Top View

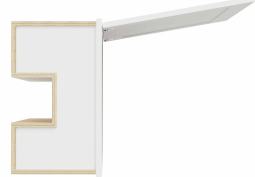


Top View



Wall Cabinet

Top View



\* Must provide accurate drawing with your order

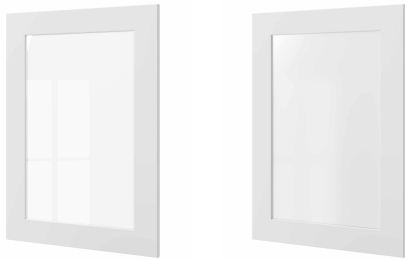
Chase Cuts	Description	List Price
CT-CHASE-B	Base cabinet, chase cut	700
CT-CHASE-DB	Drawer base cabinet, chase cut	900
CT-CHASE-T	Tall cabinet, chase cut	900
CT-CHASE-W	Wall cabinet, chase cut	600

•Non-stock cabinets, parts including doors and drawers, custom modifications, wood hoods and countertops (post form and self-edge) are not returnable.

•Must provide accurate drawings with your order

Item	Description	List Price
<b>CT-DCG</b>	Door cut for glass	205
<b>CT-DCG-GLI</b>	Door cut and insert glass	381
<b>CT-DCG-GLI-F</b>	Door cut and insert frosted glass	381

**Door cut for glass**



\*Per door cost shown above

**Glass Shelves**



<b>PRT-GLS-SHELF-12</b>	(3) Glass Shelves	259
<b>PRT-GLS-SHELF-15</b>	(3) Glass Shelves	261
<b>PRT-GLS-SHELF-18</b>	(3) Glass Shelves	273
<b>PRT-GLS-SHELF-24</b>	(3) Glass Shelves	317
<b>PRT-GLS-SHELF-30</b>	(3) Glass Shelves	349
<b>PRT-GLS-SHELF-36</b>	(3) Glass Shelves	421

• Shelves are 3/8" thick

**Extend Wall Cabinet**

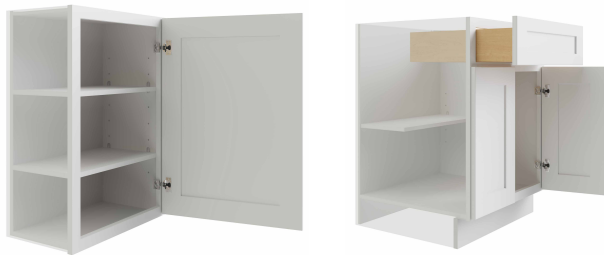
<b>CT-EXD-W</b>	Extended depth wall	806
-----------------	---------------------	-----

• Can only be extended to 15", 18", 21" & 24"



Item	Description	List Price
------	-------------	------------

**Finished Interior**



<b>CT-FINISH-B</b>	Finished Interior - Base Cabinet	450
<b>CT-FINISH-W</b>	Finished Interior - Wall Cabinet	450
<b>CT-FINISH-T</b>	Finished Interior - Tall Cabinet	800

- Drawers will not be finished

**Concord Full Depth Shelf**



<b>CT-SHELF-FD-B9</b>	Full Depth Shelf	7
<b>CT-SHELF-FD-B12</b>	Full Depth Shelf	9
<b>CT-SHELF-FD-B15</b>	Full Depth Shelf	11
<b>CT-SHELF-FD-B18</b>	Full Depth Shelf	14
<b>CT-SHELF-FD-B21</b>	Full Depth Shelf	15
<b>CT-SHELF-FD-B24</b>	Full Depth Shelf	17
<b>CT-SHELF-FD-B27</b>	Full Depth Shelf	20
<b>CT-SHELF-FD-B30</b>	Full Depth Shelf	23
<b>CT-SHELF-FD-B33</b>	Full Depth Shelf	27
<b>CT-SHELF-FD-B36</b>	Full Depth Shelf	30
<b>CT-SHELF-FD-B39</b>	Full Depth Shelf	34
<b>CT-SHELF-FD-B42</b>	Full Depth Shelf	37
<b>CT-SHELF-FD-B48</b>	Full Depth Shelf	40

**Reduced Top Drawer**



<b>CT-TD-REDUCE</b>	Reduce Depth of Top Drawer	120
---------------------	----------------------------	-----

- Can be cut down to 12", 15", 18" & 21"
- Back of drawer will not be dovetail

Item	Description	List Price
<b>CT-TK-CUT</b>	Base cabinet, cut off toe kick	116
<b>CT-TK-CUT-SHP</b>	Base cabinet, cut off toe kick and ship	200
<b>CT-TK-FLUSH</b>	Flush Toe Kick	600
<b>CT-TK-REDUCE</b>	Recessed Toe Kick*	400

**Toe Kick**



**CT-TK-CUT-SHP**



**CT-TK-FLUSH**



**CT-TK-CUT**



**CT-TK-REDUCE**

**Base Cabinet to Sink Base**

<b>CHARGE-SINK BASE</b>	Base to Sink Base	0
-------------------------	-------------------	---

• Only available on B12, B15 & B18



Item	Description	List Price
<b>Remove bottom from Cabinet</b>	<b>CT-CUT-FLOOR</b> Remove bottom of cabinet	600



**Broom Divider**

<b>CT-BROOM-DIVIDER</b>	Broom Divider	800
-------------------------	---------------	-----

• Left or Right



# Rev-a-shelf Upgrades

Maple Bottom Mount Waste Pullout



Item	Fits Cabinet	Price
<b>35 Quart</b>		
4WCSC-1535DM-1 (1 Can)	B15	1380
4WCSC-1835DM-2 (2 Cans)	B18	1459
<b>50 Quart</b>		
4WCSC-1550DM-1 (1 Can)	B15-FH	1388
4WCSC-1850DM-2 (2 Cans)	B18-FH	1534
4WCSC-2150DM-2 (2 Cans)	B21-FH	1634

- Price includes installation in cabinet
- Soft-close



Girasolo Wood Shelves for Blind Base Cabinets



<b>1 Shelf</b>		
4WLS871-12-L	BLB42/45R	1330
4WLS871-12-R	BLB42/45L	1330
4WLS871-15-L	BLB45/48R	1357
4WLS871-15-R	BLB45/48L	1357
<b>2 Shelves</b>		
4WLS87-12-L	BLB42/45R	2346
4WLS87-12-R	BLB42/45L	2346
4WLS87-15-L	BLB45/48R	2405
4WLS87-15-R	BLB45/48L	2405

- Price includes installation in cabinet
- Soft-close



Single Shelf

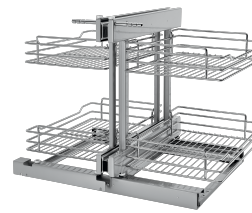
Two-tier

Elite Blind Corner Optimizer

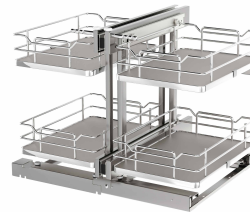


Item	Fits Cabinet	Price
<b>Wire Bottom</b>		
5PSP-15SC-CR-6	BLB45/48	2419
<b>Solid Bottom</b>		
53PSPE-15SC-GR	BLB45/48	3371
53PSPE-15SC-MP	BLB45/48	3371

- Price includes installation in cabinet
- Soft-close



Wire Bottom



Solid Bottom (Metal)



Solid Bottom (Maple)

Heavy Duty Mixer Lift



ML-MPHDSCCR-18	B18-FH	1594
----------------	--------	------

- Price includes installation in cabinet



Base Cabinet Pullout w/ Utensil Bins



Item	Fits Cabinet	Price
448UT-BCSC-5C	B9-FH	1234
448UT-BCSC-8C	B12-FH	1484
448UT-BCSC-11C	B15-FH	2003

- Price includes installation in cabinet
- BLUM, soft-close glides



BCSC-11C

BLUM® Soft-Close Base Cabinet Pullout



448-BCSC-5C	B9-FH	1091
448-BCSC-8C	B12-FH	1201
448-BCSC-11C	B15-FH	1643

- Price includes installation in cabinet



Base Cabinet Pullout w/ Knife Block



Item	Fits Cabinet	Price
448KB-BCSC-5C	B9-FH	1774
448KB-BCSC-8C	B12-FH	2000
448KB-BCSC-11C	B15-FH	2459

- Price includes installation in cabinet
- BLUM, soft-close glides



BCSC-11C

Paper Towel Pullout



448PTH-BCSC-8C	B12-FH	1449
----------------	--------	------

- Price includes installation in cabinet
- Soft-close glides



Base Cabinet Pullout w/ Tray Divider/Foil Wrap Holder



Item	Fits Cabinet	Price
447-BCSC-5C-L	B9-FH	1232
447-BCSC-5C-R	B9-FH	1279
447-BCSC-8C-L	B12-FH	1370
447-BCSC-8C-R	B12-FH	1493

- Price includes installation in cabinet
- Soft-close glides

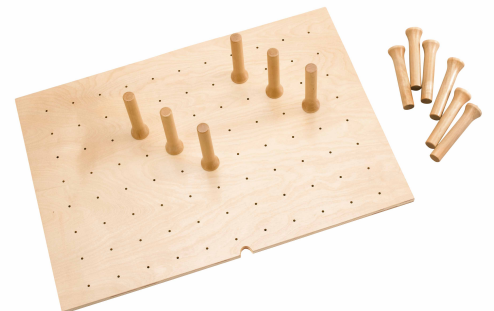


Drawer Peg Systems



4DPS-2421	DB30	438
4DPS-3021	DB36	521

- Price includes installation in cabinet
- Installed in bottom drawer



Adjustable Deep Drawer Divider System



Item	Fits Cabinet	Price
4ADI-36-1	DB30, DB33, DB36	709

- Price includes installation in cabinet
- Installed in bottom drawer



Wooden Cutlery Tray Replacement



4WTCD-15HSC-1	B15	772
4WTCD-18HSC-1	B18	879
4WTCD-21HSC-1	B21	907

- Price includes installation in cabinet
- BLUM, soft-close glides



4WTCD-15HSC-1



Charging Drawer Replacement



Item	Fits Cabinet	Price
4WCDB-18SC-1	B18	1754

• Price includes installation in cabinet



Deep Drawer Divider



4WDIV-24-1	DB24	528
4WDIV-30-1	DB30	625
4WDIV-36-1	DB36	730

• Price includes installation in cabinet



4WDIV-24-1



4WDIV-30-1



4WDIV-36-1

Item

Fits Cabinet

Price

**Wood Double Knife Block Insert**



4DWKB-1

B24

509

- Price includes installation in cabinet
- Installed in top drawer
- Can be used for:

**Base Cabinets:**

B12, B15, B18, B21, B24

**Drawer Base Cabinets:**

DB12, DB15, DB18, DB21, DB24



**Wood Spice Drawer Insert**



4SDI-18

B21

600

4SDI-24

B27

600

4SDI-36-1

DB36

600

- Price includes installation in cabinet
- Installed in top drawer
- Can be used for:

**Base Cabinets:**

B12, B15, B18, B21, B24

**Drawer Base Cabinets:**

DB12, DB15, DB18, DB21, DB24, DB30, DB33, B30-SDF



Wood Utensil Tray Insert



Item	Fits Cabinet	Price
4WUT-1	B21	275
4WUT-3	B27	355
4WUT-36-1	DB36	661
4WUTKB-36-1	DB36	898
4WUTCT-36-1	DB36	680

• Price includes installation in cabinet



4WUT-1  
B15, B18, B21, DB15, DB18



4WUT-3  
B21, B24, B27, DB21, DB24



4WUT-36-1  
DB30, DB33



4WUTKB-36-1  
DB30, DB33



4WUTCT-36-1  
B30, BDB30, DB33



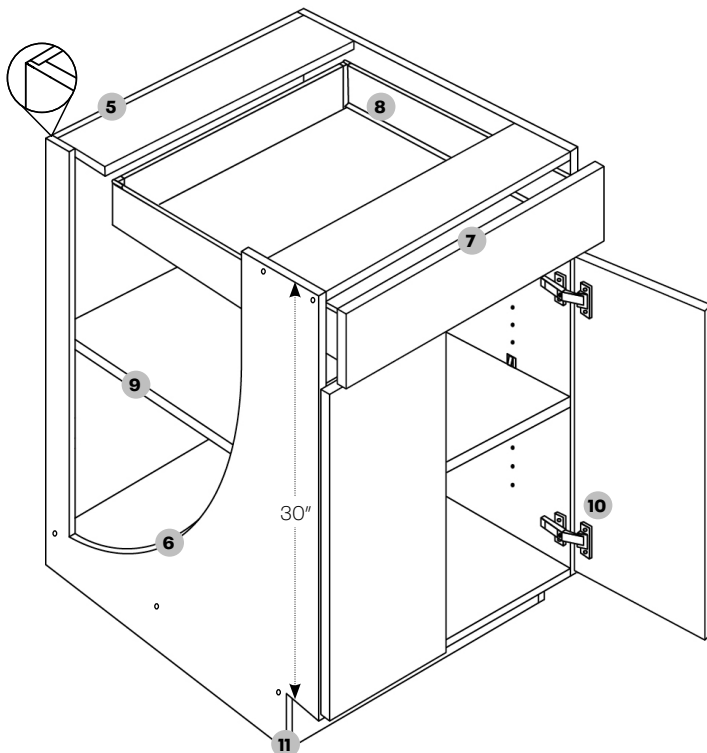
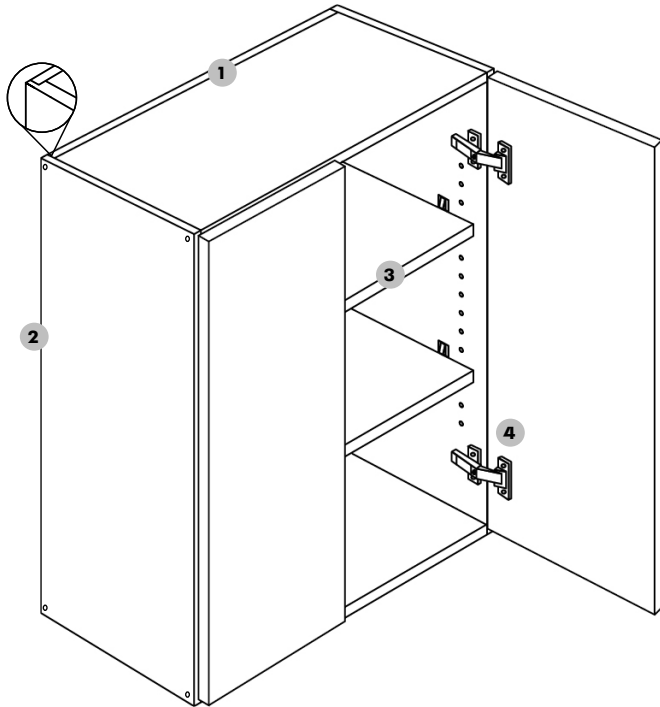
# Classic

BY CNC CABINETS

Cabinet & Door Information

# White Finish Frameless Box

Frameless  
1/8" Reveal



- 1 **Back panel** — 3/4" back panel
- 2 **End panel** — 3/4" thick plywood sides, constructed with glue, screws, and wooden dowels for durability and strength.
- 3 **Shelves** — 3/4" thick, plywood; fully adjustable with metal clips.
- 4 **Hinges** — Heavy duty steel concealed 6 way adjustable clip-on hinges with soft-close mechanism
  
- 5 **Back panel** — 3/4" full back panel constructed with wood dowels, glued and screwed together.
- 6 **End panel** — 3/4" thick plywood sides, constructed with glue, screws, and wooden dowels for durability and strength.
- 7 **Drawers** — Double white wall metal drawer with 1/2" plywood bottom.
- 8 **Glides** — Full extension glides, with soft closing feature.
- 9 **Shelves** — 3/4" thick, full depth plywood; fully adjustable with metal clips.
- 10 **Hinges** — Heavy duty steel concealed 6 way adjustable clip-on hinges with soft-close mechanism
- 11 **Toe Kick** — 4 1/2" Toe kick with 3" inset on all standard base and vanity cabinets. White toe kick is standard.

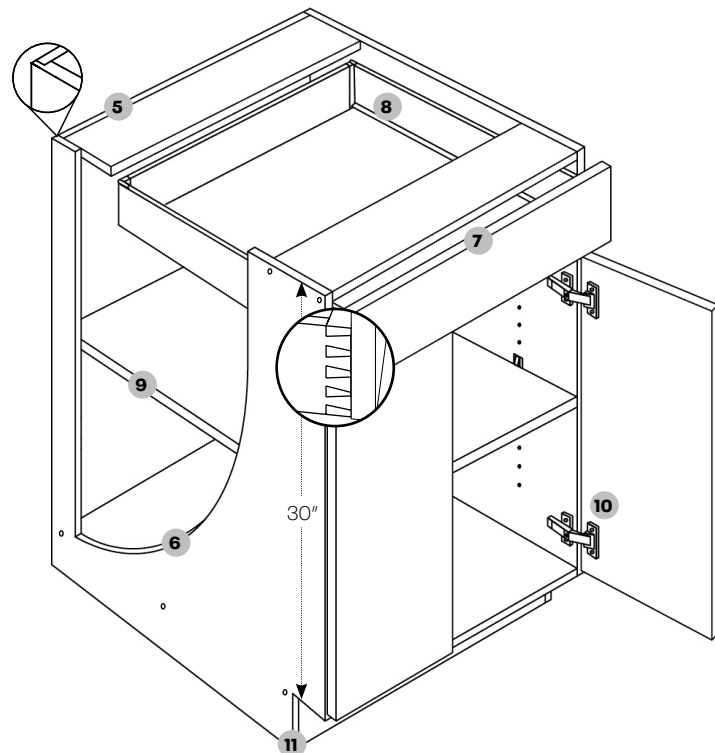
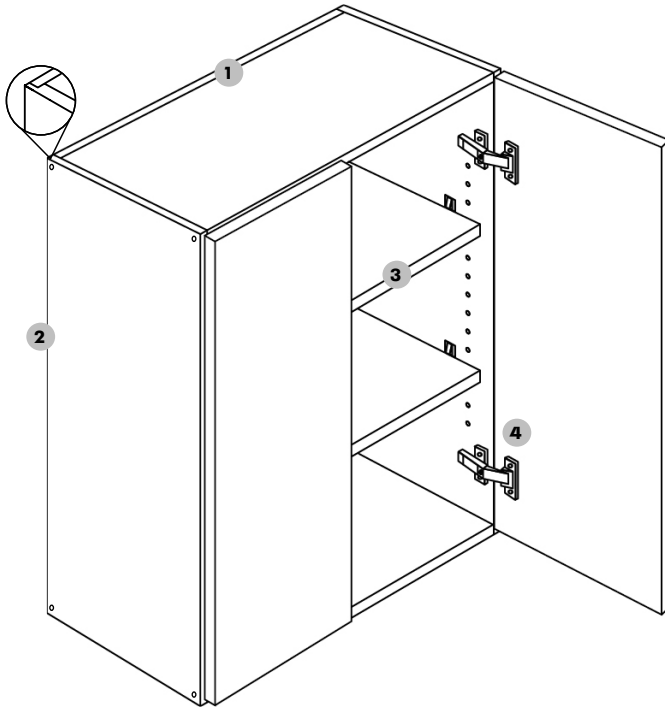
**Cabinet boxes are white edge banded with white interior and exterior.**

**On diagonal corner cabinets, matching edge banding will be applied vertically.**

**Classic cabinets are only available assembled.**

# Maple Finish Frameless Box

Frameless  
1/8" Reveal



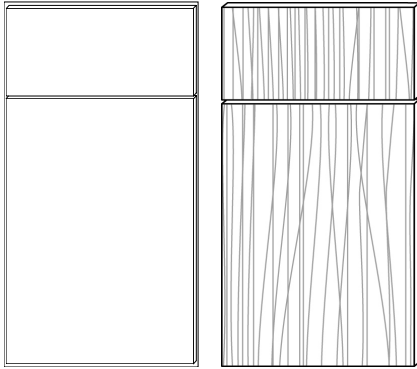
- 1 **Back panel** — 3/4" back panel
- 2 **End panel** — 3/4" thick plywood sides, constructed with glue, screws, and wooden dowels for durability and strength.
- 3 **Shelves** — 3/4" thick, plywood; fully adjustable with metal clips.
- 4 **Hinges** — Heavy duty steel concealed 6 way adjustable clip-on hinges with soft-close mechanism
  
- 5 **Back panel** — 3/4" full back panel constructed with wood dowels, glued and screwed together.
- 6 **End panel** — 3/4" thick plywood sides, constructed with glue, screws, and wooden dowels for durability and strength.
- 7 **Drawers** — 3/4" Solid wood, dovetail construction with soft-close glides.
- 8 **Glides** — Full extension glides, with soft closing feature.
- 9 **Shelves** — 3/4" thick, full depth plywood; fully adjustable with metal clips.
- 10 **Hinges** — Heavy duty steel concealed 6 way adjustable clip-on hinges with soft-close mechanism
- 11 **Toe Kick** — 4 1/2" Toe kick with 3" inset on all standard base and vanity cabinets. White toe kick is standard.

**Cabinet boxes are maple edge banded with maple interior and exterior.**

**On diagonal corner cabinets, matching edge banding will be applied vertically.**

**Classic cabinets are only available assembled.**

## Broadway



A full overlay low pressure laminate flat panel MDF door, with matching back.

White Box	Maple Box	Finish	Price Code
BMW	BMM	600 - Cotton	E
BMW	BMM	601 - Silk	E
BMW	BMM	602 - Nimbus	E
BMW	BMM	603 - Cobalt	E
BMW	BMM	604 - Graphite	E
BMW	BMM	650 - Almond	E
BMW	BMM	651 - Chestnut	E
BMW	BMM	652 - Walnut	E
BMW	BMM	656 - Silver Birch	E
BMW	BMM	653 - Coastal	E
BMW	BMM	654 - Driftwood	E
BMW	BMM	655 - Beach	E

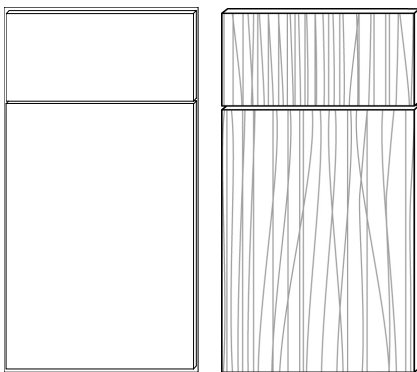
### End Panel Options

- 3/4" applied or integrated finished sides. (customer must order)

### Hardware

- 6 way, soft-close clip-on hinges and full extension glides

## Milano



A full overlay slab door made from a MDF core, wrapped in PET with a matching edgeband and melamine back.

White Box	Maple Box	Finish	Price Code
MPW	MPM	400 - Polar White (gloss)	F
MPW	MPM	401 - Fossil Grey (gloss)	F
MPW	MPM	402 - Sand (matte)	F
MPW	MPM	403 - Seaside (matte)	F
MPW	MPM	404 - Pine (matte)	F
MPW	MPM	405 - Snow (matte)	F
MPW	MPM	406 - Sunset (matte)	F
MPW	MPM	407 - Obsidian (matte)	F
MPW	MPM	450 - Mirage (reeded)	F
MPW	MPM	451 - Dune (textured)	F
MPW	MPM	452 - Autumn (textured)	F
MPW	MPM	453 - Ash (textured)	F

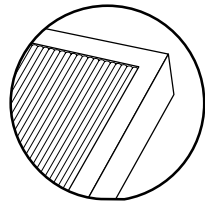
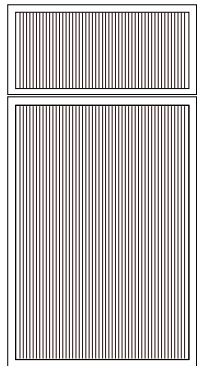
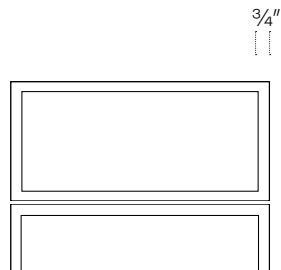
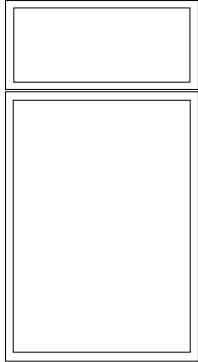
### End Panel Options

- 3/4" applied or integrated finished sides. (customer must order)

### Hardware

- BLUM 6 way, soft-close clip-on hinges and full extension glides

# Versailles



**MODIFICATION**  
Reeded insert available as an upgrade

White Box	Maple Box	Finish	Price Code
VBW	VBM	10 - White	G

White Box	Maple Box	Finish	Price Code
-----------	-----------	--------	------------

**Stain**

VKWP	VKMP	VBP200 - Ale	I
VKWP	VKMP	VBP201 - Bourbon	I
VKWP	VKMP	VBP202 - Wheat	I

**Paint**

VBWP	VBMP	101 - Sleek White	H
VBWP	VBMP	102 - Linen	H
VBWP	VBMP	103 - Sahara	H
VBWP	VBMP	104 - Mountain Stream	H
VBWP	VBMP	105 - Adirondack Blue	H
VBWP	VBMP	106 - Sage	H
VBWP	VBMP	107 - Evergreen	H
VBWP	VBMP	108 - Rumors	H
VBWP	VBMP	109 - Cracked Pepper	H
VBWP	VBMP	110 - Jet Black	H

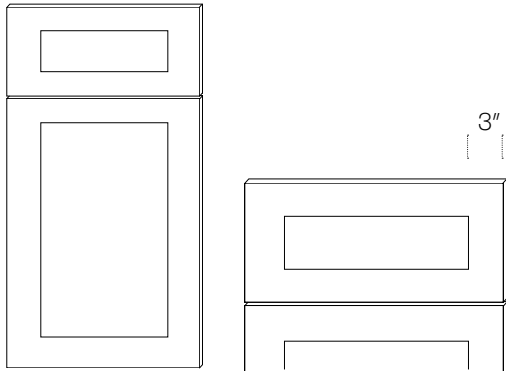
A full overlay 5 piece solid wood, with solid MDF veneer flat center panel. The Versailles door features a 3/4" frame.

- 3/4" Applied finished sides (Customer must order)
- 6 way, soft-close clip-on hinges and full extension glides

### PLUS Program Upgrades

- BLUM 6 way, soft-close clip-on hinges and full extension glides

# Woodbourne



White Box	Maple Box	Finish	Price Code
WBW	WBM	10 - White	G

White Box	Maple Box	Finish	Price Code
-----------	-----------	--------	------------

Stain			
WKMP	WKMP	VBP200 - Ale	I
WKMP	WKMP	VBP201 - Bourbon	I
WKMP	WKMP	VBP202 - Wheat	I

Paint			
WBWP	WBMP	02 - Smoky Grey	H
WBWP	WBMP	23 - Stone	H
WBWP	WBMP	27 - Ocean	H
WBWP	WBMP	101 - Sleek White	H
WBWP	WBMP	102 - Linen	H
WBWP	WBMP	103 - Sahara	H
WBWP	WBMP	104 - Mountain Stream	H
WBWP	WBMP	105 - Adirondack Blue	H
WBWP	WBMP	106 - Sage	H
WBWP	WBMP	107 - Evergreen	H
WBWP	WBMP	108 - Rumors	H
WBWP	WBMP	109 - Cracked Pepper	H
WBWP	WBMP	110 - Jet Black	H

**\*This product is special order only**

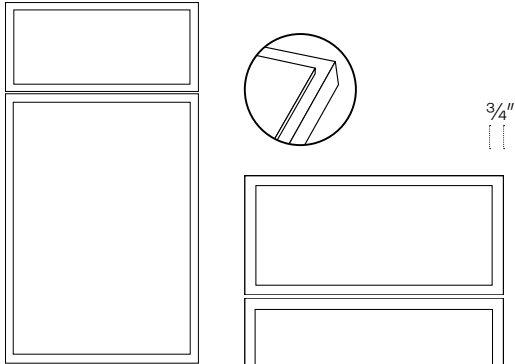
A full overlay 5 piece solid wood, with solid MDF veneer flat center panel.

- **3/4" Applied finished sides (Customer must order)**
- **6 way, soft-close clip-on hinges and full extension glides**

### PLUS Program Upgrades

- **BLUM 6 way, soft-close clip-on hinges and full extension glides**

## Highland



A full overlay 5 piece solid wood, with solid MDF veneer raised center panel. The Highland door features a 3/4" frame.

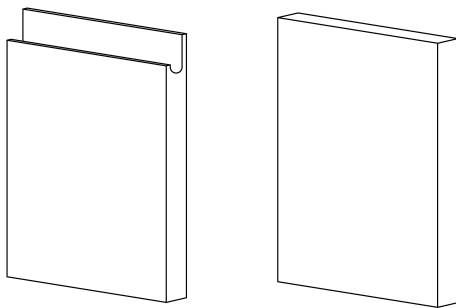
- 3/4" Applied finished sides (Customer must order)
- 6 way, soft-close clip-on hinges and full extension glides

### PLUS Program Upgrades

- BLUM 6 way, soft-close clip-on hinges and full extension glides

White Box	Maple Box	Finish	Price Code
HBW	HBM	10 - White	G
White Box	Maple Box	Finish	Price Code
HBWP	HBMP	101 - Sleek White	H
HBWP	HBMP	102 - Linen	H
HBWP	HBMP	103 - Sahara	H
HBWP	HBMP	104 - Mountain Stream	H
HBWP	HBMP	105 - Adirondack Blue	H
HBWP	HBMP	106 - Sage	H
HBWP	HBMP	107 - Evergreen	H
HBWP	HBMP	108 - Rumors	H
HBWP	HBMP	109 - Cracked Pepper	H
HBWP	HBMP	110 - Jet Black	H

## Alvic Doors



Finger-Pull

Slab

Alvic doors come with a color matching soft postforming edge band.

Finger-Pull is 25% Up-charged

Panels cannot exceed 107"

\*Alvic Doors come standard equipped with Blum hinges

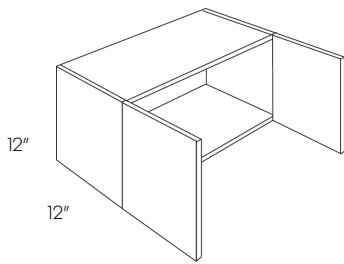
- Exposed ends need 3/4" finished panels (Not Factory Installed)
- Finger Pull only available on doors and drawers that are 47.5" or less

Finish	Price Code
Syncron (Textured)	J
Luxe (High Gloss) / Zenit (Matte)	K

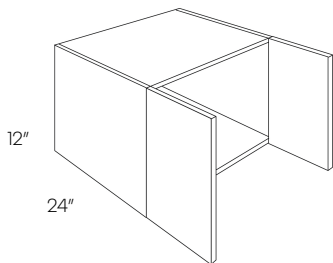


# Specifications & Pricing

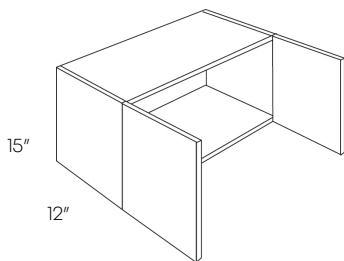
Item Number	Plus Program			Alvic			
	E	F	G	H	I	J	K
<b>12" High Wall Cabinet</b>							
<b>3012</b>	423	534	500	599	661	614	688
<b>3312</b>	439	553	518	621	685	636	713
<b>3612</b>	477	601	562	675	744	691	774
<b>3912</b>	514	649	607	728	803	746	835



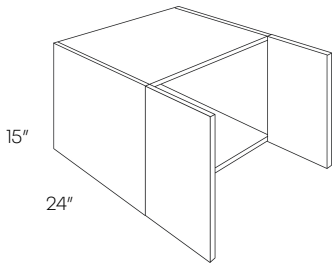
<b>12" High, 24" Deep Wall Cabinet</b>							
<b>3012X24</b>	604	762	713	856	943	876	981
<b>3312X24</b>	615	776	726	871	961	892	999
<b>3612X24</b>	635	801	750	900	992	921	1032
<b>3912X24</b>	685	864	809	970	1070	994	1113



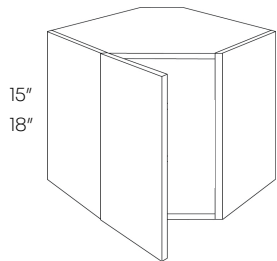
<b>15" High Wall Cabinet</b>							
<b>1215 (1 Door)</b>	276	348	325	390	430	400	448
<b>1515 (1 Door)</b>	296	373	349	419	462	429	480
<b>1815 (1 Door)</b>	318	401	375	450	496	461	516
<b>2115 (1 Door)</b>	340	429	401	482	531	493	552
<b>2415</b>	418	527	493	592	652	606	679
<b>2715</b>	548	691	646	775	855	N/A	N/A
<b>3015</b>	430	542	507	609	671	624	698
<b>3315</b>	449	566	530	636	701	651	729
<b>3615</b>	477	601	562	675	744	691	774
<b>3915</b>	526	663	620	744	820	N/A	N/A



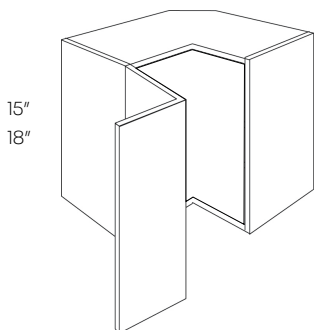
Item Number	Plus Program					Alvic	
	E	F	G	H	I	J	K
<b>15" High, 24" Deep Wall Cabinet</b>							
<b>3015X24</b>	578	728	682	818	902	838	938
<b>3315X24</b>	673	849	794	953	1051	976	1093
<b>3615X24</b>	643	811	759	911	1004	933	1045
<b>3915X24</b>	706	891	834	1000	1103	1024	1147



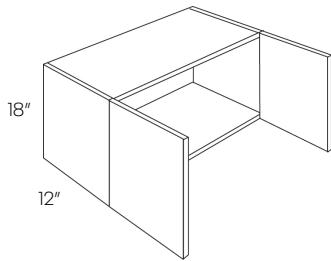
<b>Diagonal Corner Wall Cabinet</b>	<b>CW2415</b>	635	801	750	900	992	921	1032
	<b>CW2418</b>	725	915	856	1027	1132	1052	1178



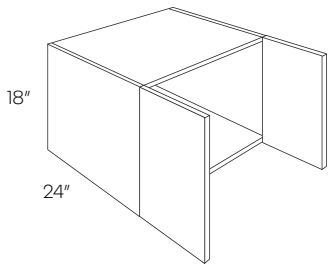
<b>Square Corner Wall Cabinet</b>	<b>WSQ2415</b>	635	801	750	900	992	N/A	N/A
	<b>WSQ2418</b>	725	915	856	1027	1132	N/A	N/A



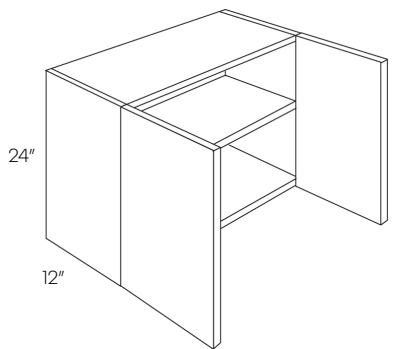
Item Number	Plus Program					Alvic	
	E	F	G	H	I	J	K
<b>18" High Wall Cabinet</b>							
<b>1218 (1 Door)</b>	316	398	373	447	493	458	513
<b>1518 (1 Door)</b>	339	427	400	480	529	492	550
<b>1818 (1 Door)</b>	365	460	430	516	569	529	592
<b>2118 (1 door)</b>	397	500	468	562	619	575	644
<b>2418</b>	418	527	493	592	652	606	679
<b>2718</b>	427	538	504	604	666	N/A	N/A
<b>3018</b>	437	551	515	618	682	633	709
<b>3318</b>	473	597	559	670	739	686	769
<b>3618</b>	542	684	640	768	846	786	880
<b>3918</b>	607	765	716	859	947	880	985



<b>18" High, 24" Deep Wall Cabinet</b>							
<b>3018X24</b>	643	811	759	911	1004	933	1045
<b>3318X24</b>	709	894	836	1003	1106	1028	1151
<b>3618X24</b>	724	913	855	1025	1131	1050	1176
<b>3918X24</b>	739	931	872	1046	1153	1071	1200

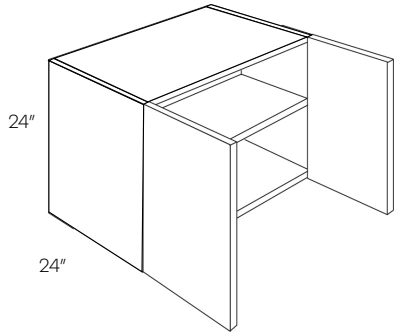


<b>24" High Wall Cabinet</b>							
<b>2424</b>	573	723	676	812	895	831	931
<b>2724</b>	588	741	693	832	917	852	954
<b>3024</b>	600	756	708	849	936	870	974
<b>3324</b>	639	805	754	904	997	926	1037
<b>3624</b>	686	866	810	972	1072	995	1115
<b>3924</b>	750	945	885	1062	1170	1087	1218
<b>4224</b>	816	1029	963	1156	1274	1184	1326



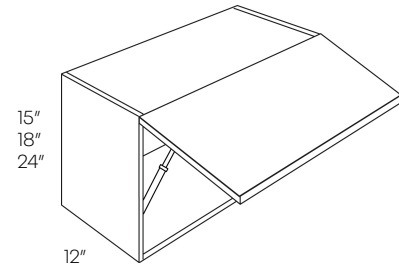
• No center brace

Item Number	Plus Program					Alvic	
	E	F	G	H	I	J	K
<b>24" High, 24" Deep Wall Cabinet</b>							
<b>3024X24</b>	802	1011	946	1135	1252	1163	1302
<b>3324X24</b>	864	1090	1020	1224	1349	1253	1403
<b>3624X24</b>	926	1168	1093	1312	1446	1343	1504
<b>3924X24</b>	1019	1286	1203	1444	1592	1478	1656



• No center brace

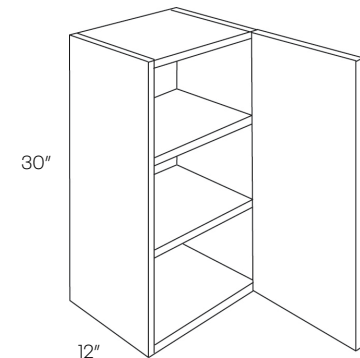
**Horizontal Wall Cabinet**



<b>3012-HD</b>	645	814	762	914	1007	934	1048
<b>3015-HD</b>	652	822	769	923	1018	946	1059
<b>3018-HD</b>	659	831	777	933	1028	955	1070
<b>3024-HD*</b>	822	1036	970	1164	1283	1192	1335
<b>3612-HD</b>	699	881	824	989	1091	1013	1135
<b>3615-HD</b>	699	881	824	989	1091	1013	1135
<b>3618-HD</b>	764	964	902	1082	1193	1108	1241
<b>*3624-HD</b>	908	1146	1072	1286	1418	1317	1476

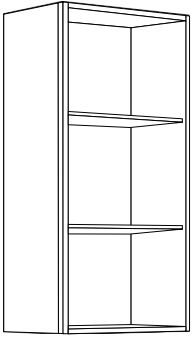
\* Has shelf

**30" High 1 Door Wall Cabinet**



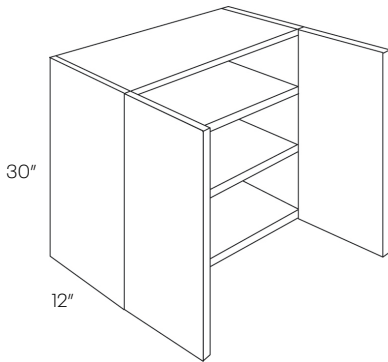
<b>930</b>	340	429	401	482	531	493	552
<b>1230</b>	379	478	447	537	591	550	615
<b>1530</b>	409	516	483	579	638	593	664
<b>1830</b>	460	580	543	651	718	667	747
<b>2130</b>	550	693	649	779	858	797	893

Item Number	Plus Program			Alvic			
	E	F	G	H	I	J	K
<b>30" High 1 Door Open Wall Cabinet</b> <b>WOC1830</b>	476	600	561	673	742	N/A	N/A



**30" High 2 Door Wall Cabinet**

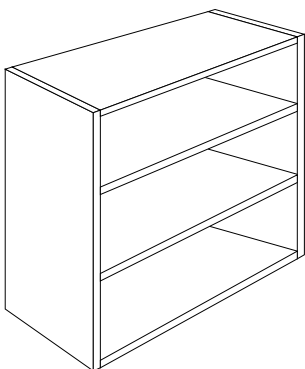
<b>2430</b>	587	740	692	831	916	851	953
<b>2730</b>	645	814	762	914	1007	936	1048
<b>3030</b>	662	835	781	937	1033	960	1075
<b>3330</b>	719	906	848	1018	1122	1042	1167
<b>3630</b>	765	965	903	1084	1195	1110	1243
<b>3930</b>	825	1041	974	1168	1288	1197	1340
<b>4230</b>	877	1106	1035	1242	1370	1272	1425



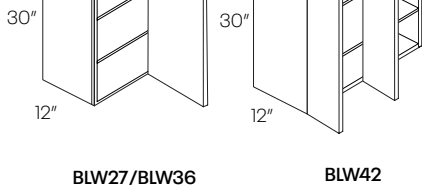
**30" High Open Wall Cabinet**

<b>WOC3030</b>	684	863	807	969	1068	N/A	N/A
----------------	-----	-----	-----	-----	------	-----	-----

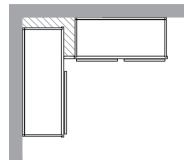
• Finished interior



Item Number	Plus Program					Alvic	
	E	F	G	H	I	J	K
<b>30" High Blind Wall Cabinet</b>							
BLW27/3030 (1 door)	834	1052	984	1181	1302	1210	1355
BLW30/3330 (1 door)	915	1154	1080	1296	1429	1327	1486
BLW36/3930	996	1256	1176	1411	1555	1445	1618
BLW42/4530	1195	1507	1410	1692	1865	1733	1941



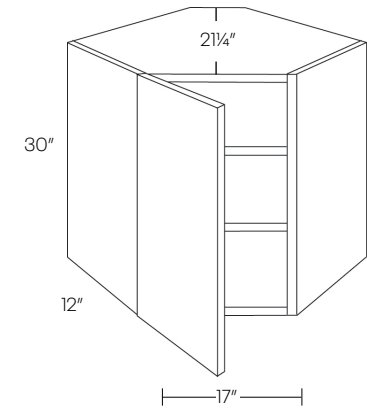
• Can be installed at actual size



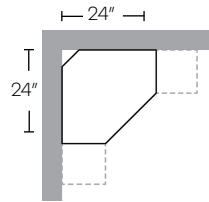
Cabinet	Min. Pull	Max. Pull	Actual Size	Door	Door Opening
BLW27/3030	27"	30"	27"	1230	11.25" X 28.5"
BLW30/3330	30"	33"	36"	1530	14.25" X 28.5"
BLW36/3930	36"	39"	36"	2130	20.25" X 28.5"
BLW42/4530	42"	45"	42"	2730	26.25" X 28.5"

30" High Diagonal Corner Wall Cabinet

<b>CW2430</b>	854	1077	1008	1209	1333	1239	1387
---------------	-----	------	------	------	------	------	------

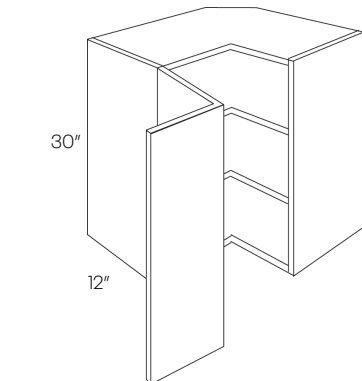


- Requires 24" x 24" wall space
- Matching Edgeband on vertical side

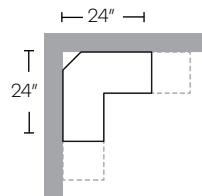


30" High Square Corner Wall Cabinet

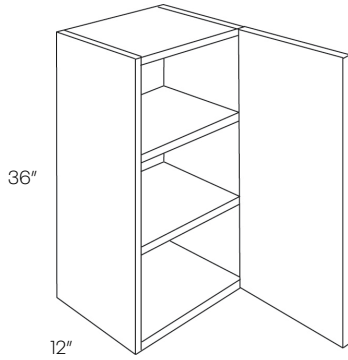
<b>WSQ2430</b>	983	1239	1160	1392	1534	1425	1596
----------------	-----	------	------	------	------	------	------



- Requires 24" x 24" wall space
- Pie is 12" x 12"



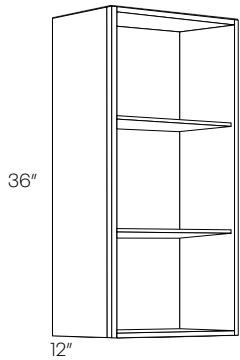
Item Number	Plus Program			Alvic			
	E	F	G	H	I	J	K
<b>36" High 1 Door Wall Cabinet</b>							
<b>936</b>	388	489	458	549	605	562	630
<b>1236</b>	430	542	507	609	671	624	698
<b>1536</b>	464	586	548	658	725	673	754
<b>1836</b>	523	660	618	741	817	759	850
<b>2136</b>	624	787	737	884	975	905	1014



**36" High Open Wall Cabinet**

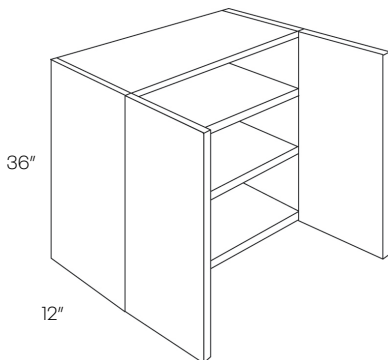
<b>WOC1836</b>	565	713	667	801	883	N/A	N/A
----------------	-----	-----	-----	-----	-----	-----	-----

• Finished interior



**36" High 2 Door Wall Cabinet**

<b>2436</b>	613	752	720	771	809	851	952
<b>2736</b>	673	831	795	844	887	941	1053
<b>3036</b>	695	852	830	870	914	966	1082
<b>3336</b>	677	921	888	947	994	1045	1169
<b>3636</b>	719	979	939	1006	1056	1107	1241
<b>4236</b>	826	1050	1162	1148	1206	1169	1313



Plus Program Alvic

Item Number

E

F

G

H

I

J

K

36" High Open Wall Cabinet

WOC3036

834

1052

984

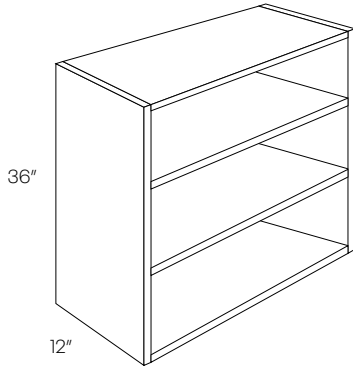
1181

1302

N/A

N/A

• Finished interior



36" High Blind Wall Cabinet

BLW27/3036 (1 door)

847

1039

999

1093

1148

1178

1317

BLW30/3336 (1 door)

929

1196

1151

1203

1263

1291

1445

BLW36/3936

1012

1241

1185

1312

1378

1404

1572

BLW42/4536

1095

1409

1379

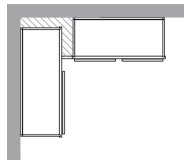
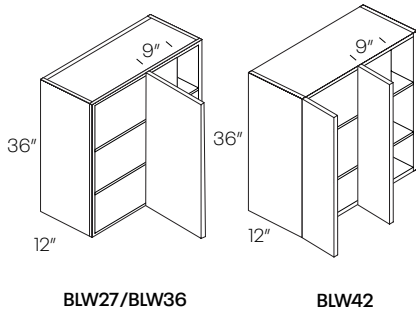
1422

1493

1517

1700

• Can be installed at actual size



Cabinet	Min. Pull	Max. Pull	Actual Size	Door	Door Opening
BLW27/3036	27"	30"	27"	1236	11.25" X 34.5"
BLW30/3336	30"	33"	30"	1536	14.25" X 34.5"
BLW36/3936	36"	39"	36"	2136	20.25" X 34.5"
BLW42/4536	42"	45"	42"	2736	26.25" X 34.5"

36" High Diagonal Corner Wall Cabinet

CW2436

708

868

925

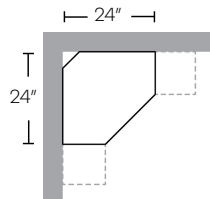
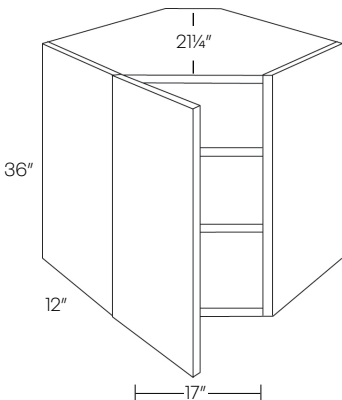
1124

1180

1091

1221

• Requires 24" x 24" wall space  
• Matching Edgeband on vertical side

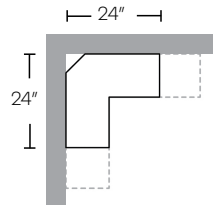
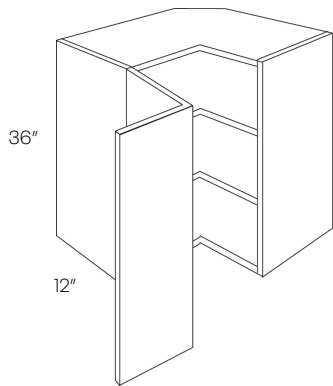


Item Number	Plus Program			Alvic		
	E	F	G	H	I	J

**36" High Square Corner Wall Cabinet**

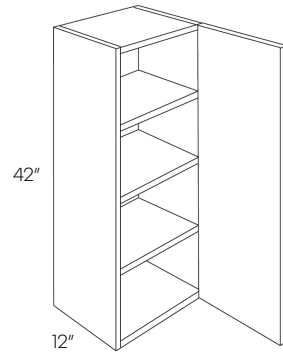
<b>WSQ2436</b>	842	1039	993	1191	1313	1178	1317
----------------	-----	------	-----	------	------	------	------

• Requires 24" x 24" wall space



**42" High 1 Door Wall Cabinet**

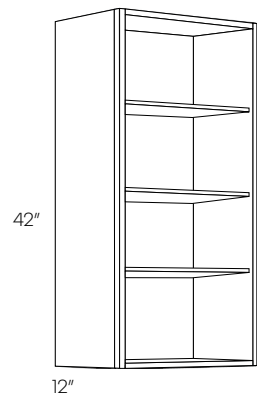
<b>942</b>	458	577	540	648	715	664	743
<b>1242</b>	496	625	585	702	773	719	805
<b>1542</b>	548	691	646	775	855	794	889
<b>1842</b>	609	768	718	862	950	883	989
<b>2142</b>	638	783	750	836	877	888	993



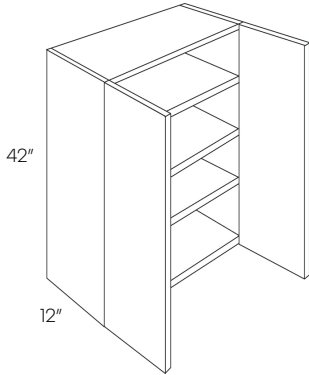
**42" High Open Wall Cabinet**

<b>WOC1842</b>	628	791	741	889	980	N/A	N/A
----------------	-----	-----	-----	-----	-----	-----	-----

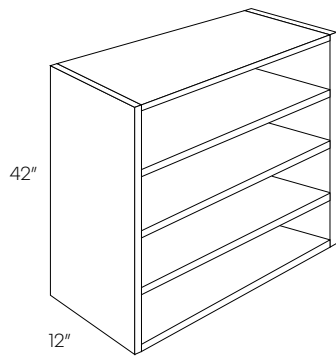
• Finished interior



Item Number	Plus Program					Alvic	
	E	F	G	H	I	J	K
<b>42" High 2 Door Wall Cabinet</b>							
<b>2442</b>	682	836	805	896	941	948	1060
<b>2742</b>	744	918	884	987	1036	1039	1165
<b>3042</b>	778	954	915	1023	1074	1080	1208
<b>3342</b>	836	1025	984	1099	1154	1161	1300
<b>3642</b>	879	733	1043	1167	1225	1229	1376
<b>4242</b>	973	1193	1277	1354	1422	1297	1452

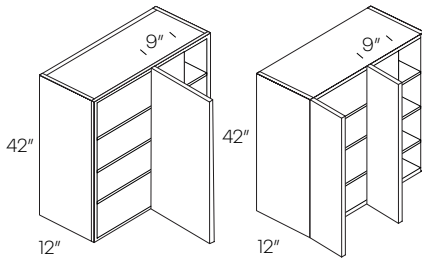


Item Number	E	F	G	H	I	J	K
<b>42" High Open Wall Cabinet</b>							
<b>WOC3042</b>	917	1157	1083	1299	1432	N/A	N/A



• Finished interior

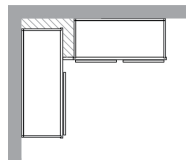
Item Number	E	F	G	H	I	J	K
<b>42" High Blind Wall Cabinet</b>							
<b>BLW27/3042 (1 door)</b>	942	1155	1112	1240	1302	1309	1464
<b>BLW30/3342 (1 door)</b>	1038	1272	1290	1366	1434	1441	1613
<b>BLW36/3942 (1 door)</b>	1132	1388	1334	1491	1565	1572	1761
<b>BLW42/4542</b>	1427	1749	1525	1616	1697	1704	1910



BLW27/BLW36

BLW42

• Can be installed at actual size

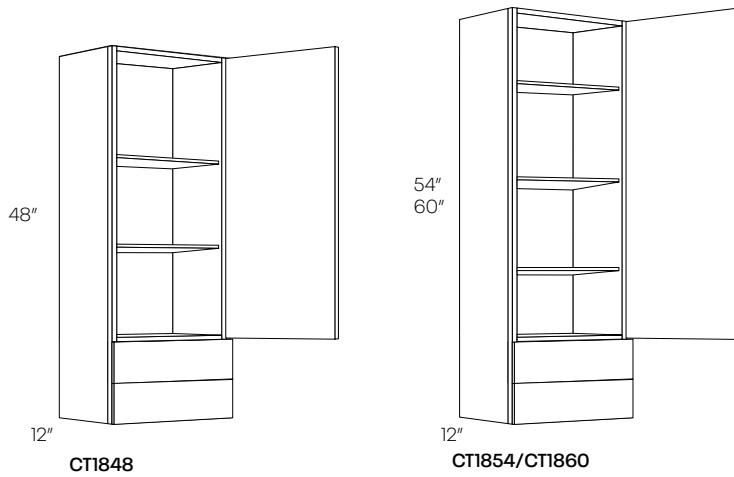


Cabinet	Min. Pull	Max. Pull	Actual Size	Door	Door Opening
BLW27/3042	27"	30"	27"	1242	11.25" X 40.5"
BLW30/3330	30"	33"	30"	1542	14.25" X 40.5"
BLW36/3942	36"	39"	36"	2142	20.25" X 40.5"
BLW42/4536	42"	45"	42"	2736	26.25" X 40.5"

Item Number	Plus Program				Alvic		
	E	F	G	H	I	J	K
<b>CT1848</b>	1049	1323	1238	1486	1638	N/A	N/A
<b>CT1854</b>	1166	1470	1376	1651	1820	N/A	N/A
<b>CT1860</b>	1275	1608	1504	1805	1990	N/A	N/A

**Wall Countertop Cabinet**

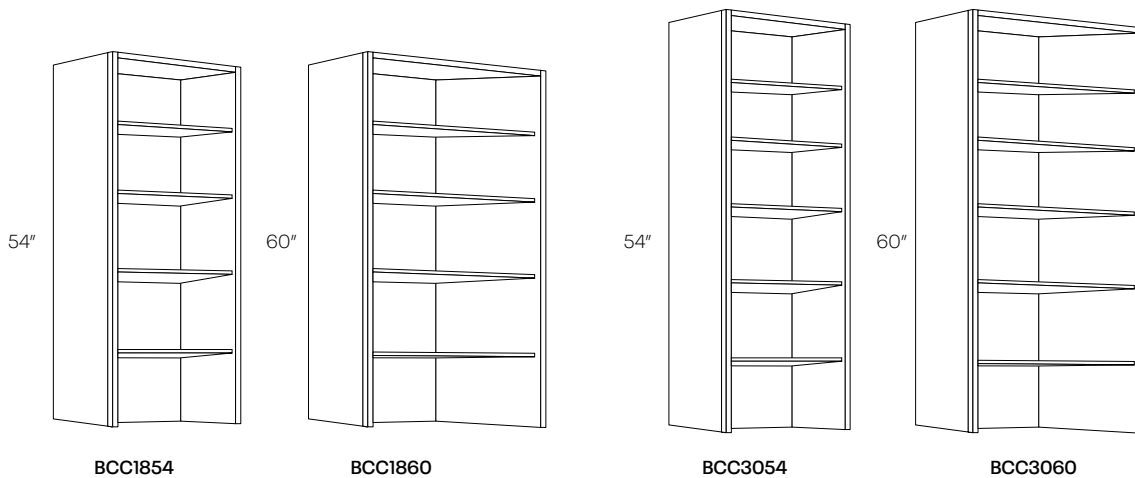
- Finished interior
- Must sit on counter



**Bookcase Cabinet**

<b>BCC1854</b>	972	1225	1147	1376	1517	N/A	N/A
<b>BCC1860</b>	1063	1340	1254	1505	1659	N/A	N/A
<b>BCC3054</b>	1346	1697	1588	1906	2101	N/A	N/A
<b>BCC3060</b>	1437	1812	1696	2035	2243	N/A	N/A

- Finished interior
- Must sit on counter



Plus Program      Alvic

Item Number

E

F

G

H

I

J

K

**42" High Diagonal Corner Wall Cabinet**

**CW2442**

809

991

1145

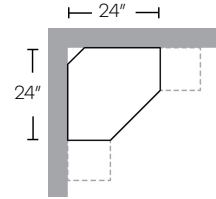
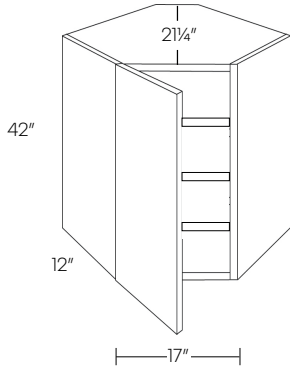
1279

1343

1220

1289

- Requires 24" x 24" wall space
- Matching Edgeband on vertical side



**42" High Square Corner Wall Cabinet**

**WSQ2442**

1043

1287

1230

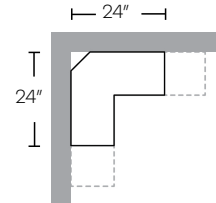
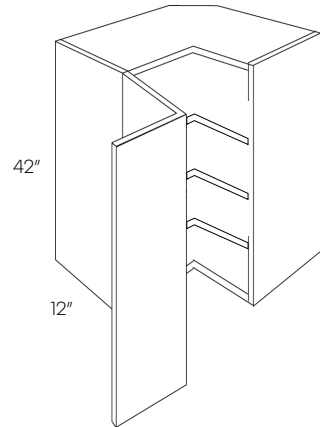
1478

1629

1458

1632

- Requires 24" x 24" wall space



**Single Door Wall End Cabinet**

**WEC1230**

347

428

404

460

507

485

542

**WEC1236**

391

482

452

523

577

546

611

**WEC1242**

437

672

505

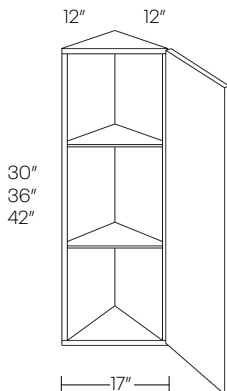
582

642

615

682

- 36" and 42" have 3 shelves
- Matching Edgeband

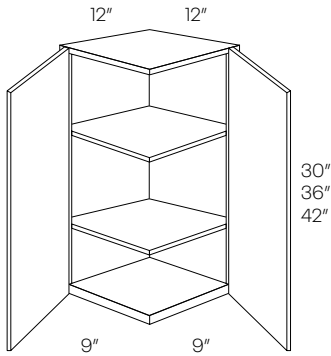


Plus Program

Alvic

Item Number	Plus Program			Alvic		
	E	F	G	H	I	J

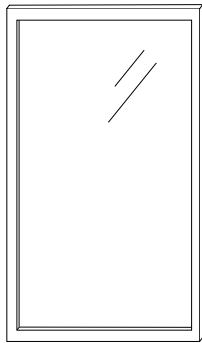
Double Door Wall End Cabinet



<b>WECD1230</b>	419	539	505	729	804	608	682
<b>WECD1236</b>	489	603	566	817	901	683	765
<b>WECD1242</b>	497	672	631	912	1005	762	853

• 36" and 42" have 3 shelves

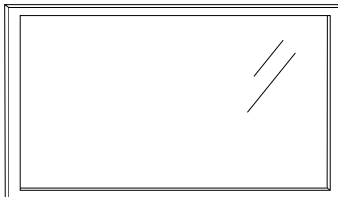
Aluminum Frame Glass Door - Vertical



<b>ACG-DR-1530</b>	349	349	349	349	349	349	349
<b>ACG-DR-1536</b>	382	382	382	382	382	382	382
<b>ACG-DR-1542</b>	414	414	414	414	414	414	414
<b>ACG-DR-1830</b>	377	377	377	377	377	377	377
<b>ACG-DR-1836</b>	411	411	411	411	411	411	411
<b>ACG-DR-1842</b>	442	442	442	442	442	442	442

- Aluminum doors shipped loose
- Aluminum door frame is black
- BLUM not available

Aluminum Frame Glass Door - Horizontal

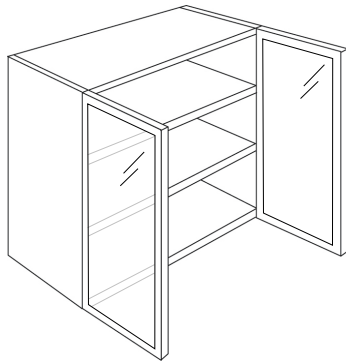
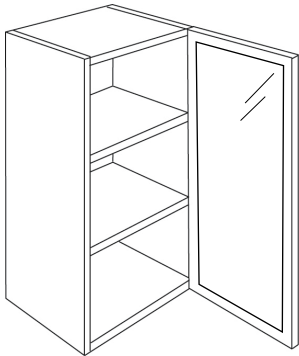


<b>ACG-DR-3015-HD</b>	349	349	349	349	349	349	349
<b>ACG-DR-3018-HD</b>	377	377	377	377	377	377	377
<b>ACG-DR-3615-HD</b>	382	382	382	382	382	382	382
<b>ACG-DR-3618-HD</b>	411	411	411	411	411	411	411

- Aluminum doors shipped loose
- Aluminum door frame is black
- BLUM not available

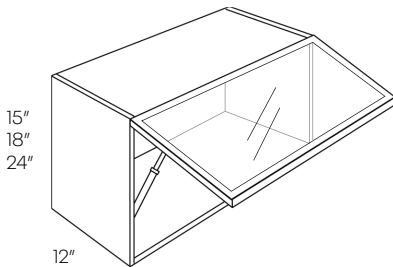
Item Number	Plus Program					Alvic	
	E	F	G	H	I	J	K
<b>ACG-1530</b>	705	785	625	715	750	683	743
<b>ACG-1830</b>	778	870	655	769	808	742	809
<b>ACG-3030</b>	1270	1404	1050	1250	1313	1179	1275
<b>ACG-3630</b>	1420	1575	1153	1364	1432	1301	1411
<b>ACG-1536</b>	858	966	747	875	918	851	931
<b>ACG-1836</b>	939	1059	799	931	977	918	987
<b>ACG-3036</b>	1459	1616	1193	1412	1482	1348	1464
<b>ACG-3636</b>	1615	1801	1296	1523	1599	1470	1604
<b>ACG-1542</b>	844	999	748	876	920	853	933
<b>ACG-1842</b>	974	1095	796	926	973	913	1081
<b>ACG-3042</b>	1606	1782	1290	1520	1596	1462	1590
<b>ACG-3642</b>	1763	1969	1383	1618	1698	1579	1726

**Aluminum Frame Glass Door - Vertical**



- Aluminum door frame is black
- BLUM not available
- Finished interior available as an upcharge

**Aluminum Frame Glass Door - Horizontal**

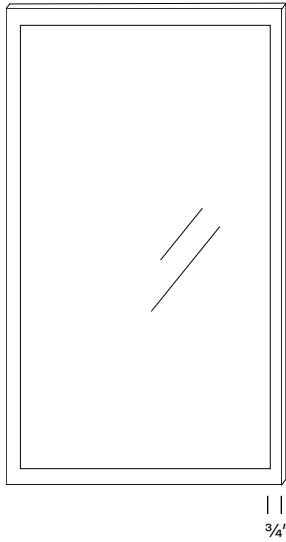


<b>ACG-3015-HD</b>	1020	1107	1063	1599	1679	1198	1300
<b>ACG-3018-HD</b>	1093	1188	1101	1600	1680	1236	1340
<b>ACG-3615-HD</b>	1098	1218	1261	1798	1887	1444	1562
<b>ACG-3618-HD</b>	1214	1328	1311	1799	1889	1487	1614

- Aluminum door frame is black
- BLUM not available
- Finished interior available as an upcharge

## Custom Glass Doors

### Custom Glass and Frame Options



- Custom Doors are priced per square foot
- Aluminum doors shipped loose
- BLUM not available
- Customer must provide drawings & dimensions (Width x Height) for custom price quote and lead time

Example SKU: GAC1-DR-1230-SPECIFY FRAME/GLASS

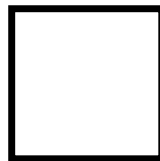
#### Glass Options

Glass Type	Price Code
Low Iron Clear Glass	GAC1
Satin Glass	GAC1
Bronze Clear Glass	GAC1
Bronze Satin Glass	GAC2
Narrow Reeded Glass	GAC2
Standard Reeded Glass	GAC2

#### Frame Options

Frame Color	Finish
Gold	Metallic
Modern Brass	Metallic
Artic Silver	Metallic
Onyx	Matte

Low Iron Clear Glass



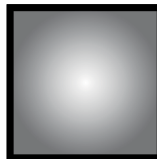
Satin Glass



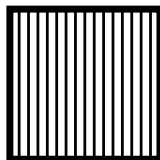
Bronze Clear Glass



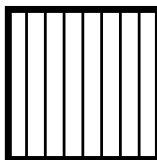
Bronze Satin Glass

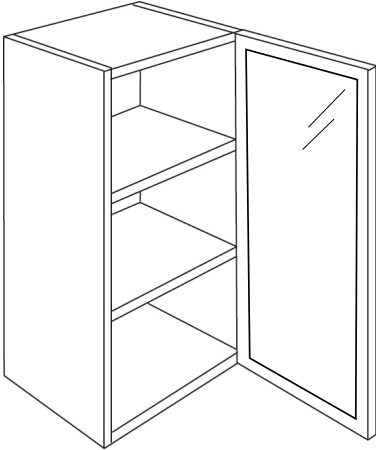
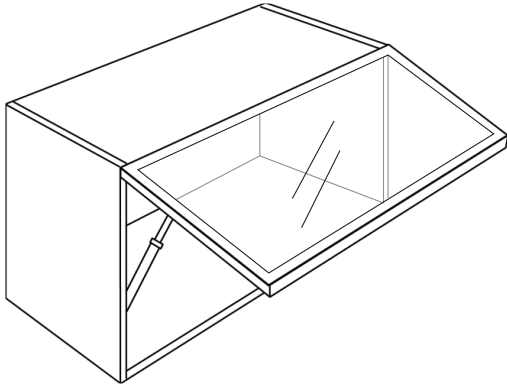


Narrow Reeded Glass



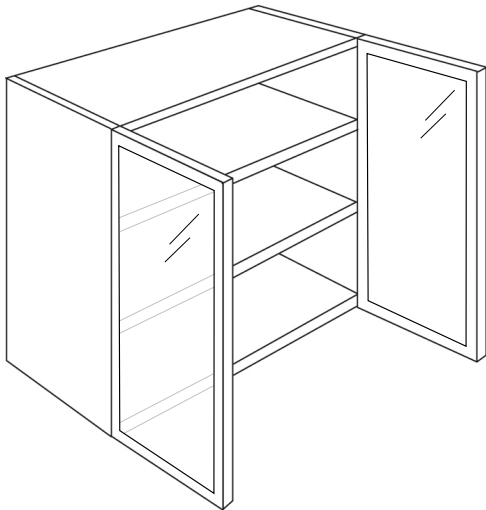
Standard Reeded Glass



	Item Number	GAC1	GAC2
<p><b>Custom Glass Door Single Door Wall Cabinet</b></p>  	DR-930	733	884
	DR-936	904	1085
	DR-942	1034	1245
	DR-1215	516	616
	DR-1218	603	723
	DR-1230	951	1151
	DR-1236	1165	1406
	DR-1242	1339	1620
	DR-1515	625	750
	DR-1518	733	884
	DR-1530	1168	1419
	DR-1536	1426	1727
	DR-1542	1643	1994
	DR-1815	733	884
	DR-1818	864	1044
	DR-1830	1385	1687
	DR-1836	1686	2048
	DR-1842	1947	2369
	DR-2115	842	1018
	DR-2118	994	1205
	DR-2130	1603	<b>1954</b>
	DR-2136	1907	2329
	DR-2142	2211	2703
	DR-CT1848	1686	2048
	DR-CT1854	1947	2369
	DR-CT1860	2208	2690
	DR-CW2415	951	1151
	DR-CW2418	1124	1365
	DR-CW2430	1820	2222
	DR-CW2436	2208	2690
	DR-CW2442	2556	3118
	DR-CUS*	469	550

\* Custom Doors are priced per square foot  
 • Prices are for door(s) only. Cabinet box must be purchased separately.

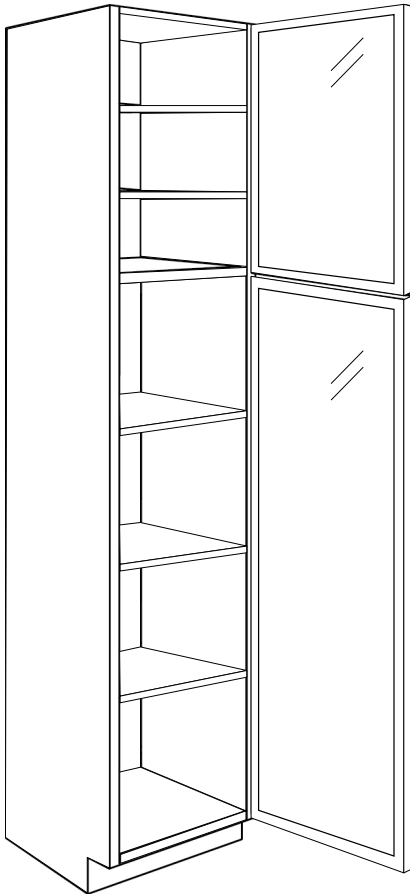
Custom Glass Door Double Door Wall Cabinet



Item Number	GAC1	GAC2
DR-2412	777	937
DR-2415	951	1151
DR-2418	1124	1365
DR-2424	1472	1794
DR-2715	1059	1285
DR-2718	1255	1526
DR-2724	1646	2008
DR-2730	2037	2489
DR-2736	2469	3011
DR-2742	2860	3493
DR-3012	951	1151
DR-3015	1168	1419
DR-3018	1385	1687
DR-3024	1820	2222
DR-3312	1037	1258
DR-3315	1277	1553
DR-3318	1516	1847
DR-3324	1994	2436
DR-3330	2472	3024
DR-3336	2990	3653
DR-3342	3469	4242
DR-3612	1124	1365
DR-3615	1385	1687
DR-3618	1646	2008
DR-3624	2168	2650
DR-3912	1211	1472
DR-3915	1494	1820
DR-3918	1776	2168
DR-3924	2342	2864
DR-3930	2907	3559
DR-4224	2515	3078

\* Custom Doors are priced per square foot  
 • Prices are for door(s) only. Cabinet box must be purchased separately.

Custom Glass Door Tall Cabinet Door

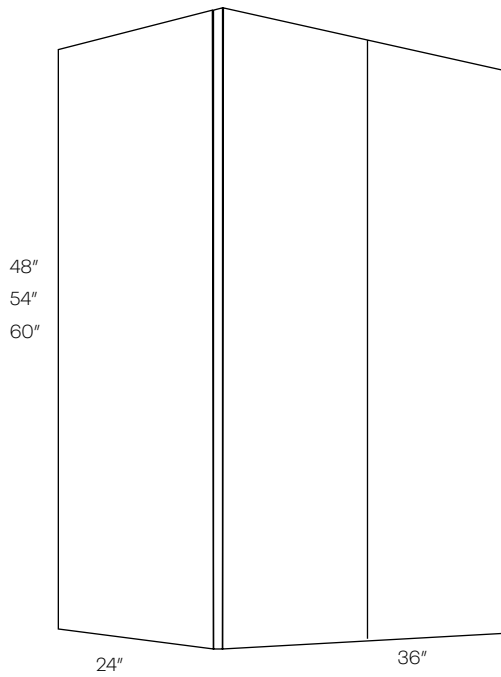


Item Number	GAC1	GAC2
DR-UC1524B	1896	2307
DR-UC1824B	2251	2744
DR-UC2424B	2961	3618
DR-UC3024B	3672	4492
DR-UC1524X84T	1168	1419
DR-UC1824X84T	1385	1687
DR-UC2424X84T	1820	2222
DR-UC3024X84T	2255	2757
DR-UC1524X90T	1385	1687
DR-UC1824X90T	1646	2008
DR-UC2424X90T	2168	2650
DR-UC3024X90T	2689	3292
DR-UC1524X96T	1643	1994
DR-UC1824X96T	1947	2369
DR-UC2424X96T	2556	3118
DR-UC3024X96T	3164	3867

- \* Custom Doors are priced per square foot
- Prices are for door(s) only. Cabinet box must be purchased separately
- Must buy top and bottom doors

Item Number	Plus Program			Alvic			
	E	F	G	H	I	J	K
<b>PDB3648L</b>	16020	20205	N/A	N/A	N/A	N/A	N/A
<b>PDB3648R</b>	16020	20205	N/A	N/A	N/A	N/A	N/A
<b>PDB3654L</b>	16702	21065	N/A	N/A	N/A	N/A	N/A
<b>PDB3654R</b>	16702	21065	N/A	N/A	N/A	N/A	N/A
<b>PDB3660L</b>	17383	21924	N/A	N/A	N/A	N/A	N/A
<b>PDB3660R</b>	17383	21924	N/A	N/A	N/A	N/A	N/A

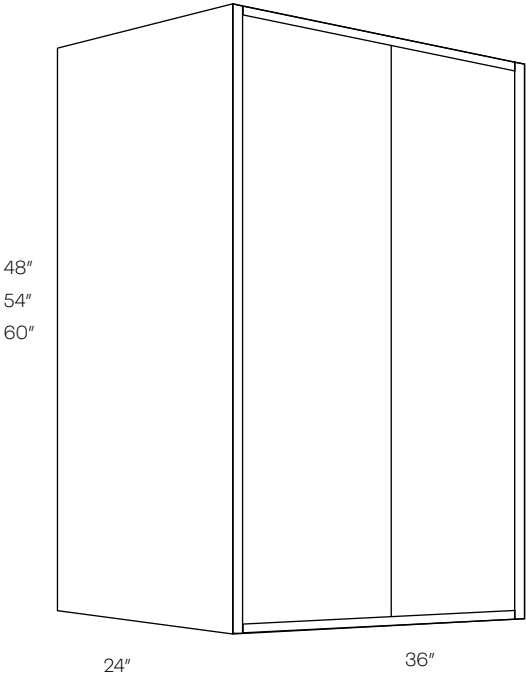
**Pocket Door Cabinet W/ BLUM**



- BLUM hardware
- Must sit on counter

Item Number	Plus Program					Alvic	
	E	F	G	H	I	J	K
<b>PD3648</b>	5111	6446	N/A	N/A	N/A	N/A	N/A
<b>PD3654</b>	5792	7306	N/A	N/A	N/A	N/A	N/A
<b>PD3660</b>	6474	8165	N/A	N/A	N/A	N/A	N/A

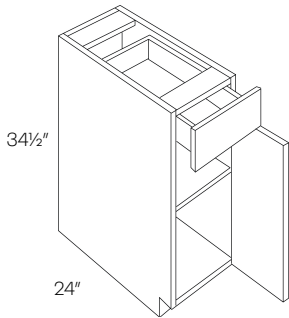
**Pocket Door Cabinet**



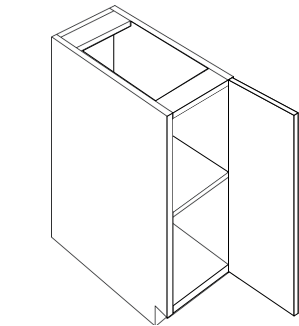
• Must sit on counter

Item Number	Plus Program				Alvic		
	E	F	G	H	I	J	K
<b>B9</b>	496	625	585	702	773	719	805
<b>B12</b>	570	719	673	807	890	826	926
<b>B15</b>	597	752	704	845	931	865	969
<b>B18</b>	627	790	739	887	978	909	1018
<b>B21</b>	714	901	843	1011	1115	1036	1160
<b>B9-FH</b>	496	625	585	702	773	719	805
<b>B12-FH</b>	570	719	673	807	890	826	926
<b>B15-FH</b>	597	752	704	845	931	865	969
<b>B18-FH</b>	627	790	739	887	978	909	1018
<b>B21-FH</b>	714	901	843	1011	1115	1036	1160

Single Door Base Cabinet

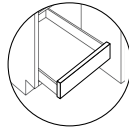


24"



Full Height

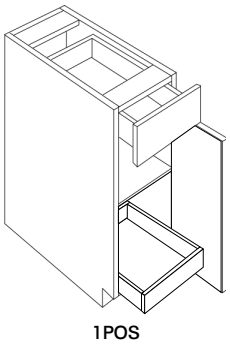
- White Box has metal drawer
- Maple has a solid wood dovetail box, with ball bearing soft close glides (not BLUM)



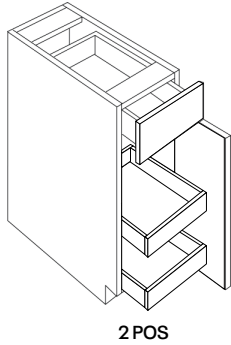
Slab drawer on White Cabinet box POS

Item Number	Plus Program					Alvic	
	E	F	G	H	I	J	K
<b>B12-POS1</b>	785	907	881	955	988	1110	1244
<b>B15-POS1</b>	818	945	917	994	1029	1153	1291
<b>B18-POS1</b>	869	1003	974	1050	1086	1223	1371
<b>B21-POS1</b>	953	1103	1070	1163	1204	1352	1515
<b>B12-POS1-FH</b>	785	907	881	955	988	1110	1244
<b>B15-POS1-FH</b>	818	945	917	994	1029	1153	1291
<b>B18-POS1-FH</b>	869	1003	974	1050	1086	1223	1371
<b>B21-POS1-FH</b>	953	1103	1070	1163	1204	1352	1515
<b>B12-POS2</b>	1033	1155	1129	1253	1286	1350	1510
<b>B15-POS2</b>	1075	1202	1174	1301	1336	1401	1569
<b>B18-POS2</b>	1147	1281	1252	1378	1414	1501	1680
<b>B21-POS2</b>	1243	1393	1360	1503	1544	1645	1842
<b>B12-POS2-FH</b>	1033	1155	1129	1253	1286	1350	1510
<b>B15-POS2-FH</b>	1075	1202	1174	1301	1336	1401	1569
<b>B18-POS2-FH</b>	1147	1281	1252	1378	1414	1501	1680
<b>B21-POS2-FH</b>	1243	1393	1360	1503	1544	1645	1842
<b>B12-FH-POD</b>	893	1042	996	1130	1213	N/A	N/A
<b>B12-FH-POS1-POD</b>	1216	1365	1319	1453	1536	N/A	N/A
<b>B12-FH-POS2-POD</b>	1539	1688	1642	1776	1859	N/A	N/A
<b>B15-FH-POD</b>	930	1085	1037	1178	1264	N/A	N/A
<b>B15-FH-POS1-POD</b>	1263	1418	1370	1511	1597	N/A	N/A
<b>B15-FH-POS2-POD</b>	1596	1751	1703	1844	1930	N/A	N/A
<b>B18-FH-POD</b>	984	1147	1096	1244	1335	N/A	N/A
<b>B18-FH-POS1-POD</b>	1341	1504	1453	1601	1692	N/A	N/A
<b>B18-FH-POS2-POD</b>	1698	1861	1810	1958	2049	N/A	N/A
<b>B21-FH-POD</b>	1084	1271	1213	1381	1485	N/A	N/A
<b>B21-FH-POS1-POD</b>	1454	1641	1583	1751	1855	N/A	N/A
<b>B21-FH-POS2-POD</b>	1824	2011	1953	2121	2225	N/A	N/A

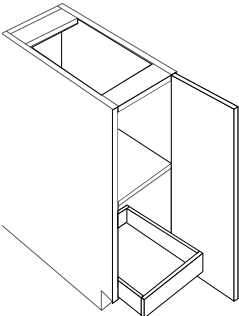
**Single Door & Drawer Base Cabinet W/ POD/POS**



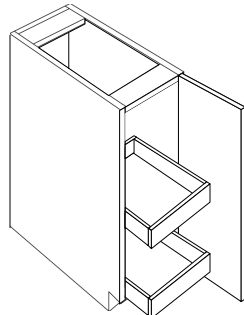
1 POS



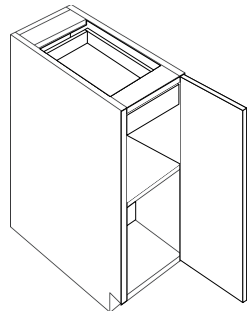
2 POS



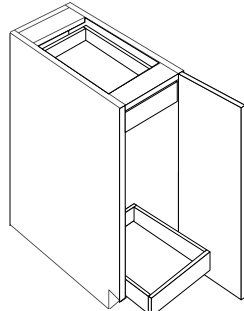
Full Height 1 POS



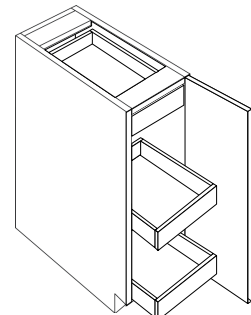
Full Height 2 POS



Full Height POD

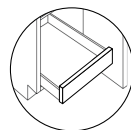


Full Height POD, 1 POS



Full Height POD, 2 POS

- White Box has metal drawer
- Maple has a solid wood dovetail box, with ball bearing soft close glides (not BLUM)

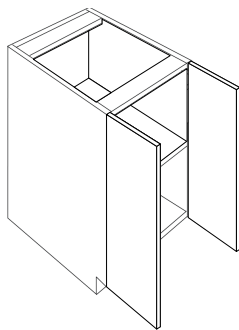
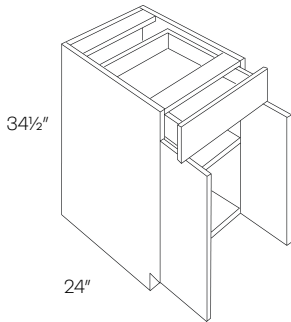


Slab drawer on White Cabinet box POS

Item Number	Plus Program			Alvic		
	E	F	G	H	I	J

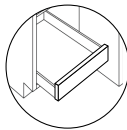
**1 Drawer 2 Door Base Cabinet**

<b>B24</b>	799	1007	942	1131	1247	1158	1297
<b>B27</b>	883	1113	1042	1250	1378	1280	1434
<b>B24-FH</b>	799	1007	942	1131	1247	1158	1297
<b>B27-FH</b>	883	1113	1042	1250	1378	1280	1434



Full Height

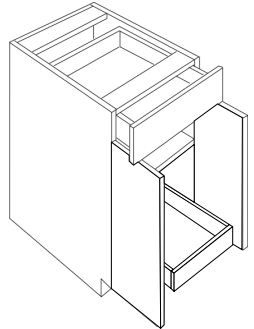
- White Box has metal drawer
- Maple has a solid wood dovetail box, with ball bearing soft close glides (not BLUM)



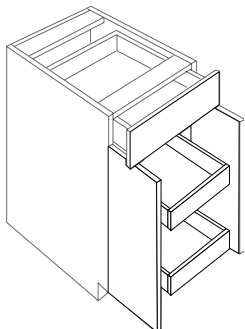
Slab drawer on White Cabinet box POS

Item Number	Plus Program					Alvic	
	E	F	G	H	I	J	K

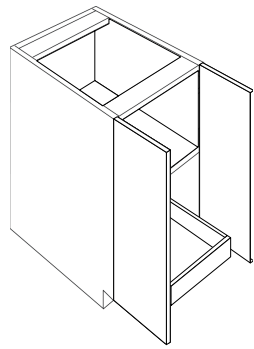
**1 Drawer 2 Door Base Cabinet  
W/ POD/POS**



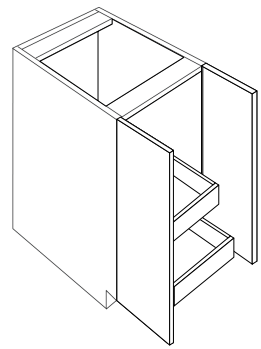
1 POS



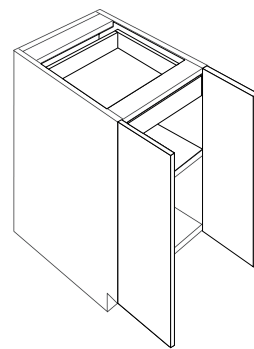
2 POS



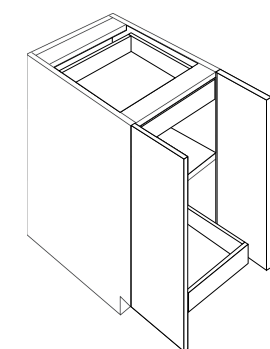
Full Height 1 POS



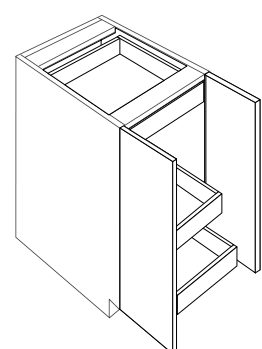
Full Height 2 POS



Full Height POD



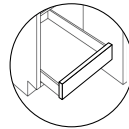
Full Height POD, 1 POS



Full Height POD, 2 POS

<b>B24-POS1</b>	1026	1186	1161	1292	1338	1432	1603
<b>B27-POS1</b>	1103	1277	1251	1399	1450	1539	1724
<b>B24-POS1-FH</b>	1026	1186	1161	1292	1338	1432	1603
<b>B27-POS1-FH</b>	1103	1277	1251	1399	1450	1539	1724
<b>B24-POS2</b>	1347	1507	1482	1663	1709	1760	1971
<b>B27-POS2</b>	1435	1609	1583	1781	1832	1881	2106
<b>B24-POS2-FH</b>	1347	1507	1482	1663	1709	1760	1971
<b>B27-POS2-FH</b>	1435	1609	1583	1781	1832	1881	2106
<b>B24-FH-POD</b>	1204	1412	1347	1536	1652	N/A	N/A
<b>B24-FH-POS1-POD</b>	1609	1817	1752	1941	2057	N/A	N/A
<b>B24-FH-POS2-POD</b>	2014	2222	2157	2346	2462	N/A	N/A
<b>B27-FH-POD</b>	1301	1531	1460	1668	1796	N/A	N/A
<b>B27-FH-POS1-POD</b>	1719	1949	1878	2086	2214	N/A	N/A
<b>B27-FH-POS2-POD</b>	2137	2367	2296	2504	2632	N/A	N/A

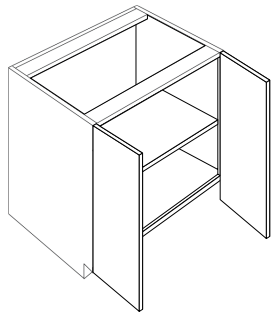
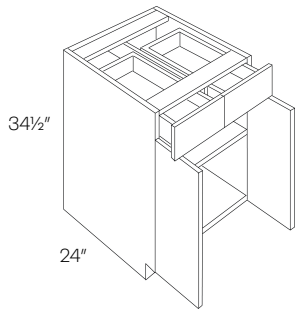
- White Box has metal drawer
- Maple has a solid wood dovetail box, with ball bearing soft close glides (not BLUM)



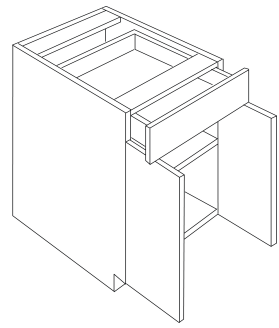
Slab drawer on  
White Cabinet box POS

Item Number	Plus Program			Alvic			
	E	F	G	H	I	J	K
<b>B30</b>	962	1213	1135	1362	1501	1395	1562
<b>B33</b>	1026	1294	1211	1453	1602	1488	1667
<b>B36</b>	1076	1357	N/A	1524	1680	1561	1748
<b>B39</b>	1145	1444	1351	1621	1787	1660	1860
<b>B42</b>	1206	1521	1423	1708	1883	1749	1959
<b>B30-FH</b>	962	1213	1135	1362	1501	1395	1562
<b>B33-FH</b>	1026	1294	1211	1453	1602	1488	1667
<b>B36-FH</b>	1076	1357	N/A	1524	1680	1561	1748
<b>B39-FH</b>	1145	1444	1351	1621	1787	1660	1860
<b>B42-FH</b>	1206	1521	1423	1708	1883	1749	1959
<b>B30-SDF</b>	962	1213	1135	1362	1501	N/A	N/A
<b>B33-SDF</b>	1026	1294	1211	1453	1602	N/A	N/A
<b>B36-SDF</b>	1076	1357	1270	1524	1680	N/A	N/A

**2 Drawer & Door Base Cabinet**

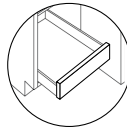


Full Height

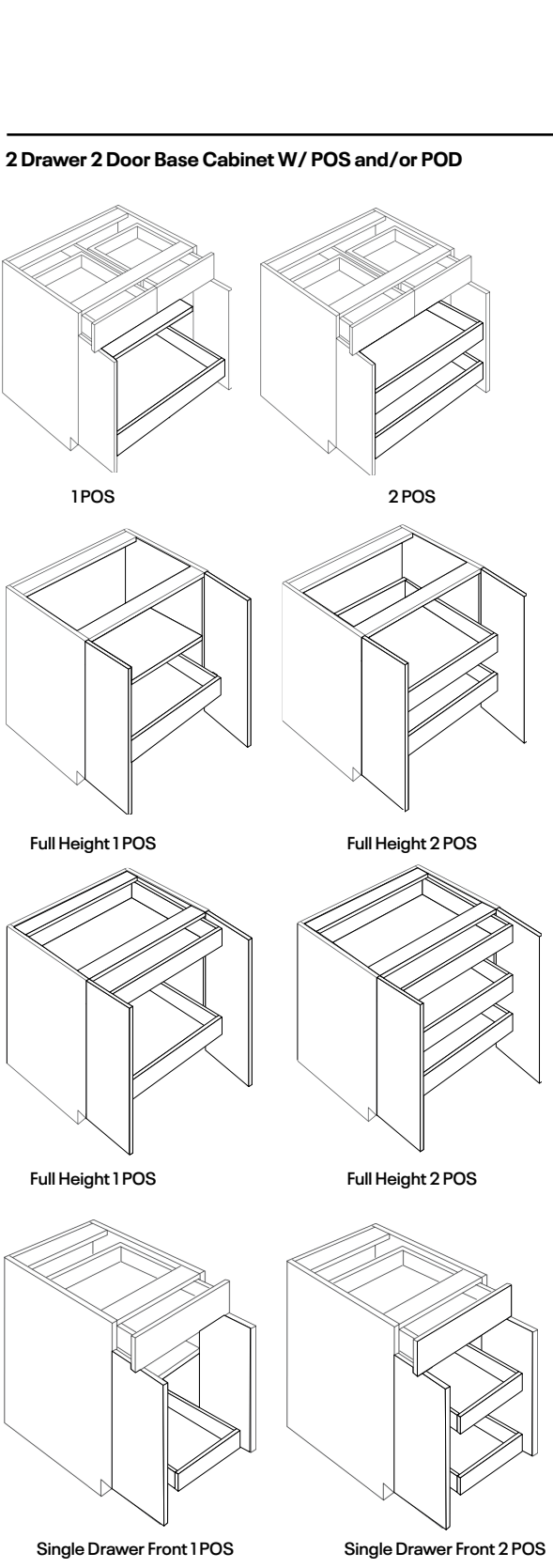


Single Drawer Front

- White Box has metal drawer
- Maple has a solid wood dovetail box, with ball bearing soft close glides (not BLUM)



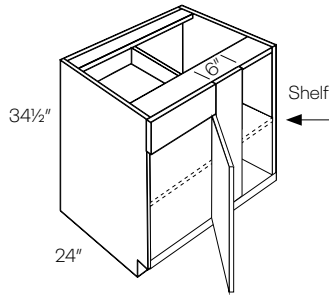
Slab drawer on White Cabinet box POS



Item Number	Plus Program					Alvic	
	E	F	G	H	I	J	K
<b>B30-POS1</b>	1224	1423	1387	1502	1557	1706	1910
<b>B33-POS1</b>	1292	1503	1463	1590	1649	1798	2014
<b>B36-POS1</b>	1357	1579	1534	1669	1731	1884	2110
<b>B42-POS1</b>	1480	1725	1684	1819	1889	1838	2225
<b>B30-POS1-FH</b>	1224	1423	1387	1502	1557	1706	1910
<b>B33-POS1-FH</b>	1292	1503	1463	1590	1649	1798	2014
<b>B36-POS1-FH</b>	1357	1579	1534	1669	1731	1884	2110
<b>B42-POS1-FH</b>	1480	1725	1684	1819	1889	1838	2225
<b>B30-POS2</b>	1568	1767	1731	1896	1951	2066	2314
<b>B33-POS2</b>	1649	1860	1820	1997	2056	2173	2432
<b>B36-POS2</b>	1736	1958	1913	2098	2160	2283	2557
<b>B42-POS2</b>	1875	2120	2079	2248	2318	2916	2698
<b>B30-POS2-FH</b>	1568	1767	1731	1896	1951	2066	2314
<b>B33-POS2-FH</b>	1649	1860	1820	1997	2056	2173	2432
<b>B36-POS2-FH</b>	1736	1958	1913	2098	2160	2283	2557
<b>B42-POS2-FH</b>	1875	2120	2079	2248	2318	2916	2698
<b>B30-FH-POD</b>	1393	1644	1566	1793	1932	N/A	N/A
<b>B30-FH-POS1-POD</b>	1824	2075	1997	2224	2363	N/A	N/A
<b>B30-FH-POS2-POD</b>	2255	2506	2428	2655	2794	N/A	N/A
<b>B33-FH-POD</b>	1472	1740	1657	1899	2048	N/A	N/A
<b>B33-FH-POS1-POD</b>	1918	2186	2103	2345	2494	N/A	N/A
<b>B33-FH-POS2-POD</b>	2364	2632	2549	2791	2940	N/A	N/A
<b>B36-FH-POD</b>	1547	1828	1741	1995	2151	N/A	N/A
<b>B36-FH-POS1-POD</b>	2018	2299	2212	2466	2622	N/A	N/A
<b>B36-FH-POS2-POD</b>	2489	2770	2683	2937	3093	N/A	N/A
<b>B42-FH-POD</b>	1695	2010	1912	2197	2372	N/A	N/A
<b>B42-FH-POS1-POD</b>	2184	2499	2401	2686	2861	N/A	N/A
<b>B42-FH-POS2-POD</b>	2673	2988	2890	3175	3350	N/A	N/A
<b>B30-SDF-POS1</b>	1393	1644	1566	1793	1932	N/A	N/A
<b>B30-SDF-POS2</b>	1824	2075	1997	2224	2363	N/A	N/A
<b>B33-SDF-POS1</b>	1472	1740	1657	1899	2048	N/A	N/A
<b>B33-SDF-POS2</b>	1918	2186	2103	2345	2494	N/A	N/A
<b>B36-SDF-POS1</b>	1547	1828	1741	1995	2151	N/A	N/A
<b>B36-SDF-POS2</b>	2018	2299	2212	2466	2622	N/A	N/A

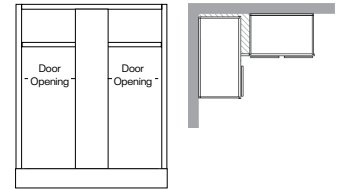
Item Number	Plus Program			Alvic			
	E	F	G	H	I	J	K
<b>BLB36/39</b>	1017	1283	1200	1440	1588	1475	1652
<b>BLB39/42</b>	1049	1323	1238	1486	1638	1522	1705
<b>BLB42/45</b>	1123	1416	1325	1590	1753	1628	1824
<b>BLB45/48</b>	1202	1515	1418	1701	1876	1743	1952

**Blind Base Cabinet**

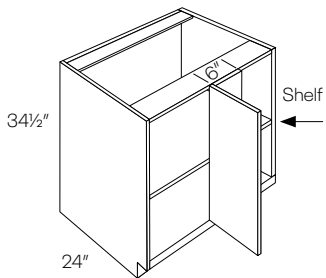


- Reversible Left or Right
- Must be pulled to the minimum position

Cabinet	Min. Pull	Max. Pull	Actual Size	Door	Door Opening
BLB36/39	36"	39"	27"	B9	8.25"
BLB39/42	39"	42"	33"	B12	11.25"
BLB42/45	42"	45"	36"	B15	14.25"
BLB45/48	45"	48"	42"	B18	17.25"



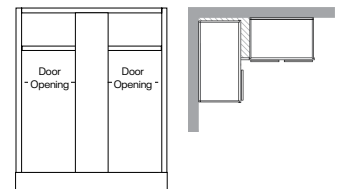
**Full Height Blind Base Cabinet**



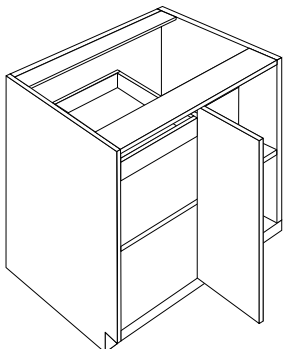
<b>BLB36/39-FH</b>	1017	1283	1200	1440	1588	1475	1652
<b>BLB39/42-FH</b>	1049	1323	1238	1486	1638	1522	1705
<b>BLB42/45-FH</b>	1123	1416	1325	1590	1753	1628	1824
<b>BLB45/48-FH</b>	1202	1515	1418	1701	1876	1743	1952

- Reversible Left or Right
- Must be pulled to the minimum position

Cabinet	Min. Pull	Max. Pull	Actual Size	Door	Door Opening
BLB36/39	36"	39"	27"	B9	8.25"
BLB39/42	39"	42"	33"	B12	11.25"
BLB42/45	42"	45"	36"	B15	14.25"
BLB45/48	45"	48"	42"	B18	17.25"



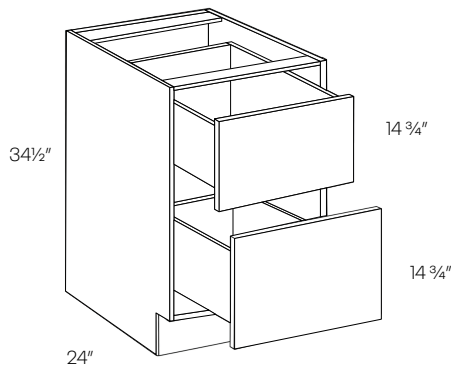
**Full Height Blind Base Cabinet W/ POD**



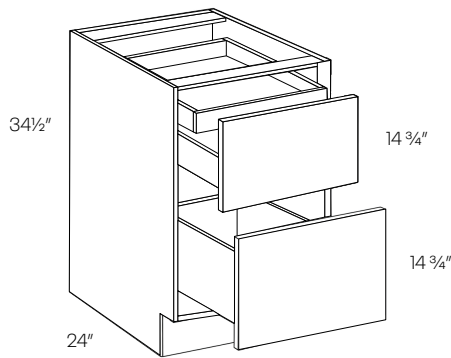
<b>BLB36/39-FH-POD</b>	931	1141	1095	1056	1109	1292	1447
<b>BLB39/42-FH-POD</b>	956	1172	1125	1105	1160	1328	1487
<b>BLB42/45-FH-POD</b>	1024	1255	1204	1294	1358	1423	1593
<b>BLB45/48-FH-POD</b>	1106	1356	1310	1384	1454	1537	1721

Item Number	Plus Program					Alvic	
	E	F	G	H	I	J	K
<b>2 Drawer Base Cabinet</b>							
<b>DB24-2</b>	1146	1445	1352	1623	1789	1662	1861
<b>DB30-2</b>	1236	1559	1459	1750	1929	1792	2007
<b>DB33-2</b>	1297	1636	1531	1837	2025	1881	2107
<b>DB36-2</b>	1349	1701	1592	1910	2106	1957	2191

- Metal drawer walls are 8" high
- Maple drawer walls are 11" high

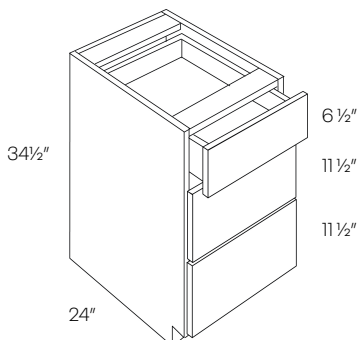


<b>2 Drawer Base Cabinet W/ POD</b>							
<b>DB24-2-POD</b>	969	1188	1142	1651	1733	N/A	N/A
<b>DB30-2-POD</b>	1049	1287	1232	1780	1869	N/A	N/A
<b>DB33-2-POD</b>	1100	1349	1292	1868	1962	N/A	N/A
<b>DB36-2-POD</b>	1175	1440	1343	1943	2040	N/A	N/A

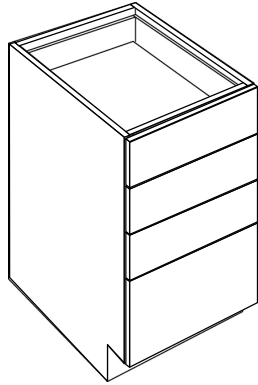


<b>3-Drawer Base Cabinet</b>							
<b>DB12</b>	882	1112	1041	1249	1377	1279	1432
<b>DB15</b>	923	1164	1089	1307	1441	1338	1499
<b>DB18</b>	952	1200	1123	1348	1486	1380	1546
<b>DB21</b>	987	1245	1165	1398	1541	1432	1604
<b>DB24</b>	1022	1288	1206	1447	1595	1482	1659
<b>DB27</b>	1048	1322	1237	1484	1637	1520	1703
<b>DB30</b>	1116	1407	1317	1580	1742	1619	1813
<b>DB33</b>	1297	1636	1531	1837	2025	1881	2107
<b>DB36</b>	1206	1521	1423	1708	1883	1749	1959

- Maple drawer walls are 8" high

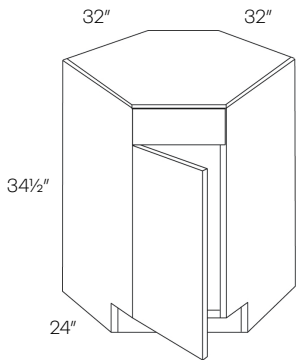


Item Number	Plus Program					Alvic	
	E	F	G	H	I	J	K
<b>4-Drawer Base Cabinet</b>							
<b>DB12-4</b>	882	1112	1041	1249	1377	N/A	N/A
<b>DB15-4</b>	923	1164	1089	1307	1441	N/A	N/A
<b>DB18-4</b>	952	1200	1123	1348	1486	N/A	N/A
<b>DB21-4</b>	987	1245	1165	1398	1541	N/A	N/A
<b>DB24-4</b>	1022	1288	1206	1447	1595	N/A	N/A

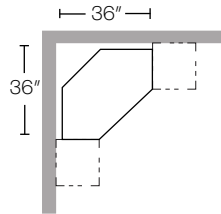


**Diagonal Corner Sink Base Cabinet**

<b>CSB36L</b>	1542	1945	1820	2184	2408	2237	2505
<b>CSB36R</b>	1542	1945	1820	2184	2408	2237	2505

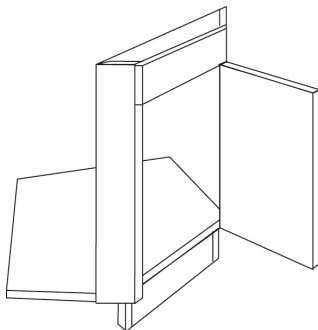


- Full height available for same price
- Requires 36"x36" wall space
- Matching edgebanding will be applied on vertical edge frame

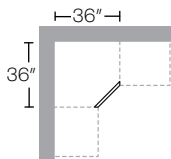


**Diagonal Corner Sink Front**

<b>CSF36*</b>	409	516	483	579	638	593	664
<b>CSFFL36 (Floor)</b>	193	243	173	208	218	279	312

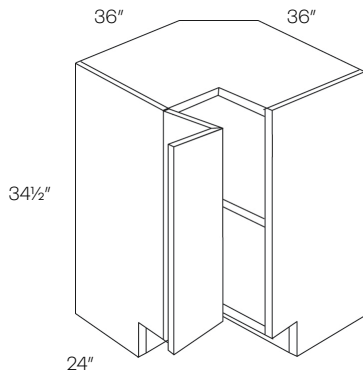


- \*Requires 36"x36" wall space
- \*Requires a floor (sold separately)
- CSF36 ships together with CSFFL36
- For CSF36, matching edgeband will be applied on vertical edge frame

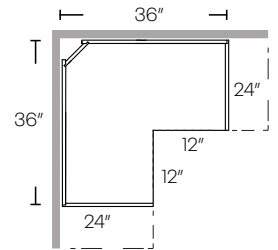


Item Number	Plus Program					Alvic	
	E	F	G	H	I	J	K
<b>Easy Reach Corner Base Cabinet</b> ER36R	1542	1945	1820	2184	2408	2237	2505
ER36L	1542	1945	1820	2184	2408	2237	2505

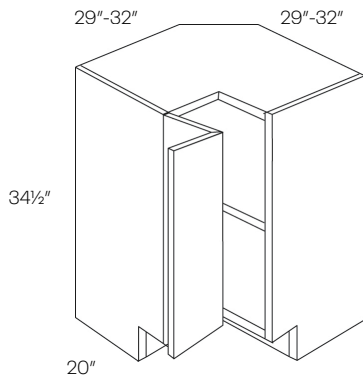
**Easy Reach Corner Base Cabinet**



- Available in left or right hinge
- Left hand shown

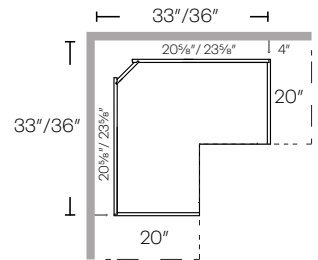


**Base Square Corner Cabinet**

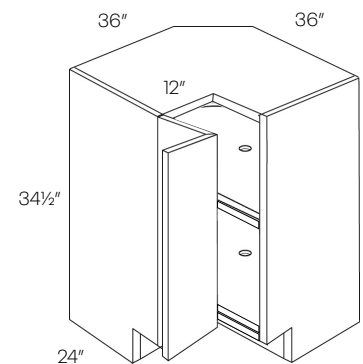


<b>BSQC33R</b>	1594	2011	1882	2258	2489	2312	2590
BSQC33L	1594	2011	1882	2258	2489	2312	2590
<b>BSQC36R</b>	1594	2011	1882	2258	2489	2312	2590
BSQC36L	1594	2011	1882	2258	2489	2312	2590

- Available in left or right hinge
- Left hand shown

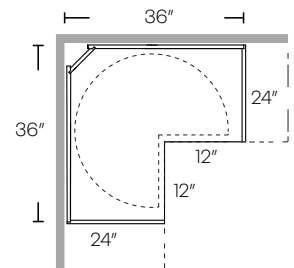


**Lazy Susan Corner Base Cabinet**



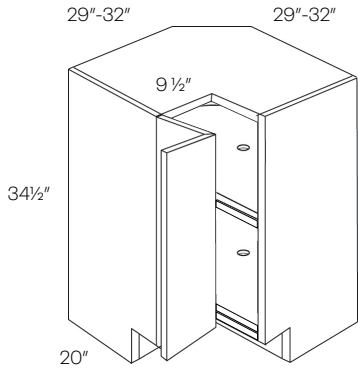
<b>LS36R</b>	1652	2084	1950	2340	2579	2396	2684
LS36L	1652	2084	1950	2340	2579	2396	2684

- Requires 36"x36" wall space
- Pie cut for 36" is 12"
- Available in left or right hinge
- Natural wood lazy susan
- Left hand shown
- Metal Rev-a-Shelf upgrade available

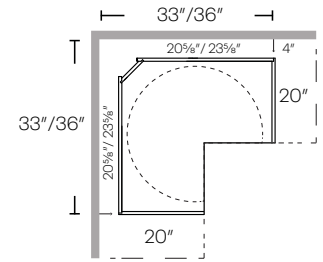


Item Number	Plus Program			Alvic			
	E	F	G	H	I	J	K
<b>CAR33R</b>	1652	2084	1950	2340	2579	2396	2684
<b>CAR33L</b>	1652	2084	1950	2340	2579	2396	2684
<b>CAR36R</b>	1652	2084	1950	2340	2579	2396	2684
<b>CAR36L</b>	1652	2084	1950	2340	2579	2396	2684

**Carousel Corner Base Cabinet**

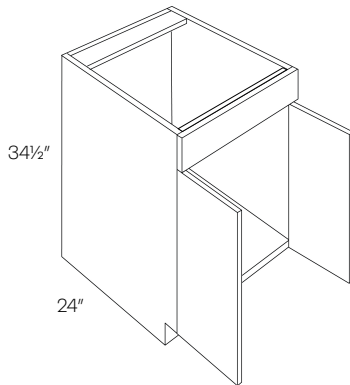


- Requires 33"x33" / 36"x36" wall space
- Pie cut for 33" is 9" for 36" is 12"
- Available in left or right hinge
- Natural wood lazy susan
- Left hand shown



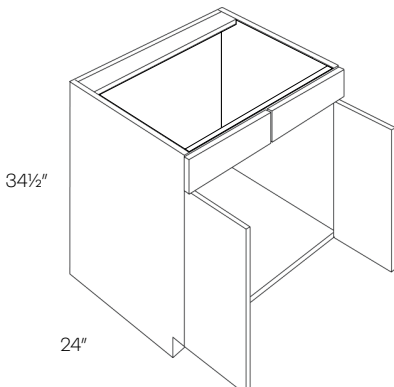
**1 Drawer Front 2 Door Sink Base Cabinet**

<b>SB24</b>	753	950	889	1066	1176	1092	1223
<b>SB27</b>	809	1020	954	1145	1262	1173	1313

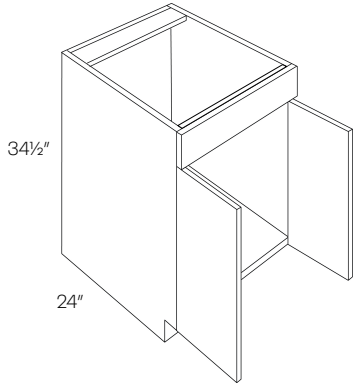


**2 Drawer Front 2 Door Sink Base Cabinet**

<b>SB30</b>	856	1080	1011	1213	1337	1242	1391
<b>SB33</b>	907	1144	1071	1285	1416	1316	1474
<b>SB36</b>	930	1172	1097	1316	1451	1348	1510
<b>SB39</b>	953	1202	1124	1349	1488	1382	1548
<b>SB42</b>	974	1228	1149	1379	1520	1412	1582

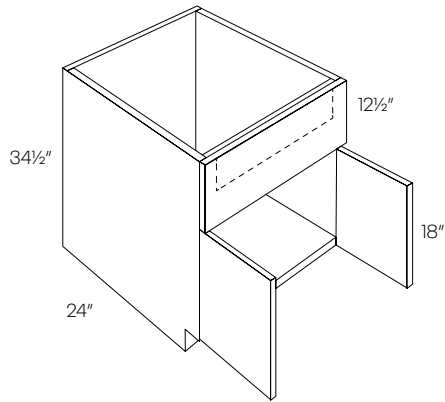


Item Number	Plus Program					Alvic	
	E	F	G	H	I	J	K
<b>1 Drawer Front 2 Door Sink Base Cabinet</b>							
<b>SB30-SDF</b>	856	1080	1011	1213	1337	N/A	N/A
<b>SB33-SDF</b>	907	1144	1071	1285	1416	N/A	N/A
<b>SB36-SDF</b>	930	1172	1097	1316	1451	N/A	N/A



**2 Door Farm Sink Base Cabinet**

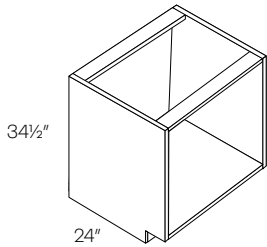
<b>SB30-FS</b>	992	1251	1171	1405	1549	1439	1612
<b>SB33-FS</b>	1056	1332	1247	1496	1649	1532	1716
<b>SB36-FS</b>	945	1191	1115	1337	1475	1370	1534



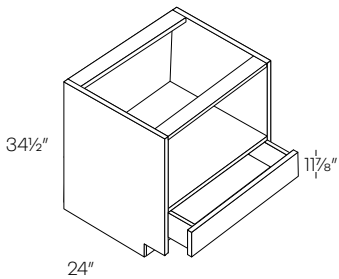
- Max trimmable 27"/30"/33" X 10"
- Trimming to be done in field
- Has a fixed platform

Item Number	Plus Program			Alvic			
	E	F	G	H	I	J	K
<b>OVB30</b>	682	860	805	966	1065	989	1108
<b>MCB24</b>	750	945	885	1062	1170	1087	1218
<b>MCB24-TRM</b>	314	395	N/A	339	356	455	509
<b>MCB27</b>	806	1017	952	1142	1259	1169	1310
<b>MCB27-TRM</b>	345	434	N/A	372	391	500	559
<b>MCB30</b>	856	1080	1011	1213	1337	1242	1391
<b>MCB30-TRM</b>	376	474	N/A	406	426	545	610

Oven & Microwave Base Cabinet



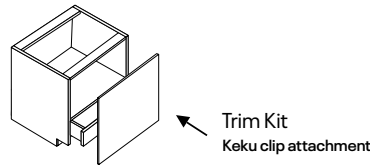
OVB



MCB

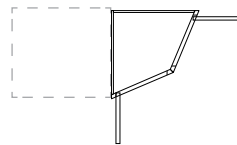
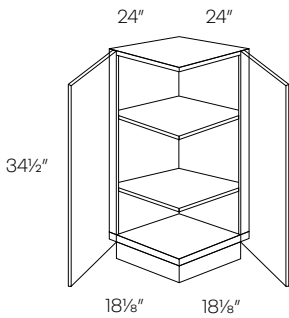
• OVB Front opening is 28 1/2" x 29"

Cabinet	Front Opening Dimension	Trim Kit Dimensions
MCB24	22 1/2" x 17 3/4"	23 7/8" x 18 1/8"
MCB27	25 1/2" x 17 3/4"	26 7/8" x 18 1/8"
MCB30	28 1/2" x 17 3/4"	29 7/8" x 18 1/8"



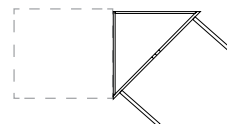
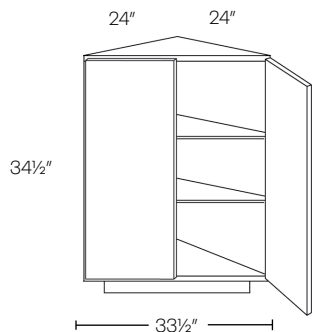
Base End Cabinet

Item Number	E	F	G	H	I	J	K
<b>BEC24</b>	704	888	831	997	1099	1021	1144



Base End Straight Cabinet

Item Number	E	F	G	H	I	J	K
<b>BECS24</b>	785	990	927	1112	1226	1139	1275



Plus Program

Alvic

Item Number

E

F

G

H

I

J

K

Angle Base End Cabinet

**BTC2412**

565

713

667

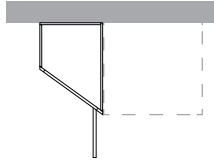
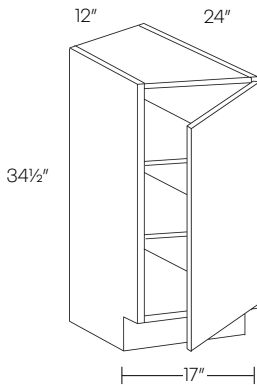
801

883

820

918

- Reversible
- Loose Toe Kick
- Hinged on 24"



Waste Basket Cabinet

**BWBK15  
(1 basket)**

1144

1442

1350

1620

1786

1659

1858

**BWBK18  
(2 basket)**

1266

1596

1494

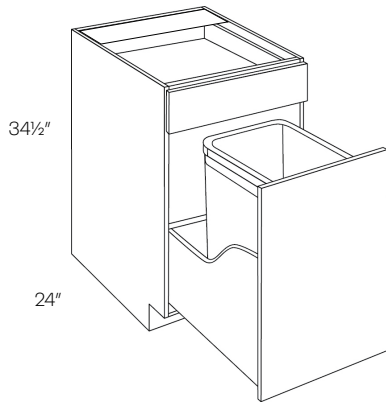
1793

1976

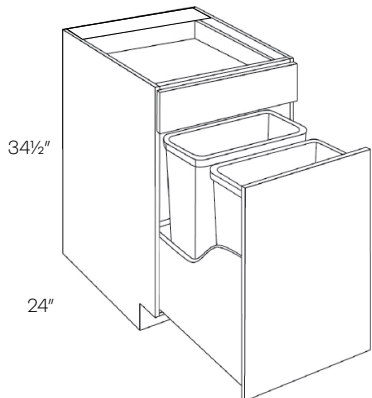
1836

2056

- BWBK15 includes 35qt. waste basket
- BWBK18 includes 2-35qt. waste baskets
- Undermount soft-close glides
- Solid wood dovetail box



**BWBK15**



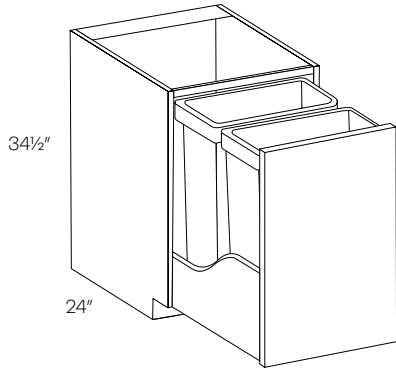
**BWBK18**

Item Number	Plus Program			Alvic		
	E	F	G	H	I	J

**Full Height Double Waste Basket Cabinet**

BWBK21-FH	1395	1759	1646	1975	2177	2023	2265
-----------	------	------	------	------	------	------	------

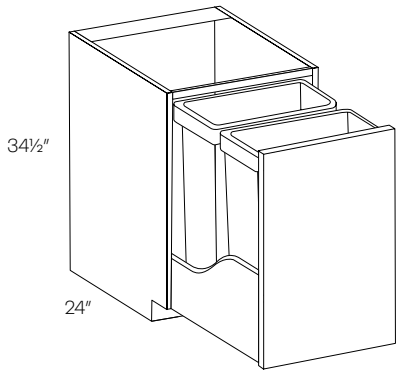
- Includes two 50qt. waste baskets
- Undermount soft-close glides
- Solid wood dovetail box



**Waste Basket Cabinet**

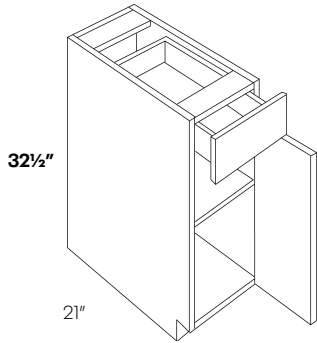
BWBK21-FH,POD	980	1202	1073	1318	1384	1362	1527
---------------	-----	------	------	------	------	------	------

- Includes two 50qt. waste baskets
- Undermount soft-close glides
- Solid wood dovetail box



Item Number	Plus Program					Alvic	
	E	F	G	H	I	J	K

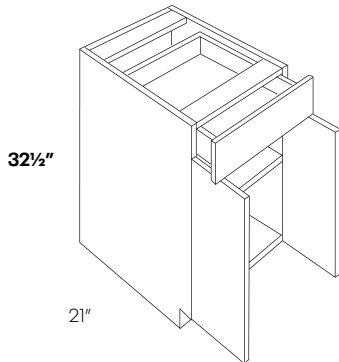
**Single Door Base Cabinet**



<b>B9-HA</b>	496	625	N/A	N/A	N/A	719	805
<b>B12-HA</b>	570	719	N/A	N/A	N/A	826	926
<b>B15-HA</b>	597	752	N/A	N/A	N/A	865	969
<b>B18-HA</b>	627	790	N/A	N/A	N/A	909	1018
<b>B21-HA</b>	714	901	N/A	N/A	N/A	1036	1160

\* Please note, Handicap Accessible cabinets may not meet ADA requirements

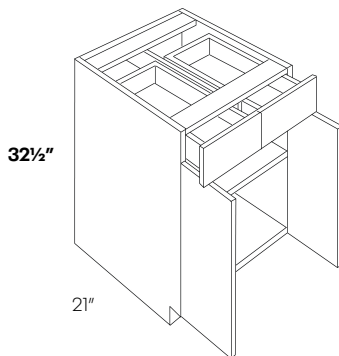
**Single Door Double Drawer Base Cabinet**



<b>B24-HA</b>	799	1007	N/A	N/A	N/A	1158	1297
<b>B27-HA</b>	883	1113	N/A	N/A	N/A	1280	1434

\* Please note, Handicap Accessible cabinets may not meet ADA requirements

**Double Door Double Drawer Base Cabinet**

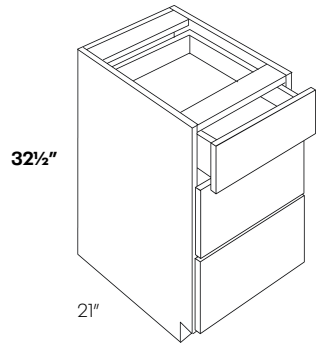


<b>B30-HA</b>	962	1213	N/A	N/A	N/A	1395	1562
<b>B33-HA</b>	1026	1294	N/A	N/A	N/A	1488	1667
<b>B36-HA</b>	1076	1357	N/A	N/A	N/A	1561	1748
<b>B39-HA</b>	1145	1444	N/A	N/A	N/A	1660	1860

\* Please note, Handicap Accessible cabinets may not meet ADA requirements

Item Number	Plus Program			Alvic			
	E	F	G	H	I	J	K
<b>Three Drawer Base Cabinet</b>							
DB12-HA	882	1112	N/A	N/A	N/A	1279	1432
DB15-HA	923	1164	N/A	N/A	N/A	1338	1499
DB18-HA	952	1200	N/A	N/A	N/A	1380	1546

\* Please note, Handicap Accessible cabinets may not meet ADA requirements

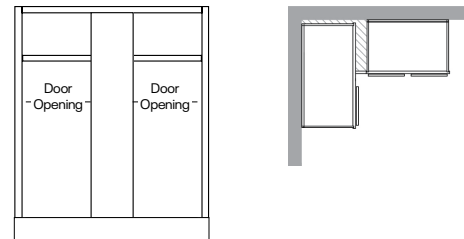
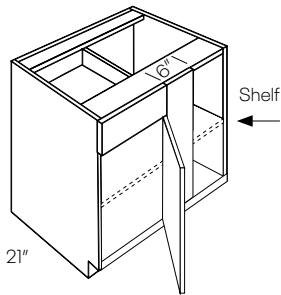


Blind Base Cabinet

<b>BLB36/39-HA</b>	1017	1283	N/A	N/A	N/A	1475	1652
--------------------	------	------	-----	-----	-----	------	------

- Reversible Left or Right
- Must be pulled to the minimum position
- \* Please note, Handicap Accessible cabinets may not meet ADA requirements

Cabinet	Min. Pull	Max. Pull	Actual Size	Door	Door Opening
BLB36/39	36"	39"	27"	B9	8.25"

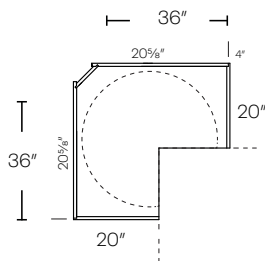
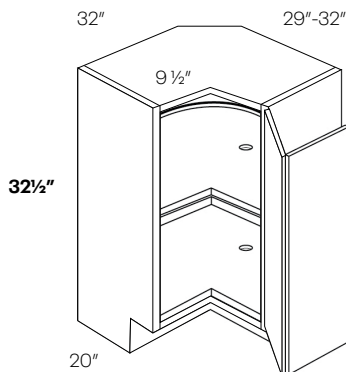


Lazy Susan Corner Base Cabinet

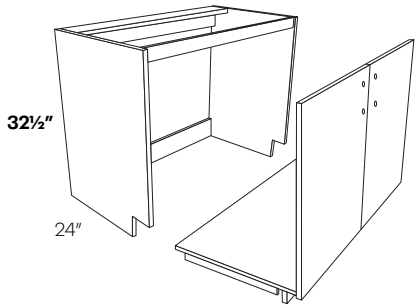
<b>CAR36L-HA</b>	1652	2084	N/A	N/A	N/A	2394	2684
<b>CAR36R-HA</b>	1652	2084	N/A	N/A	N/A	2394	2684

\* Please note, Handicap Accessible cabinets may not meet ADA requirements

- Requires 33"x33" / 36"x36" wall space
- Pie cut for 33" is 9" for 36" is 12"
- Available in left or right hinge
- Natural wood lazy susan

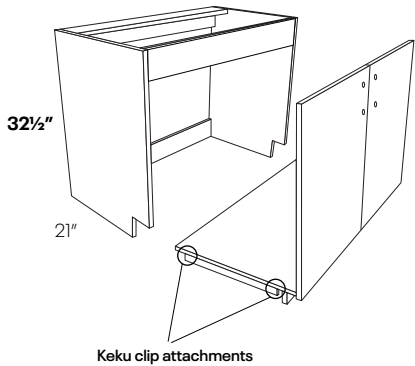


Item Number	Plus Program					Alvic	
	E	F	G	H	I	J	K
<b>Removable Sink Base</b> <b>SB30-HR</b>	1199	1512	N/A	N/A	N/A	1738	1947
<b>SB33-HR</b>	1270	1602	N/A	N/A	N/A	1842	2063
<b>SB36-HR</b>	1301	1641	N/A	N/A	N/A	1887	2113

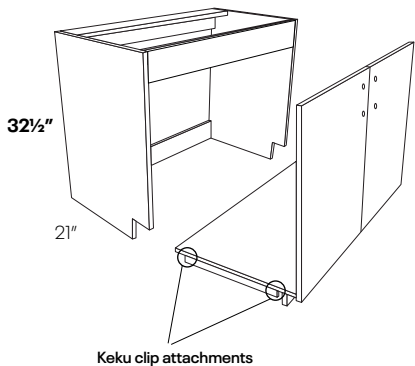


\* Please note, Handicap Removable cabinets may not meet ADA requirements

<b>1 Drawer Removable Vanity Sink Base</b> <b>B15-HA</b>	597	752	N/A	N/A	N/A	865	969
<b>B18-HA</b>	627	790	N/A	N/A	N/A	909	1018
<b>B21-HA</b>	714	901	N/A	N/A	N/A	1036	1160



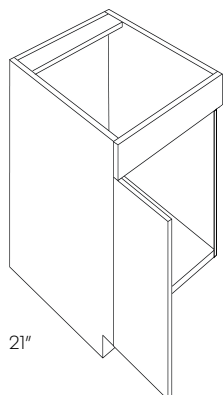
<b>Removable Vanity Base</b> <b>V30-HR</b>	931	1175	N/A	N/A	N/A	1351	1513
<b>V33-HR</b>	1441	1817	N/A	N/A	N/A	2090	2341
<b>V36-HR</b>	1126	1420	N/A	N/A	N/A	1632	1828



\* Please note, Handicap Removable cabinets may not meet ADA requirements  
• Keku connection on the floor

Item Number	Plus Program			Alvic		
	E	F	G	H	I	J

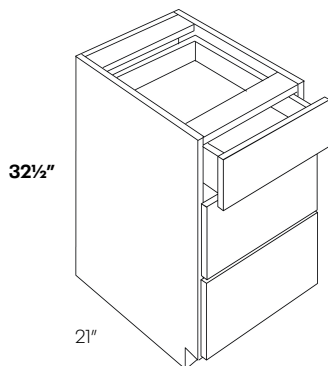
Vanity Sink Base Cabinet



V24-HA	496	594	N/A	N/A	N/A	684	766
V30-HA	665	839	N/A	N/A	N/A	965	1081
V36-HA	804	1014	N/A	N/A	N/A	1166	1306

\* Please note, Handicap Accessible cabinets may not meet ADA requirements

Vanity Drawer Base Cabinet

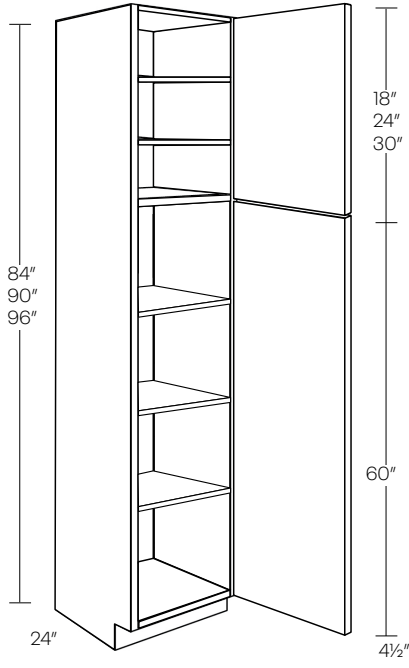


VDB12-HA	874	1102	N/A	N/A	N/A	1268	1420
VDB15-HA	926	1168	N/A	N/A	N/A	1343	1504
VDB18-HA	948	1196	N/A	N/A	N/A	1375	1540

\* Please note, Handicap Accessible cabinets may not meet ADA requirements

Item Number	Plus Program					Alvic	
	E	F	G	H	I	J	K
<b>PC1524x84</b>	1904	2401	N/A	N/A	N/A	N/A	N/A
<b>PC1524x90</b>	2096	2644	N/A	N/A	N/A	N/A	N/A
<b>PC1524x96*</b>	2305	2907	N/A	N/A	N/A	N/A	N/A
<b>PC1824x84</b>	1901	2397	N/A	N/A	N/A	N/A	N/A
<b>PC1824x90</b>	2166	2732	N/A	N/A	N/A	N/A	N/A
<b>PC1824x96</b>	2472	3118	N/A	N/A	N/A	N/A	N/A
<b>PC2424x84</b>	2188	2760	N/A	N/A	N/A	N/A	N/A
<b>PC2424x90</b>	2498	3150	N/A	N/A	N/A	N/A	N/A
<b>PC2424x96</b>	2763	3485	N/A	N/A	N/A	N/A	N/A
<b>PC3024x84</b>	2298	2898	N/A	N/A	N/A	N/A	N/A
<b>PC3024x90</b>	2623	3309	N/A	N/A	N/A	N/A	N/A
<b>PC3024x96</b>	2902	3660	N/A	N/A	N/A	N/A	N/A

**Pantry Cabinet**



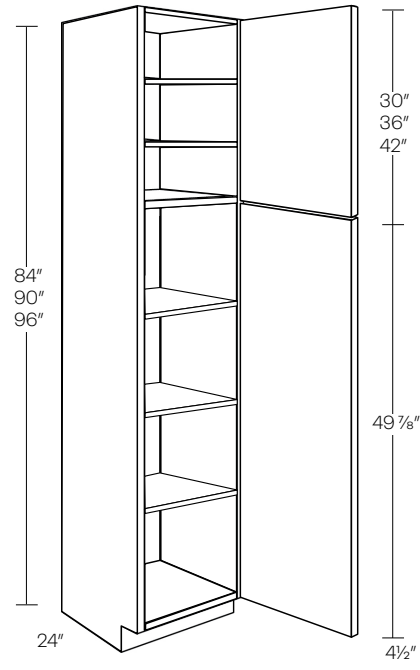
- Undermounted soft-close glides
- Adjustable shelves
- Fixed shelf between doors

- White Satin Box: Metal box construction; BLUM upgrade available
- Maple Box: Maple box with dovetail construction; BLUM not available

\* 84" and 90" has 2 upper shelves  
 \* 96" has 3 upper shelves

Item Number	Plus Program			Alvic		
	E	F	G	H	I	J

Single Door Utility Cabinet



<b>UC1524X84</b>	1904	2401	2247	2696	2973	2762	3093
<b>UC1524X90</b>	2096	2644	2474	2968	3273	3040	3405
<b>UC1524X96*</b>	2305	2907	2720	3264	3598	3343	3744
<b>UC1824X84</b>	1901	2397	2243	2692	2968	2757	3088
<b>UC1824X90</b>	2166	2732	2556	3067	3382	3142	3519
<b>UC1824X96*</b>	2472	3118	2918	3501	3860	3586	4016
<b>POS15-3</b>	999	999	999	999	999	999	999
<b>POS15-4</b>	1332	1332	1332	1332	1332	1332	1332
<b>POS18-3</b>	1071	1071	1071	1071	1071	1071	1071
<b>POS18-4</b>	1428	1428	1428	1428	1428	1428	1428

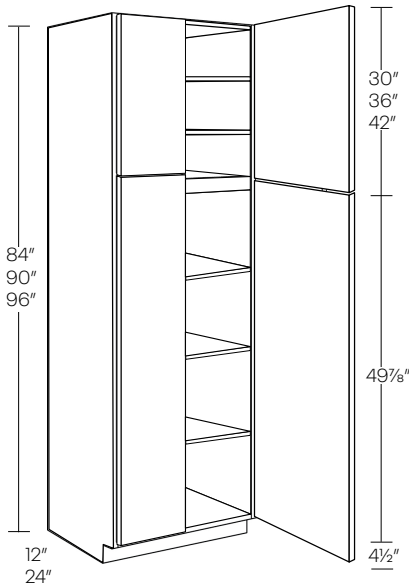
- POS price is in addition to the cabinet list price
- POS will be factory installed
- POS not available in 12" deep UC
- Undermounted soft-close glides
- Adjustable shelves
- Fixed shelf between doors

- White Satin Box: Metal box construction; BLUM upgrade available
- Maple Box: Maple box with dovetail construction; BLUM not available

- \* 84" and 90" has 2 upper shelves
- \* 96" has 3 upper shelves

Item Number	Plus Program					Alvic	
	E	F	G	H	I	J	K

**Double Door Utility Cabinet**

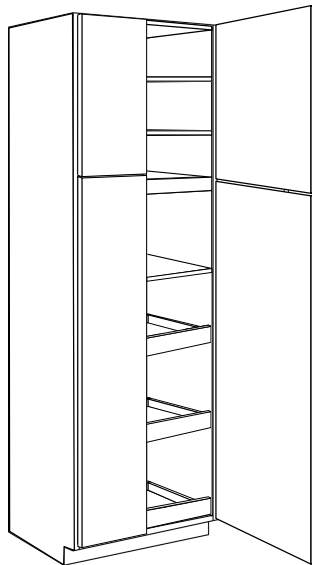


<b>UC2412X84</b>	2067	2607	2440	2928	3228	2998	3358
<b>UC2412X90</b>	2274	2868	2683	3220	3550	3298	3693
<b>UC2412X96*</b>	2501	3155	2952	3542	3905	3628	4063
<b>UC2424X84</b>	2188	2760	2583	3099	3416	3174	3555
<b>UC2424X90</b>	2498	3150	2948	3537	3900	3623	4058
<b>UC2424X96*</b>	2763	3485	3261	3913	4314	4008	4489
<b>UC3024X84</b>	2298	2898	2712	3255	3588	3333	3733
<b>UC3024X90</b>	2623	3309	3096	3715	4096	3805	4261
<b>UC3024X96*</b>	2902	3660	3425	4110	4531	4209	4714
<b>POS24-3</b>	1215	1215	1215	1215	1215	1215	1215
<b>POS24-4</b>	1620	1620	1620	1620	1620	1620	1620
<b>POS30-3</b>	1293	1293	1293	1293	1293	1293	1293
<b>POS30-4</b>	1724	1724	1724	1724	1724	1724	1724

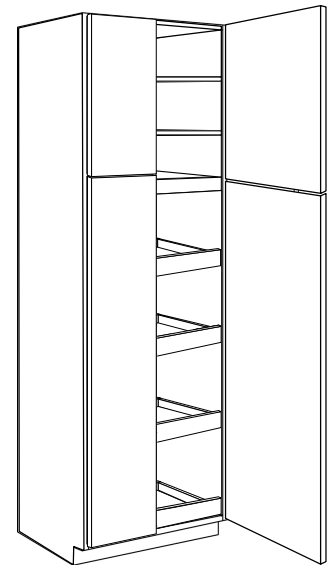
- POS price is in addition to the cabinet list price
- POS will be factory installed
- POS not available in 12" deep UC
- Undermounted soft-close glides
- Adjustable shelves
- Fixed shelf between doors

- White Satin Box: Metal box construction; BLUM upgrade available
- Maple Box: Maple box with dovetail construction; BLUM not available

\* 84" and 90" has 2 upper shelves  
 \* 96" has 3 upper shelves



POS-3



POS-4

Plus Program

Alvic

Item Number

E

F

G

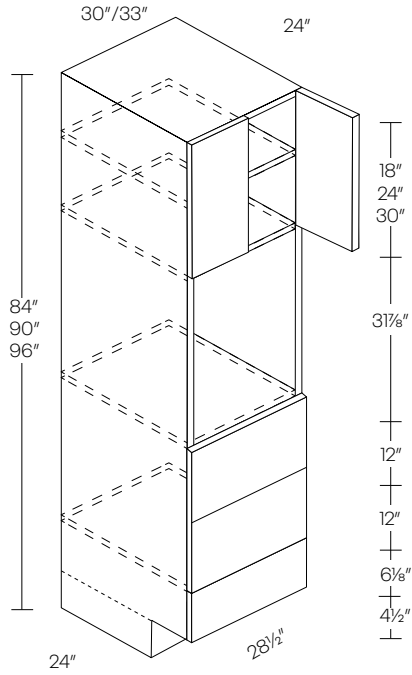
H

I

J

K

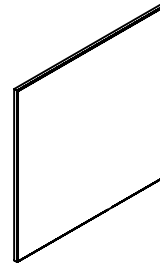
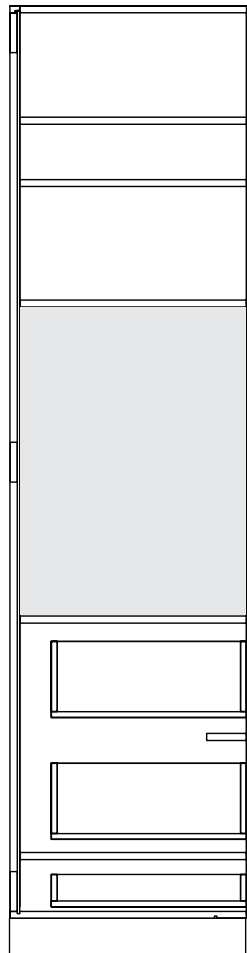
Oven Cabinet



Item Number	Plus Program			Alvic			
	E	F	G	H	I	J	K
<b>OV3084</b>	2066	2606	2438	2926	3226	2997	3356
<b>OV3090</b>	2378	2999	2807	3368	3713	3449	3863
<b>OV3096*</b>	2690	3393	3175	3809	4200	3902	4370
<b>OV3384</b>	2112	2663	2492	2990	3297	3063	3430
<b>OV3390</b>	2426	3059	2863	3435	3787	3518	3940
<b>OV3396</b>	2734	3449	3227	3872	4269	3966	4442

- Has 2 upper shelves
- Trim kit included
- Maximum vertical opening is 52.5"
- For double wall ovens, remove drawers as needed

Side



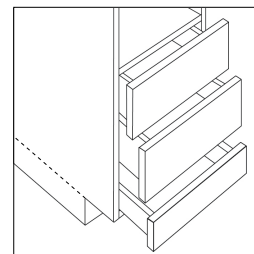
Trim Kit

Keku clip attachment  
\*Clips shipped loose

OV30-TRM: 29.5" X 29.75"

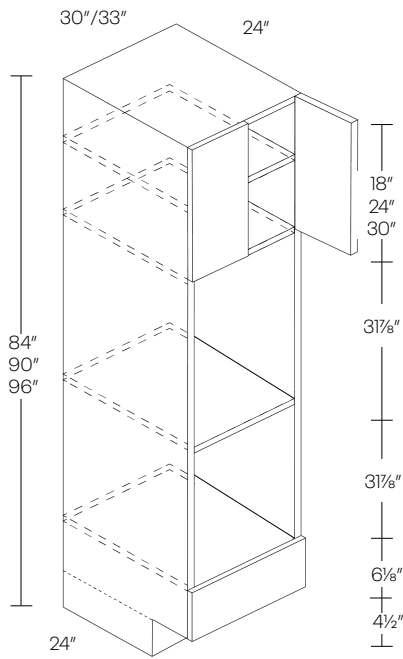
OV33-TRM: 29.5" x 32.75"

Bottom drawers open



Item Number	Plus Program					Alvic	
	E	F	G	H	I	J	K

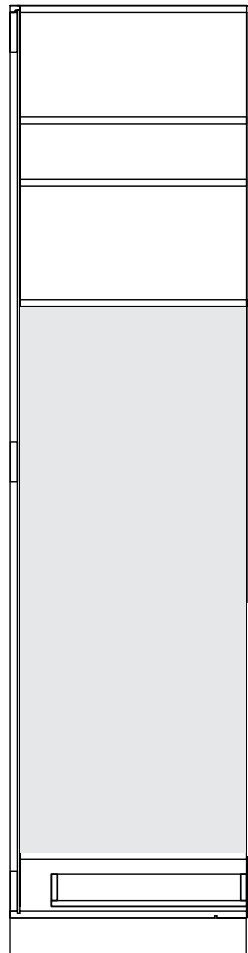
**Double Oven Cabinet**



<b>OVD3084</b>	1992	2512	2351	2821	3110	2889	3235
<b>OVD3090</b>	2300	2901	2715	3258	3592	3336	3737
<b>OVD3096*</b>	2612	3295	3083	3699	4079	3789	4243
<b>OVD3384</b>	2112	2663	2492	2990	3297	3063	3430
<b>OVD3390</b>	2426	3059	2863	3435	3787	3518	3940
<b>OVD3396*</b>	2746	3463	3240	3888	4287	3982	4460

- \* Has 2 upper shelves
- Trim kit included
- Maximum vertical opening is 52.5"
- For double wall ovens, remove drawers as needed

Side

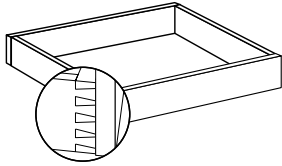


Trim Kit  
Keku clip attachment  
\*Clips shipped loose

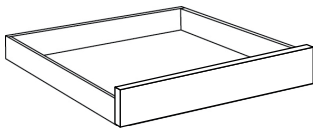
OVD30-TRM: 54.5" X 29.75"  
OVD33-TRM: 54.5" x 32.75"

Fixed Shelf

**Pull Out Shelf**



POS - Maple Cabinet Box



POS - White Cabinet Box

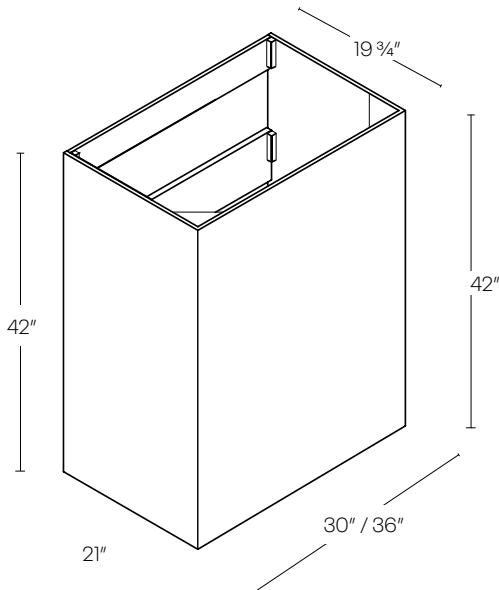
Item Number	Plus Program			Alvic			
	E	F	G	H	I	J	K
<b>POS12</b>	248	313	223	268	281	360	403
<b>POS15</b>	259	327	233	280	294	376	421
<b>POS18</b>	286	360	257	309	324	414	464
<b>POS21</b>	300	378	270	324	341	435	487
<b>POS24</b>	339	427	305	366	385	492	550
<b>POS27</b>	353	446	318	382	401	512	574
<b>POS30</b>	368	464	331	398	418	533	597
<b>POS33</b>	385	485	346	416	436	558	624
<b>POS36</b>	412	520	371	446	468	598	669
<b>POS42</b>	432	545	389	467	491	627	702

- Ball bearing soft-close glides included
- POS uses dovetail construction
- Two spacers required
- Side mounted soft-close glides
- BLUM glides not available on POS

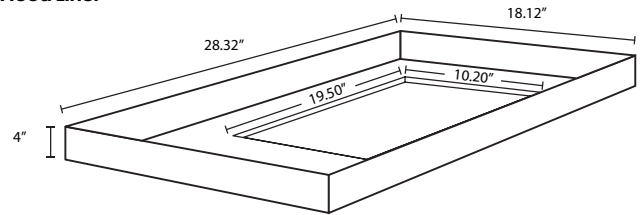
**Modern Wood Hood**

<b>WHM30</b>	N/A	N/A	3686	4423	4876	N/A	N/A
<b>WHM36</b>	N/A	N/A	4422	5306	5850	N/A	N/A

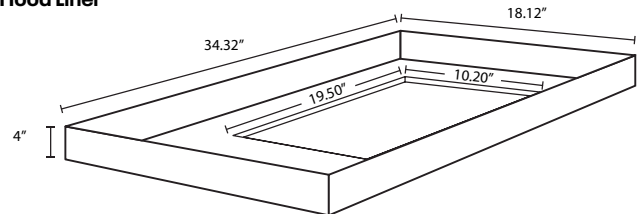
- Metal Liners Included



**30" Hood Liner**

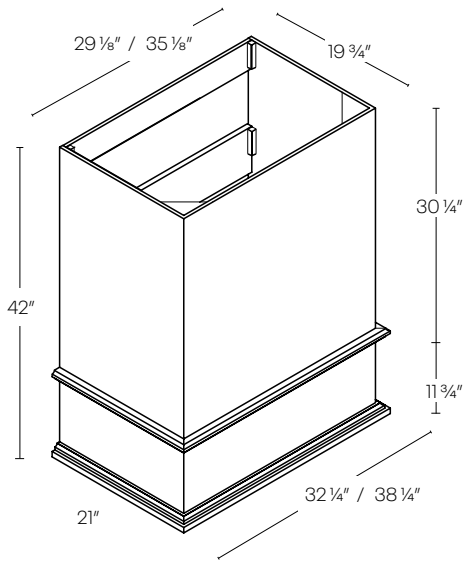


**36" Hood Liner**



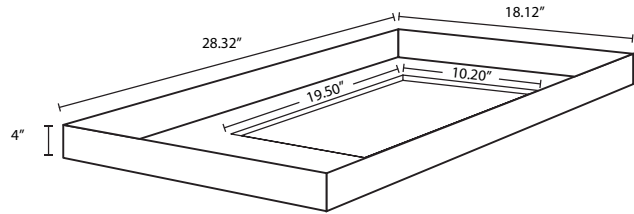
Item Number	Plus Program					Alvic	
	E	F	G	H	I	J	K
<b>WHB30</b>	N/A	N/A	2500	2500	3000	N/A	N/A
<b>WHB36</b>	N/A	N/A	3000	3000	3600	N/A	N/A

**Boxed Wood Hood**

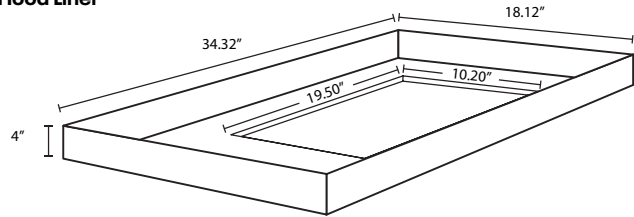


•Metal Liners Included

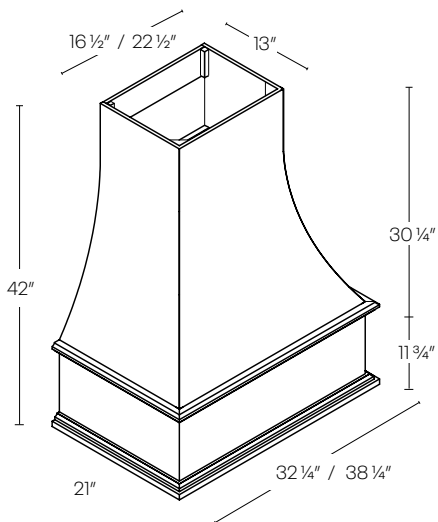
**30" Hood Liner**



**36" Hood Liner**



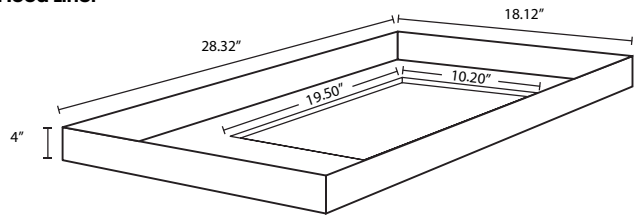
**Coved Wood Hood**



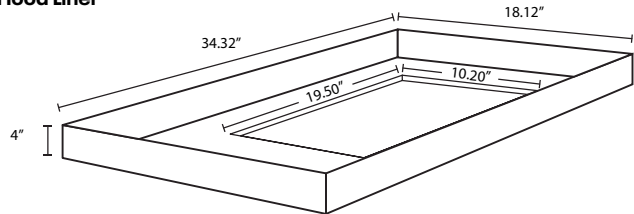
<b>WHC30</b>	N/A	N/A	2500	2500	3000	N/A	N/A
<b>WHC36</b>	N/A	N/A	3000	3000	3600	N/A	N/A

•Metal Liners Included

**30" Hood Liner**

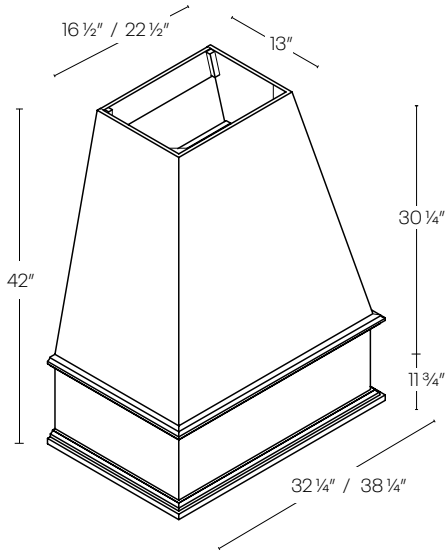


**36" Hood Liner**



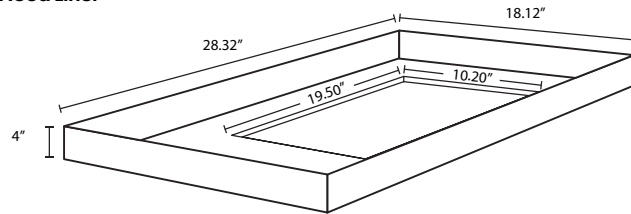
Item Number	Plus Program			Alvic			
	E	F	G	H	I	J	K
<b>WHS30</b>	N/A	N/A	2500	2500	3000	N/A	N/A
<b>WHS36</b>	N/A	N/A	3000	3000	3600	N/A	N/A

**Sloped Wood Hood**

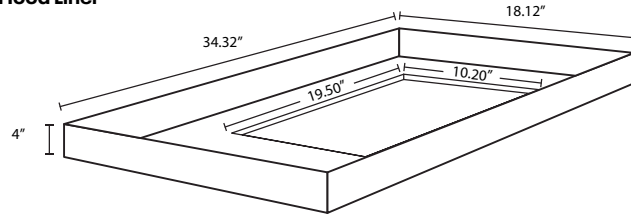


•Metal Liners Included

**30" Hood Liner**



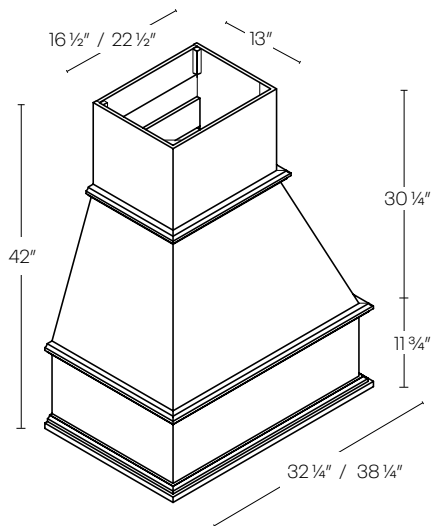
**36" Hood Liner**



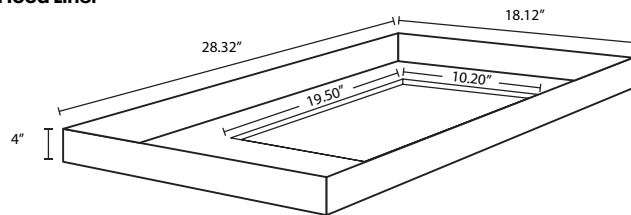
**Traditional Wood Hood**

<b>WHT30</b>	N/A	N/A	2500	2500	3000	N/A	N/A
<b>WHT36</b>	N/A	N/A	3000	3000	3600	N/A	N/A

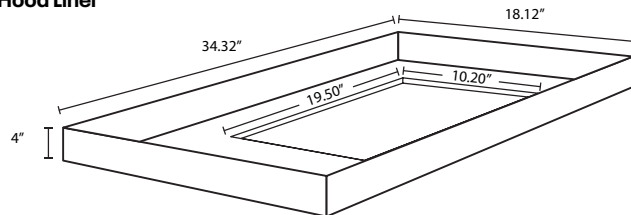
•Metal Liners Included



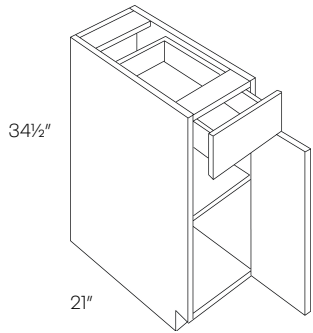
**30" Hood Liner**



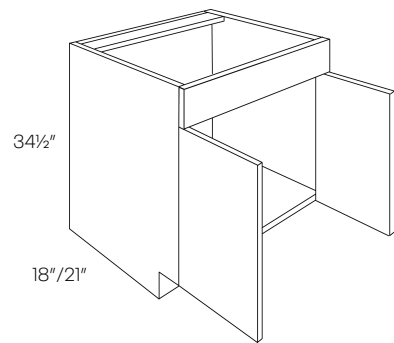
**36" Hood Liner**



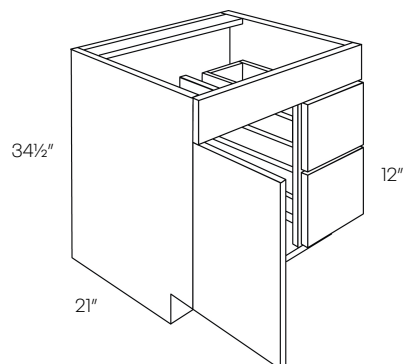
Item Number	Plus Program					Alvic	
	E	F	G	H	I	J	K
<b>1 Door Vanity Base Cabinet</b>							
<b>VB12</b>	547	689	645	774	853	793	888
<b>VB15</b>	573	723	676	812	895	831	931
<b>VB18</b>	600	756	708	849	936	870	974



<b>2 Door Vanity Base Cabinet</b>							
<b>V2418</b>	493	622	582	698	770	715	801
<b>V3018</b>	627	790	739	887	978	909	1018
<b>V24</b>	534	674	631	757	834	775	868
<b>V27</b>	590	744	696	835	921	855	958
<b>V30</b>	665	839	785	942	1039	965	1081
<b>V33</b>	1029	1298	1215	1458	1607	1493	1672
<b>V36</b>	804	1014	949	1139	1255	1166	1306



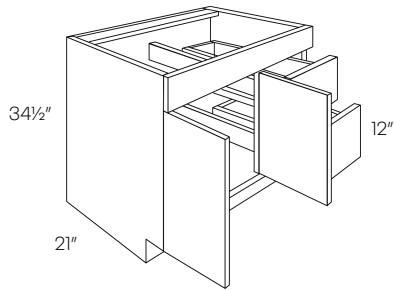
<b>1 Door 2 Drawer Vanity Base Cabinet</b>							
<b>V30DL</b>	1105	1393	1304	1565	1725	1602	1795
<b>V30DR</b>	1105	1393	1304	1565	1725	1602	1795



Item Number	Plus Program			Alvic		
	E	F	G	H	I	J

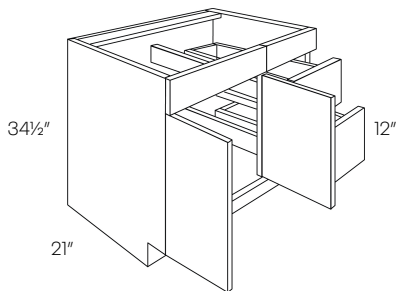
**2 Door 2 Drawer Vanity Base Cabinet**

<b>V36DL</b>	1189	1500	1404	1684	1857	1725	1932
<b>V36DR</b>	1189	1500	1404	1684	1857	1725	1932



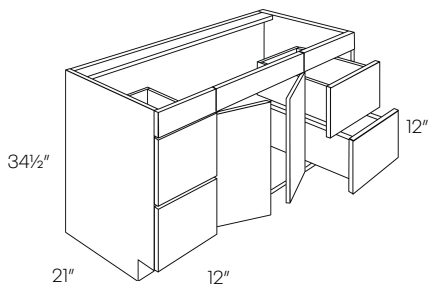
**2 Door 2 Drawer Vanity Base Cabinet**

<b>V42DL</b>	1207	1522	1424	1709	1884	1751	1961
<b>V42DR</b>	1207	1522	1424	1709	1884	1751	1961

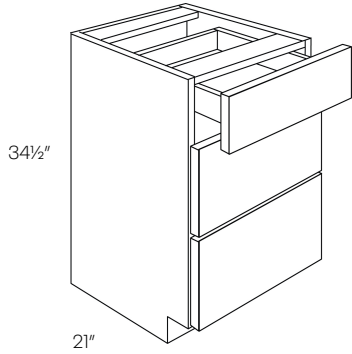


**2 Door & Drawer Vanity Base Cabinet**

<b>V48DD</b>	1379	1739	1628	1953	2153	2000	2240
--------------	------	------	------	------	------	------	------

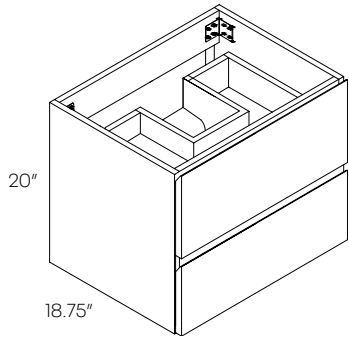


Item Number	Plus Program					Alvic	
	E	F	G	H	I	J	K
<b>Vanity Drawer Base Cabinet</b>							
<b>VDB12</b>	874	1102	1031	1238	1364	1268	1420
<b>VDB15</b>	926	1168	1093	1312	1446	1343	1504
<b>VDB18</b>	948	1196	1119	1343	1481	1375	1540
<b>VDB21</b>	965	1217	1139	1367	1507	1400	1567
<b>VDB24</b>	995	1255	1174	1409	1553	1443	1616

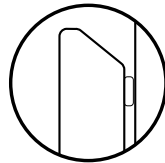


**Double Drawer Floating Vanity**

<b>FVDB2418</b>	878	1080	N/A	N/A	N/A	N/A	N/A
<b>FVDB3018</b>	947	1179	N/A	N/A	N/A	N/A	N/A
<b>FVDB3618</b>	1027	1294	N/A	N/A	N/A	N/A	N/A



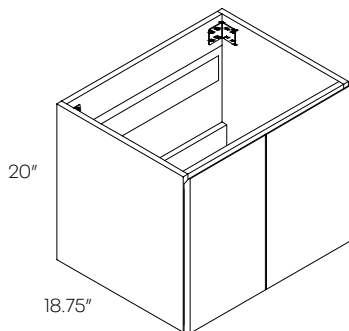
- Only available in Broadway Cotton (BM600), Broadway Beach (BM655), Milano Polar White (MP400) and Milano Sand (MP402)
- Classic box construction
- Interior matches door color
- Metal Drawer Box
- Soft-close glides



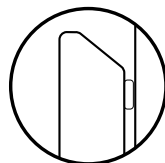
Finger-pull

**Double Door Floating Vanity**

<b>FV2418</b>	404	580	N/A	N/A	N/A	N/A	N/A
<b>FV3018</b>	448	653	N/A	N/A	N/A	N/A	N/A
<b>FV3618</b>	491	724	N/A	N/A	N/A	N/A	N/A



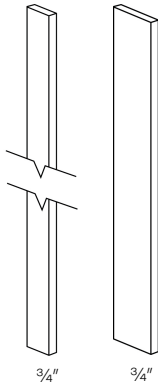
- Only available in Broadway Cotton (BM600), Broadway Beach (BM655), Milano Polar White (MP400) and Milano Sand (MP402)
- Classic box construction
- Interior matches door color
- Metal Drawer Box
- Soft-close hinges



Finger-pull

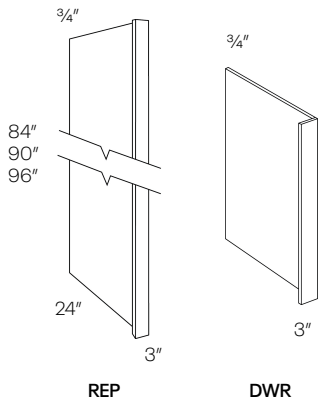
Item Number	Plus Program			Alvic			
	E	F	G	H	I	J	K
<b>F3120</b>	N/A	N/A	237	285	299	N/A	N/A
<b>F6120</b>	N/A	N/A	366	440	462	N/A	N/A
<b>F330</b>	66	83	59	71	75	95	107
<b>F342</b>	86	108	77	93	98	124	139
<b>F396</b>	200	252	180	216	227	290	325
<b>F630</b>	113	142	101	122	128	163	183
<b>F642</b>	150	189	135	162	171	218	244
<b>F696</b>	332	419	299	359	377	482	540

**Filler**



- Overlays available for Alvic
- Fillers finished on all 4 edges
- Front is finished

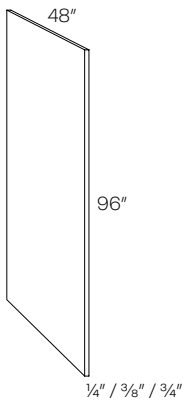
**Refrigerator & Dishwasher End Panel**



<b>REP384</b>	588	741	529	635	667	N/A	N/A
<b>REP390</b>	618	779	556	668	701	N/A	N/A
<b>REP396</b>	648	817	583	700	735	N/A	N/A
<b>DWR3</b>	340	429	306	368	386	N/A	N/A
<b>DWR6</b>	378	476	340	408	429	N/A	N/A

- Finished on 2 sides
- If textured, one side will have a flat finish

**Plywood Panel**



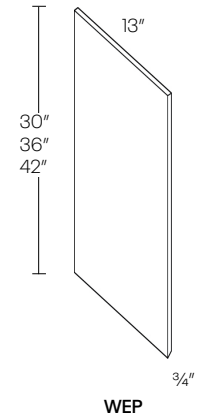
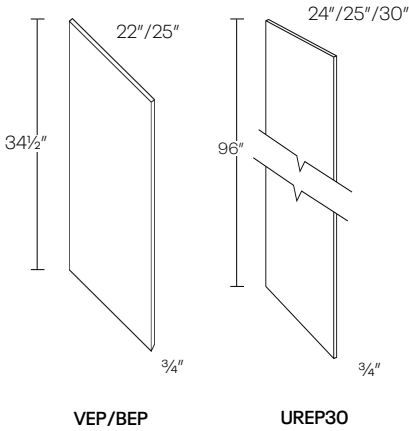
<b>PLY4X8.25</b>	513	647	462	555	583	N/A	N/A
<b>PLY4X8.375</b>	1000	1155	N/A	N/A	N/A	N/A	N/A
<b>PLY4X8.75</b>	1437	1812	1294	1553	1631	2084	2334

- \*Price per square foot
- Finished on 2 sides
- If textured, one side will have a flat finish

Collection	Width
Versailles/Highland	1/4"
Broadway/Milano	3/8"
Alvic	3/4"

Item Number	Plus Program					Alvic	
	E	F	G	H	I	J	K
<b>VEP22</b>	314	395	282	339	356	455	509
<b>BEP25</b>	298	376	268	322	338	432	484
<b>WEP30</b>	183	230	164	197	207	265	296
<b>WEP36</b>	218	275	196	236	247	316	354
<b>WEP42</b>	255	321	229	275	289	369	413
<b>UREP24</b>	N/A	N/A	407	489	513	N/A	N/A
<b>UREP25</b>	922	1162	407	489	513	1337	1497
<b>UREP30</b>	600	756	540	648	681	870	974

**End Panel**

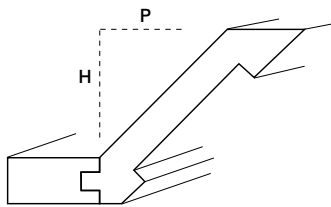


- \*Price per square foot
- Broadway and Milano end panels are MDF
- Panels are finished on one long side

**Full Overlay Crown Moldings**

MFLOCR	E	F	G	H	I	J	K
	N/A	N/A	447	537	564	N/A	N/A

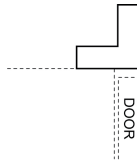
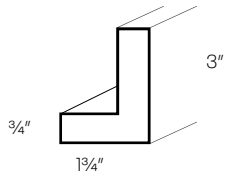
• 8 Feet long



**MFLOCR**  
Height: 3 1/2"  
Projection: 2 1/2"

Item Number	Plus Program			Alvic			
	E	F	G	H	I	J	K
<b>Contemporary Crown Molding</b>							
<b>CCM</b>	497	626	447	537	564	N/A	N/A

**Contemporary Crown Molding**

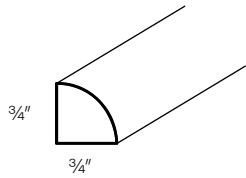


Suggested Use

- 8 Feet long
- Outer ends are finished
- Not available in Alvic

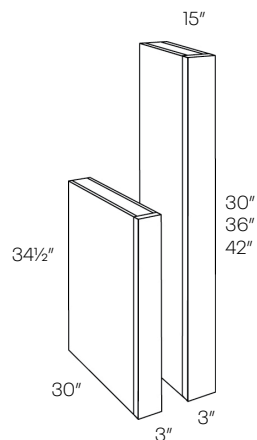
**Shoe Molding**

<b>SHM</b>	149	188	134	161	169	N/A	N/A
------------	-----	-----	-----	-----	-----	-----	-----



- 8 Feet long
- Not available in Alvic

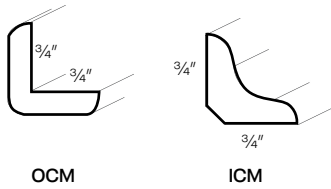
**Column**



<b>CLM-B30</b> (34 1/2"H X 30"D)	564	712	508	610	641	N/A	N/A
<b>CLM-30X15</b> (30"H X 15"D)	286	360	257	309	324	N/A	N/A
<b>CLM-36X15</b> (36"H X 15"D)	319	402	287	345	362	N/A	N/A
<b>CLM-42X15</b> (42"H X 15"D)	355	447	319	383	402	N/A	N/A

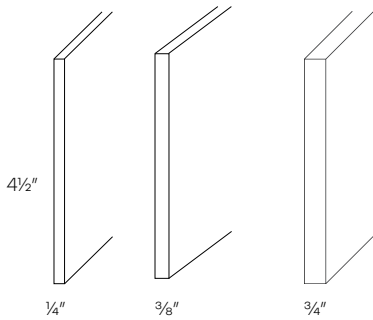
- Finished 3 sides
- Trimmable
- Not available in Alvic

Item Number	Plus Program					Alvic	
	E	F	G	H	I	J	K
<b>Corner Molding</b>							
<b>OCM</b>	135	170	121	146	153	N/A	N/A
<b>ICM</b>	135	170	121	146	153	N/A	N/A



- 8 Feet long
- Not available in Alvic

<b>Toe Kick</b>	<b>TKS</b>	113	142	101	122	128	163	163
	<b>TKS.375</b>	113	142	101	122	128	N/A	N/A
	<b>TKS.75</b>	276	348	248	298	313	N/A	N/A

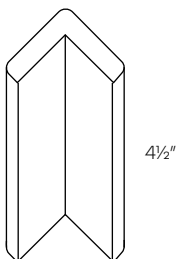


- TKS is 8 Feet long

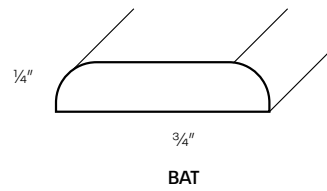
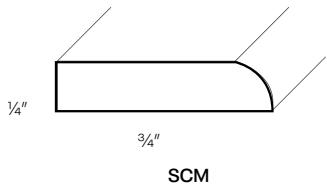
Collection	Width
Versailles/Highland	1/4"
Broadway/Milano	3/8"
Alvic	3/4"

<b>Toe Kick End Cap</b>	<b>TKS-CAP</b>	64	80	57	69	72	N/A	N/A
-------------------------	----------------	----	----	----	----	----	-----	-----

- Top and bottom sides are finished

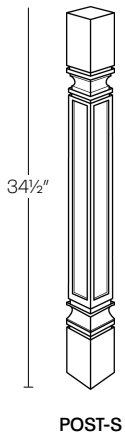


Item Number	Plus Program					Alvic	
	E	F	G	H	I	J	K
<b>Scribe Molding</b>							
<b>SCM</b>	109	138	98	118	124	N/A	N/A
<b>BAT</b>	N/A	N/A	98	118	124	N/A	N/A



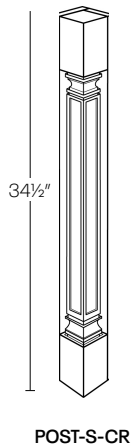
- 8 Feet long
- Not available in Alvic

<b>Post -</b>	<b>POST-S</b>	N/A	N/A	1241	1490	1564	N/A	N/A
---------------	---------------	-----	-----	------	------	------	-----	-----

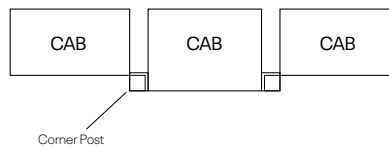


- 3" X 3"

<b>Corner Post</b>	<b>POST-S-CR</b>	N/A	N/A	441	530	556	N/A	N/A
--------------------	------------------	-----	-----	-----	-----	-----	-----	-----



- 3" X 3"



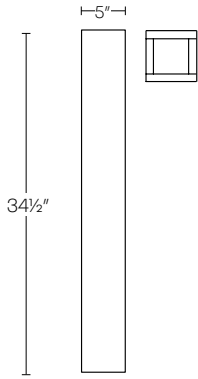
Plus Program Alvic

Item Number	E	F	G	H	I	J	K
-------------	---	---	---	---	---	---	---

Large Post

POST5-C	N/A	N/A	998	1198	1258	N/A	N/A
---------	-----	-----	-----	------	------	-----	-----

• 5" X 5"

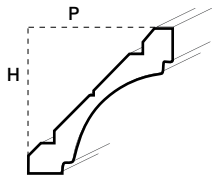


POST5-C

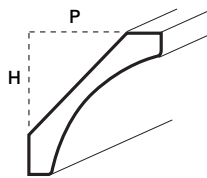
Royal Crown Molding

RCRMC	N/A	N/A	447	537	564	N/A	N/A
RCRMR	N/A	N/A	447	537	546	N/A	N/A

• 8 Feet long



**COVE**  
RCRMC  
Height: 3 1/8"  
Projection: 3 1/8"

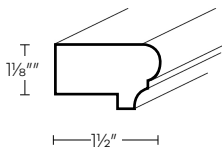


**ROUND**  
RCRMR  
Height: 2 1/16"  
Projection: 1 15/16"

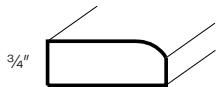
Light Rail Molding

LTRM1	N/A	N/A	233	280	294	N/A	N/A
LTRM2	N/A	N/A	233	280	294	N/A	N/A
LTRM3	N/A	N/A	310	372	391	N/A	N/A
LTRM	N/A	N/A	310	372	391	N/A	N/A
LTRMS	N/A	N/A	310	371	391	N/A	N/A

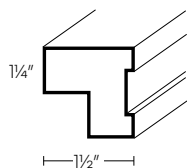
• 8 Feet long



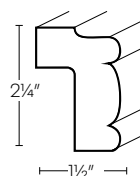
LTRM1



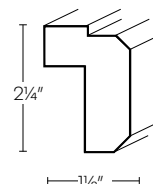
LTRM2



LTRM3



LTRM

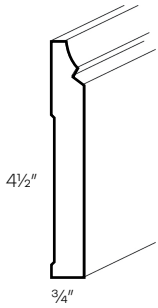


LTRMS

Item Number	Plus Program					Alvic	
	E	F	G	H	I	J	K

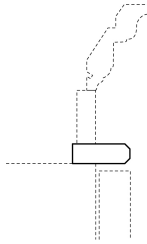
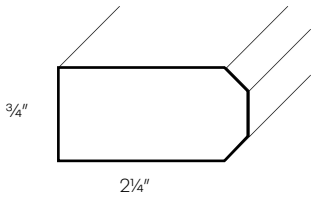
Base Molding

BSMS	N/A	N/A	319	383	402	N/A	N/A
------	-----	-----	-----	-----	-----	-----	-----



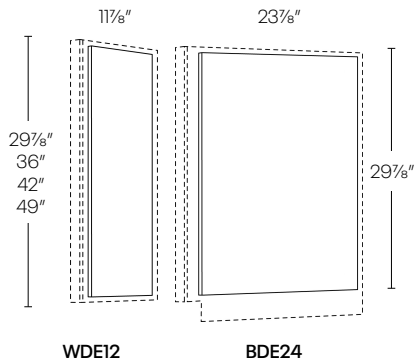
Trim Molding

TBMS	N/A	N/A	147	177	186	N/A	N/A
------	-----	-----	-----	-----	-----	-----	-----



Decorative End

<b>WDEI230</b>	158	175	175	206	217	N/A	N/A
<b>WDEI236</b>	216	238	249	283	297	N/A	N/A
<b>WDEI242</b>	263	290	292	345	362	N/A	N/A
<b>WDEI250</b>	325	360	361	425	447	N/A	N/A
<b>BDE24</b>	N/A	N/A	420	494	519	N/A	N/A

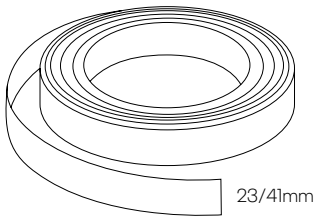


• Use finished skin to flush with frame

Item Number	Plus Program				Alvic		
	E	F	G	H	I	J	K
<b>EDGEBAND</b>	24	30	21	26	27	34	38

**Edgeband**

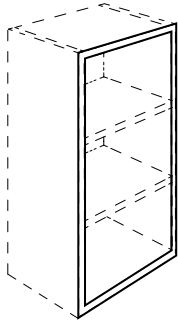
- \* Alvic Edgeband only sold in roll
- Price is per lineal foot



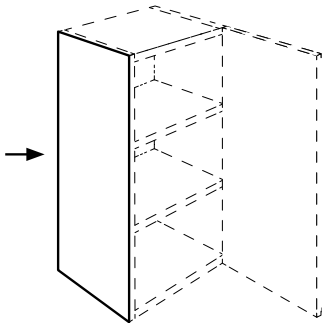
**Matching Edgeband**

CT-EDGEBAND	24	30	21	26	27	N/A	N/A
-------------	----	----	----	----	----	-----	-----

- \* Matching edgeband is a 10% upcharge of cabinet price
- \*\* Factory Installed for Alvic orders



**Integrated Finished End**



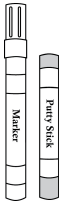
<b>BFP*</b>	276	349**	249	299	314	N/A	N/A
<b>VFP*</b>	250	315**	225	270	284	N/A	N/A
<b>WFP12*</b>	79	99**	71	85	89	N/A	N/A
<b>WFP15*</b>	79	99**	71	85	89	N/A	N/A
<b>WFP18*</b>	79	99**	71	85	89	N/A	N/A
<b>WFP24*</b>	105	133**	95	114	120	N/A	N/A
<b>WFP30*</b>	132	167**	119	143	150	N/A	N/A
<b>WFP36*</b>	158	199**	142	170	179	N/A	N/A
<b>WFP42*</b>	172	217**	155	186	195	N/A	N/A
<b>TFP84*</b>	656	827**	591	709	745	N/A	N/A
<b>TFP90*</b>	708	893**	638	766	804	N/A	N/A
<b>TFP96*</b>	748	944**	674	809	849	N/A	N/A

- \* Factory applied for Broadway, Milano, Versailles & Highland
- \*\*Price listed is for one finished side; for double sided finished side, multiply price by two

Item Number	Plus Program					Alvic	
	E	F	G	H	I	J	K

**Touch Up Kit**

TUP	100	100	100	100	100	N/A	N/A
TUP-PINT	N/A	N/A	123	123	123	N/A	N/A

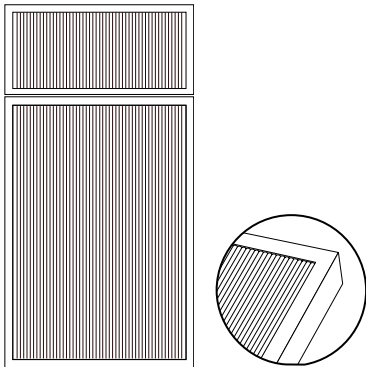


TUP



TUP-PINT

**Reeded Door**



<b>CT-CAB-DR-INS-REED</b>	Cabinet Door Only	60%
<b>CT-CAB-DF-INS-REED</b>	Cabinet Drawer Front Only	15%
<b>CT-CAB-INS-REED</b>	Full Cabinet	60%
<b>CT-DR-INS-REED</b>	Custom Door	100%
<b>CT-DF-INS-REED</b>	Drawer Front Only	100%
<b>CT-DR-DF-INS-REED</b>	Door & Drawer Front Only	100%

- Only available on Versailles
- \* Percent upcharge of cabinet price

Item Number	Plus Program				Alvic		
	E	F	G	H	I	J	K
<b>Custom Cabinet</b>							
<b>CAB-CUS-BASE</b>	*	*	*	*	*	*	*
<b>CAB-CUS-WALL</b>	*	*	*	*	*	*	*
<b>CAB-CUS-TALL</b>	*	*	*	*	*	*	*

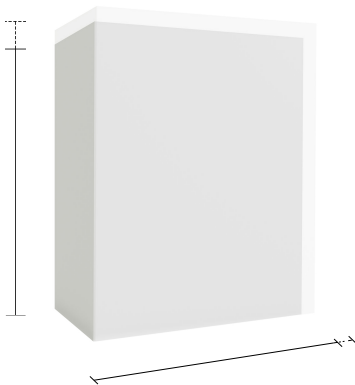


- \* Please call for pricing
- Customer must provide drawings & dimensions (Width x Height) for custom price quote and lead time
- Can not be combined with existing quote
- Custom Decorative Panels will have an extended lead time
- Grain is always vertical

\*\* Cabinets are made custom, please provide accurate drawings with your order

Custom Hood

<b>CAB-CUS-HOOD</b>	*	*	*	*	*	*	*
---------------------	---	---	---	---	---	---	---



- \* Please call for pricing
- Customer must provide drawings & dimensions (Width x Height) for custom price quote and lead time
- Can not be combined with existing quote
- Custom Decorative Panels will have an extended lead time
- Grain is always vertical
- Does not have metal liner

\*\* Hoods are made custom, please provide accurate drawings with your order

Custom Door / Panel

<b>DR-CUS (Door Profile)</b>	35	35	<b>35</b>	35	35	35	35
<b>PL-CUS (Panel - 3/4")*</b>	35	35	35	35	35	35	35



- \* PL-CUS does not have a profile
- Price per square foot
- Customer must provide drawings & dimensions (Width x Height) for custom price quote and lead time
- Can not be combined with existing quote
- Custom Decorative Panels will have an extended lead time
- Grain is always vertical

\*\* Doors are made custom, please provide accurate drawings with your order

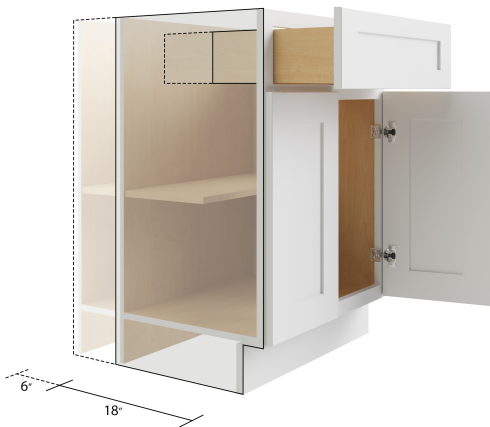
	Panel	Door
Minimum	6" x 6"	6" x 6"
Maximum	48" x 96"	48" x 96"



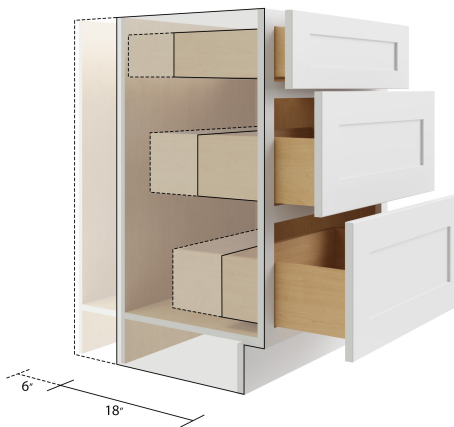
# Modifications & Upgrades



Wall Cabinet



Base Cabinet



Drawer Base Cabinet

\*Dovetail not in back



Tall Cabinet

Cut Down Depth	Description	List Price
CT-CUT-DEEP-B*	Base cabinet, cut down depth	400
CT-CUT-DEEP-DB*	Drawer base cabinet, cut down depth	500
CT-CUT-DEEP-T*	Tall cabinet, cut down depth	500
CT-CUT-DEEP-W**	Wall cabinet, cut down depth	400
CT-CUT-WIDTH-B	Base cabinet, cut down width	672
CT-CUT-WIDTH-DB	Drawer Base cabinet, cut down width	906
CT-CUT-WIDTH-T	Tall cabinet, cut down width	906
CT-CUT-WIDTH-W	Wall cabinet, cut down width	672
CT-CUT-HEIGHT-W	Cut down height (only available in Alvic)	906

\*Can be cut down to 9", 12", 15", 18" & 21" | \*\*Can be cut down to 6", 9" & 11"

\*All 9" Base Cabinets will have a dummy drawer front

Width Cut downs are not available in Highland and Versailles

Top View



Base Cabinet

Top View

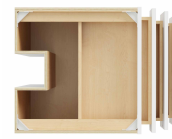


Top View



Drawer Base Cabinet

Top View



Top View



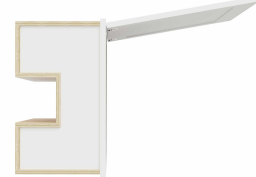
Top View



Top View



Top View



Wall Cabinet

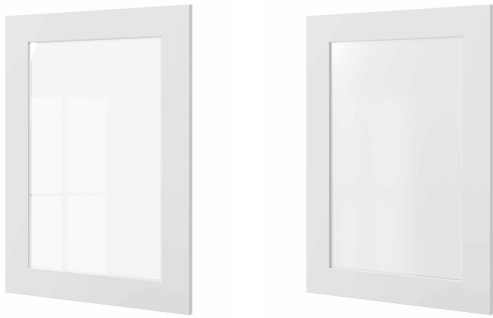
\*Tall Cabinet  
\*Must provide accurate drawing with your order

Chase Cuts	Description	List Price
CT-CHASE-B	Base cabinet, chase cut	700
CT-CHASE-DB	Drawer base cabinet, chase cut	900
CT-CHASE-T	Tall cabinet, chase cut	900
CT-CHASE-W	Wall cabinet, chase cut	600

- Non-stock cabinets, parts including doors and drawers, custom modifications, wood hoods and countertops (post form and self-edge) are not returnable.
- Must provide accurate drawings with your order

Item	Description	List Price
<b>CT-DCG</b>	Door cut for glass	205
<b>CT-DCG-GLI</b>	Door cut and insert glass	381
<b>CT-DCG-GLI-F</b>	Door cut and insert frosted glass	381

**Door cut for glass**



\*Per door cost shown above

**Glass Shelves**



<b>PRT-GLS-SHELF-12</b>	(3) Glass Shelves	259
<b>PRT-GLS-SHELF-15</b>	(3) Glass Shelves	261
<b>PRT-GLS-SHELF-18</b>	(3) Glass Shelves	273
<b>PRT-GLS-SHELF-24</b>	(3) Glass Shelves	317
<b>PRT-GLS-SHELF-30</b>	(3) Glass Shelves	349
<b>PRT-GLS-SHELF-36</b>	(3) Glass Shelves	421

• Shelves are 3/8" thick

**Extend Wall Cabinet Depth**

<b>CT-EXD-W</b>	Extended depth wall	806
-----------------	---------------------	-----

• Can only be extended to 15", 18", 21" & 24"



Item	Description	List Price
------	-------------	------------

**Finished Interior**

<b>CT-FINISH-B</b>	Finished Interior - Base Cabinet	450
<b>CT-FINISH-W</b>	Finished Interior - Wall Cabinet	450
<b>CT-FINISH-T</b>	Finished Interior - Tall Cabinet	800

• Drawers will not be finished



**Remove bottom from cabinet**

<b>CT-CUT-FLOOR</b>	Remove bottom of cabinet	
---------------------	--------------------------	--



**Faux Finger Pull**

<b>CT-FAUX</b>	Move bottom of cabinet up	
----------------	---------------------------	--



Item	Description	List Price
<b>CT-TK-CUT</b>	Base cabinet, cut off toe kick	116
<b>CT-TK-CUT-SHP</b>	Base cabinet, cut off toe kick and ship	200
<b>CT-TK-FLUSH</b>	Flush Toe Kick	600
<b>CT-TK-REDUCE</b>	Reduce Depth of Toe Kick	400

**Toe Kick**



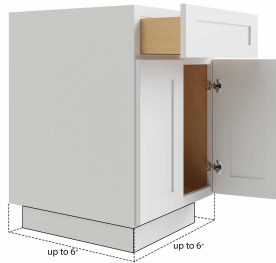
**CT-TK-CUT-SHP**



**CT-TK-FLUSH**



**CT-TK-CUT**



**CT-TK-REDUCE**

**Reduced Top Drawer Depth**

<b>CT-TD-REDUCE</b>	Reduce Depth of Top Drawer	120
---------------------	----------------------------	-----

• Can be cut down to 9", 12", 15", 18" & 21"



Item	Description	List Price
------	-------------	------------

**Base Cabinet to Sink Base**



<b>CHARGE-SINK BASE</b>	Base to Sink Base	0
-------------------------	-------------------	---

- Only available on B12, B15 & B18

**Full Height Sink Base**



<b>CHARGE-SINK BASE</b>	Make Sink Base Full Height	0
-------------------------	----------------------------	---

**BLUM Hardware Upgrade**



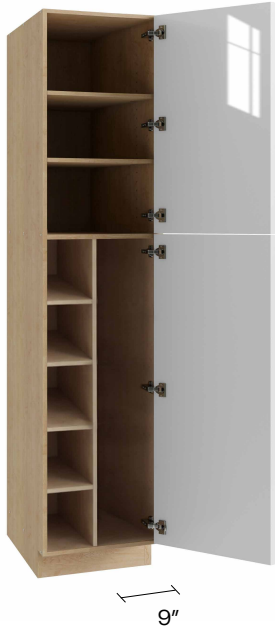
<b>CT-BLUM</b>	BLUM Hinge & Glide Upgrade	600
----------------	----------------------------	-----

- BLUM upgrade is a 10% upcharge of cabinet price
- Includes both hinge and glide upgrade

Item	Description	List Price
<b>CT-BROOM-DIVIDER</b>	Broom Divider	600

**Broom Divider**

- Left or right



# Rev-a-shelf Upgrades

Maple Bottom Mount Waste Pullout



Item	Fits Cabinet	Price
<b>35 Quart</b>		
4WCSC-1535DM-1 (1 Can)	B15	1380
4WCSC-1835DM-2 (2 Cans)	B18	1459
<b>50 Quart</b>		
4WCSC-1550DM-1 (1 Can)	B15-FH	1388
4WCSC-1850DM-2 (2 Cans)	B18-FH	1534
4WCSC-2150DM-2 (2 Cans)	B21-FH	1634

- Price includes installation in cabinet
- Soft-close

Girasolo Wood Shelves for Blind Base Cabinets



<b>1 Shelf</b>		
4WLS871-12-L	BLB42/45R	1330
4WLS871-12-R	BLB42/45L	1330
4WLS871-15-L	BLB45/48R	1357
4WLS871-15-R	BLB45/48L	1357
<b>2 Shelves</b>		
4WLS87-12-L	BLB42/45R	2346
4WLS87-12-R	BLB42/45L	2346
4WLS87-15-L	BLB45/48R	2405
4WLS87-15-R	BLB45/48L	2405

- Price includes installation in cabinet
- Soft-close

Single Shelf

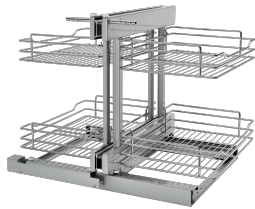
Two-tier

Elite Blind Corner Optimizer



Item	Fits Cabinet	Price
<b>Wire Bottom</b>		
5PSP-15SC-CR-6	BLB45/48	2419
<b>Solid Bottom</b>		
53PSPE-15SC-GR	BLB45/48	3371
53PSPE-15SC-MP	BLB45/48	3371

- Price includes installation in cabinet
- Soft-close



Wire Bottom



Solid Bottom (Metal)



Solid Bottom (Maple)

Heavy Duty Mixer Lift



ML-WNHDSOG-18FL	B18-FH	2164
-----------------	--------	------

- Price includes installation in cabinet



Base Cabinet Pullout w/ Utensil Bins



Item	Fits Cabinet	Price
448UT-BCSC-6C	B9-FH	1528
448UT-BCSC-9C	B12-FH	1758

- Price includes installation in cabinet
- BLUM, soft-close glides



BCSC-11C

BLUM® Soft-Close Base Cabinet Pullout



448-BCSC-6C	B9-FH	1167
448-BCSC-9C	B12-FH	1417

- Price includes installation in cabinet



Base Cabinet Pullout w/ Knife Block



Item	Fits Cabinet	Price
448KB-BCSC-6C	B9-FH	1960
448KB-BCSC-9C	B12-FH	2257

- Price includes installation in cabinet
- BLUM, soft-close glides



BCSC-11C

Paper Towel Pullout



448PTH-BCSC-6C	B9-FH	1255
448PTH-BCSC-8C	B12-FH	1449

- Price includes installation in cabinet
- Soft-close glides



Base Cabinet Pullout w/ Tray Divider/Foil Wrap Holder



Item	Fits Cabinet	Price
447-BCSC-6C-L	B9-FH	1232
447-BCSC-6C-R	B9-FH	1279
447-BCSC-9C-L	B12-FH	1370
447-BCSC-9C-R	B12-FH	1493

- Price includes installation in cabinet
- Soft-close glides

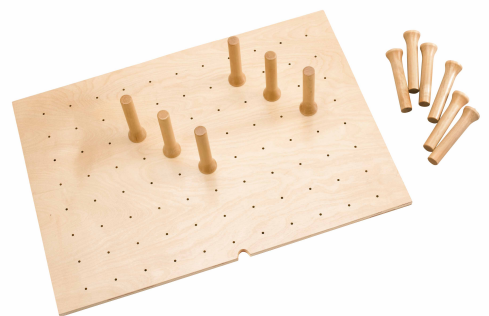


Drawer Peg Systems



4DPS-2421	DB30	438
-----------	------	-----

- Price includes installation in cabinet
- Installed in bottom drawer

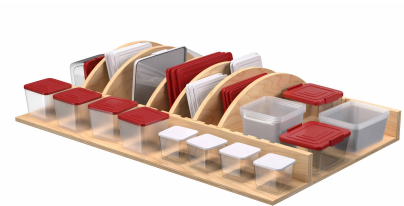


Adjustable Deep Drawer Divider System



Item	Fits Cabinet	Price
4ADI-36-1	DB30, DB33, DB36	709

- Price includes installation in cabinet
- Installed in bottom drawer



Wooden Cutlery Tray Replacement



4WTCD-343HFLSC-1	B15	772
4WTCD-419HFLSC-2	B18	879
4WTCD-496HFLSC-3	B21	907

- Price includes installation in cabinet
- BLUM, soft-close glides



4WTCD-15HSC-1

Charging Drawer Replacement



Item

Fits Cabinet

Price

4WCDB-18FLSC-1

B18

1742

- Price includes installation in cabinet



Wood Double Knife Block Insert



4DWKB-1

B24

509

- Price includes installation in cabinet
- Installed in top drawer
- Can be used for:  
**Base Cabinets:**  
 B12, B15, B18, B21, B24  
**Drawer Base Cabinets:**  
 DB12, DB15, DB18, DB21, DB24



Wood Spice Drawer Insert



Item	Fits Cabinet	Price
4SDI-18-1	B21	600
4SDI-24-1	B27	600
4SDI-36-1	DB33	600

- Price includes installation in cabinet
- Installed in top drawer
- Can be used for:

**Base Cabinets:**  
B12, B15, B18, B21, B24

**Drawer Base Cabinets:**  
DB12, DB15, DB18, DB21, DB24, DB30, DB33, B30-SDF



Wood Utensil Tray Insert



Item	Fits Cabinet	Price
4WUT-1	B21	275
4WUT-3	B27	355
4WUT-36-1	DB36	661
4WUTKB-36-1	DB36	898
4WUTCT-36-1	DB36	680

• Price includes installation in cabinet



4WUT-1  
B15, B18, B21, DB15, DB18



4WUT-3  
B21, B24, B27, DB21, DB24



4WUT-36-1  
DB30, DB33



4WUTKB-36-1  
DB30, DB33



4WUTCT-36-1  
B30, BDB30, DB33

# Marble & Granite Countertops

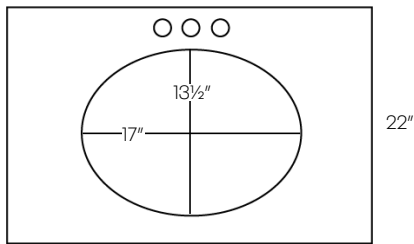
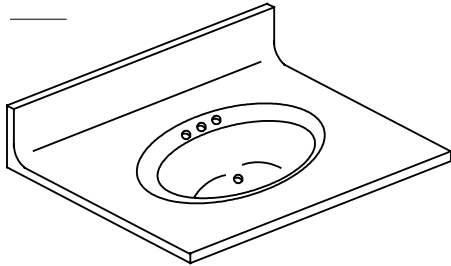
---

# Marble Countertops

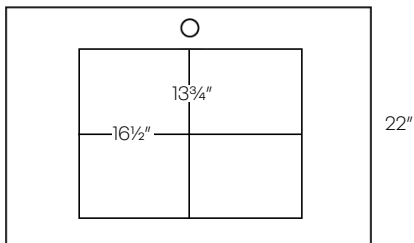
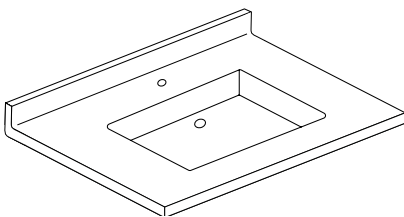
White

## Cultured Marble Top

### MT



### MTS



MT2-1917*	162
MT2-2122	244
MT2-2519*	212
MT2-2522*	307
MT2-2822*	318
MT2-3119*	270
MT2-3122*	329
MT2-3422*	376
MT2-3722*	422
MT2-4322*	520
MT2-4922*	564
MTS2-2522	378
MTS2-2822	421
MTS2-3122	462
MTS2-3422	491
MTS2-3722	520
MTS2-4322	589
MTS2-4922	693
MTS2-6122	1023
MTS2-6122-DB	1115

**\*Sold only in the Northeast**

• Single bowl

• Side Spalsh not available

\* Center bowl - 4" spread

	Tiger Skin (GTS)	Cara White (GCW)	Cara White (GCWS)	Gazian White (GGW)
--	------------------	------------------	-------------------	--------------------

**Granite Top**

Includes:

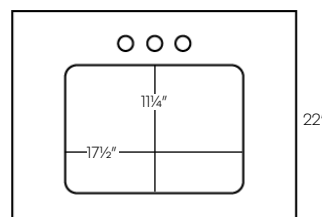
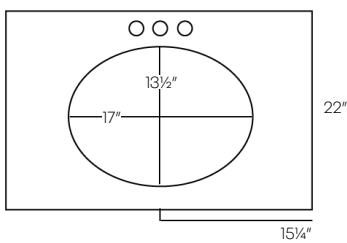
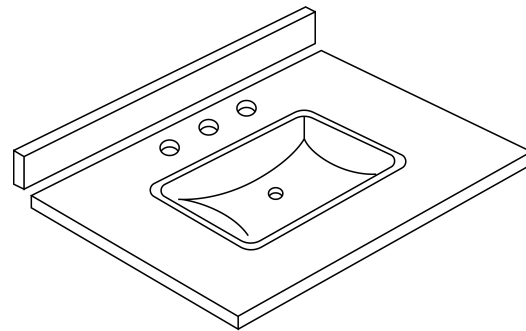
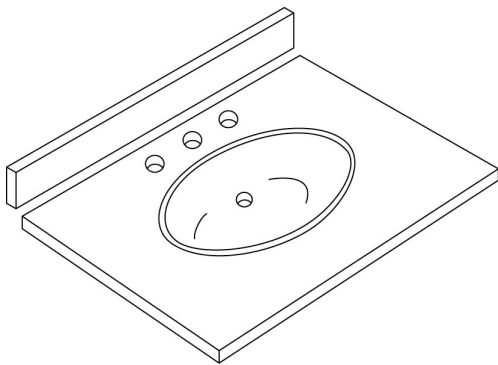
- White porcelain undermount bowl (installed)
- Loose 4" backsplash

- \* Center bowl - 4" spread
- \*\* Center bowl - 8" spread
- \*\*\* Double bowl - 8" spread

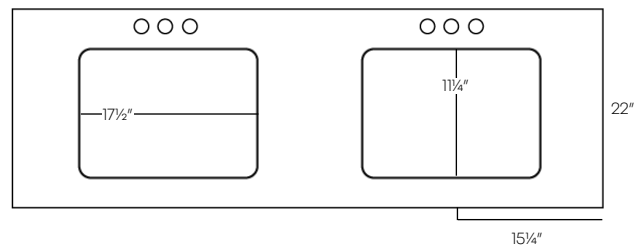
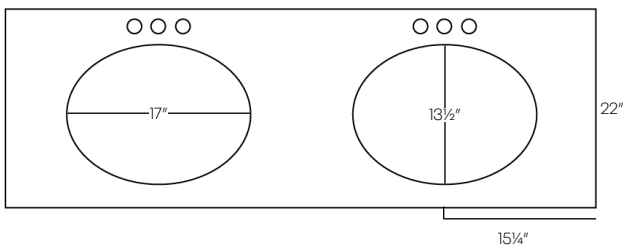
<b>2522-S4*</b>	549	823	989	744
<b>3122-S4*</b>	624	968	1164	818
<b>3722-S8**</b>	696	1097	1315	889
<b>4322-S8**</b>	770	1217	1460	965
<b>4922-S8**</b>	860	1392	1670	1042
<b>6122-S8**</b>	1003	1641	2194	1569
<b>6122-D8***</b>	1181	1830	1968	1316
<b>SDSP-22</b> (side splash)	47	98	89	72
<b>6X6-SP</b> (sample)	14	14	15	15

**\*Sold only in the Northeast**

- GCWS is square
- CGT6122-S8 will not fit on the Vanguard Vanity Collection



- 20% upcharge
- Only Available in CW and GGW

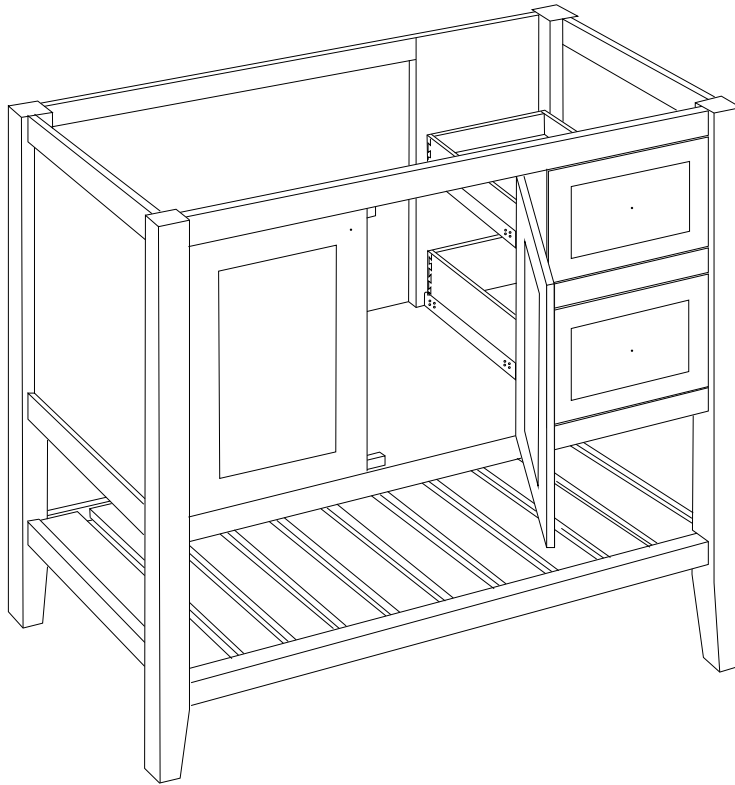


# Specifications & Pricing



Vanguard Collection

Vanguard Vanities



**Interior** — Finished with the same finish as the outside

**Drawers** — 5/8" solid wood Dovetail sides 3/8" thick bottom

**Hinges** — Heavy duty steel concealed adjustable soft close hinge.

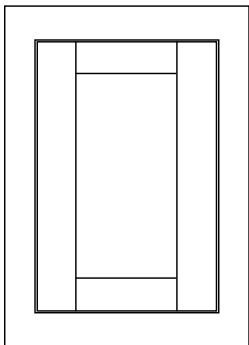
**Glides** — High quality soft-close under-mount glides.

\*Open back behind all doors

\*Indigo has 2 pre-drilled holes for handles

\*All other finishes have one pre-drilled hole for handles

**24"/30" Vanities have 4" spread on vanity top**  
**36" and higher Vanities have 8" spread**

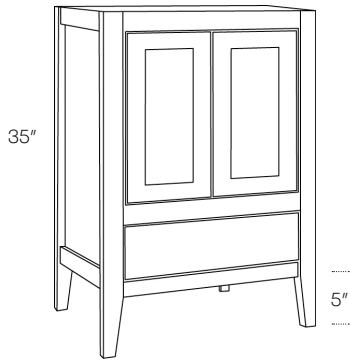


Finish	Price Code	Species
VG10 - White (paint)	V	Solid Wood

Item Number	V
-------------	---

**Bottom Drawer Vanity**

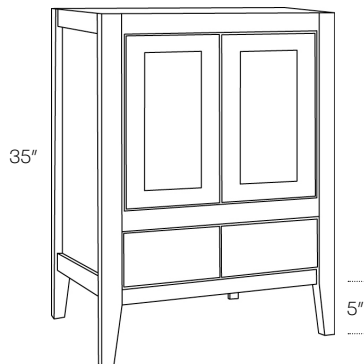
<b>VBD421</b>	838
---------------	-----



- Use tops pg. 275
- Open back
- Drawers are 3" high inside

**Double Bottom Drawer Vanity**

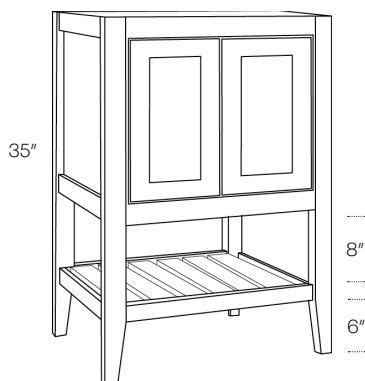
<b>VBD421</b>	1442
---------------	------



- Use tops pg. 275
- Open back
- Drawers are 3" high inside

**Open Bottom Vanity**

<b>VOB3621</b>	983
----------------	-----

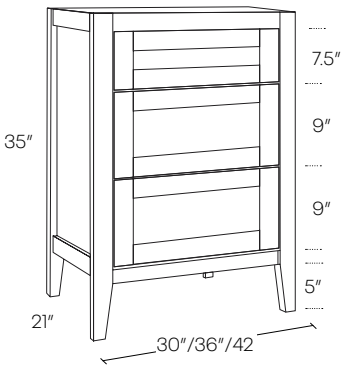


- Use tops pg. 275
- Open back

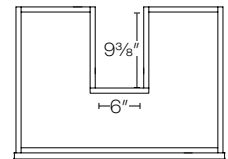
Item Number	V
-------------	---

**Double Drawers Vanity**

<b>VDD3021</b>	973
----------------	-----

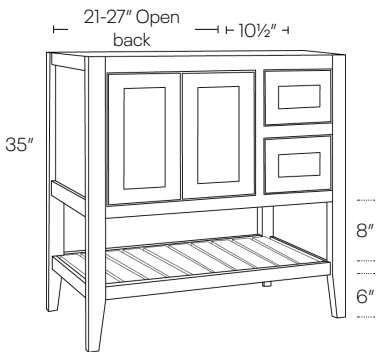


- Use tops pg. 275
- Open back
- Drawers cut for plumbing



**Open Bottom Right Drawers Vanity**

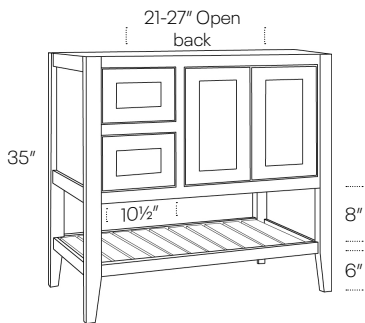
<b>VOB4221-DR</b>	1374
-------------------	------



- Use tops pg. 275
- Top drawer is 1 3/8 inches high inside
- Bottom drawer is 3 inches high inside

**Open Bottom Left Drawers Vanity**

<b>VOB3621-DL</b>	1251
<b>VOB4221-DL</b>	1374



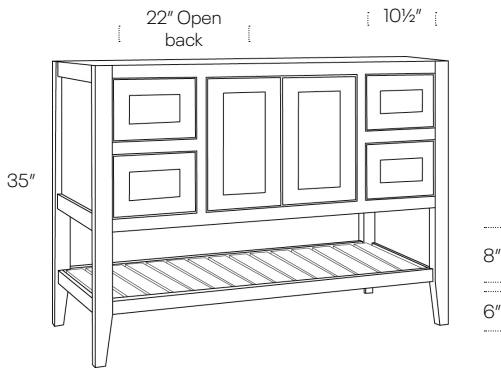
- Use tops pg. 275
- Top drawer is 1 3/8 inches high inside
- Bottom drawer is 3 inches high inside

Item Number	V
-------------	---

**Open Bottom Double Drawers Vanity**

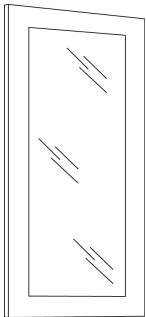
<b>VOB4821-DD</b>	1821
-------------------	------

- Use tops pg. 275
- Top & bottom drawers are 3" high inside



**Mirror**

<b>MR1830</b>	432
<b>MR3030</b>	586
<b>MR3630</b>	647



# Cabinet Care Information



## **Finish Awareness Statement**

Thank you for choosing a stained finish product from CNC Cabinetry. When purchasing cabinetry, we would like to ensure our customers are properly educated on the characteristics of the wood used and the finished wood they are purchasing. Please review the following "Finish Awareness Statement".

All of CNC's finishes are applied in the same manner and with the same quality standards. There are some unique characteristics with stained finishes across all wood species, and it is important to understand that these characteristics are not considered quality defects.

**1. Wood in its natural state expands and contracts. Because of this natural movement, you may find evidence of slight cracks in joint lines on doors and face frames. Center panels will shrink exposing minor unfinished areas of wood. These slight cracks are normal and not considered quality defects. Proper humidification should be maintained during storage and after installation.**

**2. Every tree grows differently giving each piece of wood its own unique characteristics. By the very nature of wood, grain patterns and other wood characteristics including mineral streaks, knots, and other variations are considered normal. Because of this, stain will appear differently across the same cabinet. This is the natural beauty of the wood.**

**3. End grains on door edges and panel profiles may exhibit open grain or voids in wood appearing as "Rough Spots" in the wood. Stains often highlight indentions into the wood. These imperfections are normal and are not considered quality defects.**

**4. Light-colored wood may heighten light-and-dark effects, and cause blotchiness when medium or dark stains are applied. These are natural occurrences and are within CNC's strict standards of wood-finishing.**

These imperfections are normal and will not be considered as reasons for replacement.

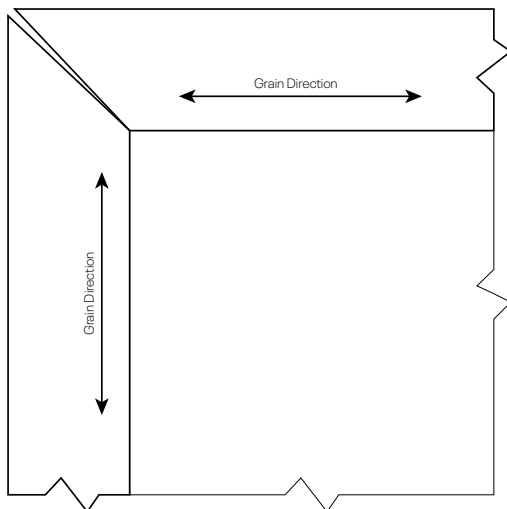
We, the manufacturer, nor your authorized dealer will replace products or issue credit based on any of the above reasons.

## Treat your Cabinets with Care:

- Use a soft cotton cloth.
- Do not use abrasive materials (including paper towels).
- Only use soap and warm water.
- Do not spray directly onto the cabinets.
- Do not use any chemicals.  
(Note, when using a spray for other items placed near your cabinetry, be careful not to overspray on your cabinets)
- Wipe spills promptly and do not leave wet items against the wood.
- Clean glass doors with a glass cleaner.  
(Be careful not to overspray on the wood)
- You can repair small nicks and scratches with our touch up kits.
- Waxing and polishing is not recommended as this can create a film or wax build up on your cabinets and affect the finish.
- You can dust your cabinets with a lightly damp cloth.  
(Follow the grain of the wood wiping across can cause scratches)

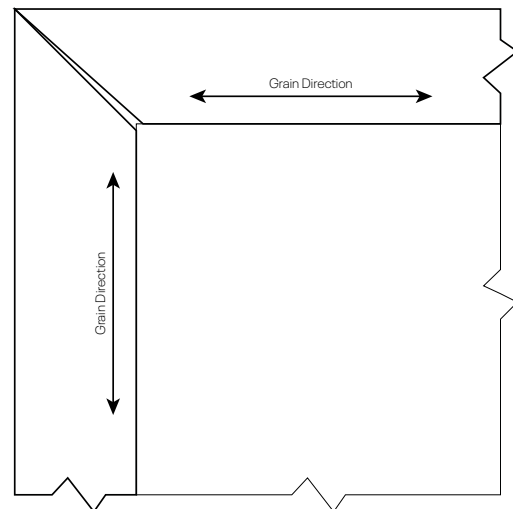
## Humidification effects on door with a Miter Joint

High Humidity



When wood swells, miter joints open as shown above

Low Humidity



When wood shrinks, miter joints open as shown above

\* Humidification is normal and is not considered a need for replacement.

## Limited Five-Year Warranty

CNC Cabinetry Inc. ("CNC") provides the following limited 5 year warranty to the original Residential Purchaser of all Bedford cabinetry and vanities manufactured by CNC. This Limited 5 Year Warranty ("Warranty") is only applicable to cabinets and vanities sold to the original Residential purchaser (as defined below) and used in the applications described below within the United States. Except as allowed by applicable law, you may not assign or transfer this Warranty.

Under this Warranty, an original Residential purchaser is defined as an individual who purchases and installs the cabinets and vanities in a dwelling that is owned and used by that person as a primary or secondary home. A primary or secondary home does not include rental property. This Warranty does not apply to landlords, leasing companies or other commercial purchasers. Original residential purchaser shall include any business or person such as a builder, contractor or developer that purchases and install CNC cabinets and vanities in a newly constructed or renovated dwelling that will be used by the initial owner/purchaser of that dwelling as a primary or secondary home.

Subject to the limitations and exclusions set forth, CNC warrants to the original Residential purchaser that the cabinets and vanities will be free from defects in material and workmanship, damage that occurs during normal wear and tear, or damage due to exposure to moisture or extreme temperatures are not covered under the warranty.

The Warranty period for the cabinets and vanities begin on the date the cabinet and vanity were purchased, whether purchased by you or by a third party on your behalf. Your warranty is only valid if you used the dwelling as your primary or secondary home and does not extend to future owners if the property is sold.

This Warranty does not apply to cabinets or vanities: 1. Installed outdoors; 2. Misused, abused, or unauthorized alterations; 3. Improperly stored or placed in humid environment or subjected to improper temperatures; 4. Damaged due to flood, fire or other natural disasters; 5. Exhibiting normal wear and tear; 6. Which have been improperly installed, maintained or cleaned.

In the event of a defect in the workmanship or materials occurring during the warranty period, CNC will at its option, repair or replace any defective cabinet or vanity or component provided, if it is commercially feasible. If it is not commercially feasible, CNC reserves the right to provide a credit towards a similar type of product sold by CNC. This is your sole and exclusive remedy for any defects.

This Warranty is limited to the replacement of defective parts only and does not include service, labor or transportation charges related to the removal or installation of the defective or replacement parts. This Warranty does not apply to any products used in conjunction with the cabinetry, or vanity, such as countertops, appliances, plumbing fixtures, decorative hardware, lighting. Repair or replacement remedies offered under this Warranty are subject to the current product offerings of styles and construction of CNC at that time. If a warranty claim is filed after a product has been discontinued or obsolete, CNC reserves the right at its sole option, to replace that part with one of the same or similar style based on availability and cannot guarantee an exact match.

The remedies described above are the sole and exclusive remedies and CNC's entire liability for any breach of this Warranty. Total liability shall under no circumstances exceed the actual amount paid for the defective cabinet or vanity. CNC shall not be responsible for any consequential, incidental, special or punitive damages. This Warranty gives you specific legal rights and you may also have other rights which vary from state to state. For replacements under CNC's limited 5 year warranty, contact your authorized CNC dealer who will arrange for inspection of the cabinet. A dated sales receipt as proof of purchase is required to obtain benefits from this warranty, if you have difficulty reaching your dealer, you may reach out to CNC Cabinetry directly.

## Limited Lifetime Warranty:

CNC Cabinetry Inc. ("CNC") provides the following limited lifetime warranty to the original Residential Purchaser of all Luxor, Concord and Classic cabinetry and vanities manufactured by CNC. This Limited Lifetime Warranty ("Warranty") is only applicable to cabinets and vanities sold to the original Residential purchaser (as defined below) and used in the applications described below within the United States. Except as allowed by applicable law, you may not assign or transfer this Warranty. Under this Warranty, an original Residential purchaser is defined as an individual who purchases and installs the cabinets and vanities in a dwelling that is owned and used by that person as a primary or secondary home. A primary or secondary home does not include rental property. This Warranty does not apply to landlords, leasing companies or other commercial purchasers. Original residential purchaser shall include any business or person such as a builder, contractor or developer that purchases and install CNC cabinets and vanities in a newly constructed or renovated dwelling that will be used by the initial owner/purchaser of that dwelling as a primary or secondary home.

Subject to the limitations and exclusions set forth, CNC warrants to the original Residential purchaser that the cabinets and vanities will be free from defects in material and workmanship, damage that occurs during normal wear and tear, or damage due to exposure to moisture or extreme temperatures are not covered under the warranty.

The Warranty period for the cabinets and vanities begin on the date the cabinet and vanity were purchased, whether purchased by you or by a third party on your behalf. Your warranty is only valid if you used the dwelling as your primary or secondary home and does not extend to future owners if the property is sold.

This Warranty does not apply to cabinets or vanities: 1. Installed outdoors; 2. Misused, abused, or unauthorized alterations; 3. Improperly stored or placed in humid environment or subjected to improper temperatures; 4. Damaged due to flood, fire or other natural disasters; 5. Exhibiting normal wear and tear; 6. Which have been improperly installed, maintained or cleaned. In the event of a defect in the workmanship or materials occurring during the warranty period, CNC will at its option, repair or replace any defective cabinet or vanity or component provided, if it is commercially feasible. If it is not commercially feasible, CNC reserves the right to provide a credit towards a similar type of product sold by CNC. This is your sole and exclusive remedy for any defects.

This Warranty is limited to the replacement of defective parts only and does not include service, labor or transportation charges related to the removal or installation of the defective or replacement parts. This Warranty does not apply to any products used in conjunction with the cabinetry, or vanity, such as countertops, appliances, plumbing fixtures, decorative hardware, lighting. Repair or replacement remedies offered under this Warranty are subject to the current product offerings of styles and construction of CNC at that time. If a warranty claim is filed after a product has been discontinued or obsolete, CNC reserves the right at its sole option, to replace that part with one of the same or similar style based on availability and cannot guarantee an exact match.

The remedies described above are the sole and exclusive remedies and CNC's entire liability for any breach of this Warranty. Total liability shall under no circumstances exceed the actual amount paid for the defective cabinet or vanity. CNC shall not be responsible for any consequential, incidental, special or punitive damages. This Warranty gives you specific legal rights and you may also have other rights which vary from state to state.

For replacements under CNC's limited lifetime warranty, contact your authorized CNC dealer who will arrange for inspection of the cabinet. A dated sales receipt as proof of purchase is required to obtain benefits from this warranty, if you have difficulty reaching your dealer, you may reach out to CNC Cabinetry directly.





**Headquarters**

101 Kentile Rd  
South Plainfield, NJ 07080

**South East**

4501 Homerun Blvd. # 300  
Davenport, FL 33837

**Mid Atlantic**

2000 Nazareth Church Rd  
Spartanburg, SC 29301

**West Coast**

2770 North Lamb Blvd  
Las Vegas, NV 89115

**South West**

2300 East Bardin Rd  
Arlington, TX 76018